

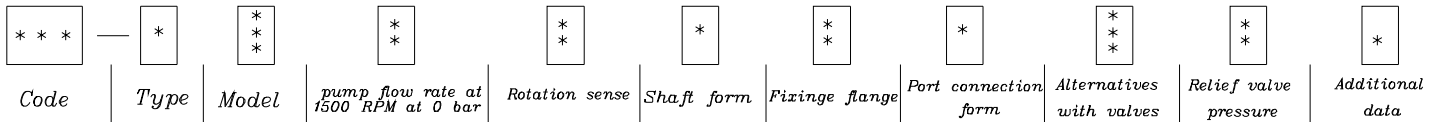
1

ARAFAN NAEIN CO.
Precision, Speed, Quality in Producing Hydraulic Gear Pump



Coding system model L0

101....299	-	1	Lo	5	C	E	10	F	V	2	B
***		*	**	**	*	**	*	**	**	**	*



101.....299 Code

1	Without pulley
2	With pulley

L0	Single	
LMO	Multiple -banked	Lo+Lo

Lo	1.5-3-5-7.5-10
----	----------------

C	Clockwise
CC	Counterclockwise
R	Reversible

Lo	B-C-G-E-J-Z
----	-------------

Pulley type	
Lo	P-R-S-T

Lo	01-09-10-22-27
----	----------------

Additional data

Lo	pre-set	1	5 to 80bar
		2	80 to 175bar
		3	175 to 250bar

Lo	V	Relief valve
----	---	--------------

Lo	T-R-F- Etc.
	T R F



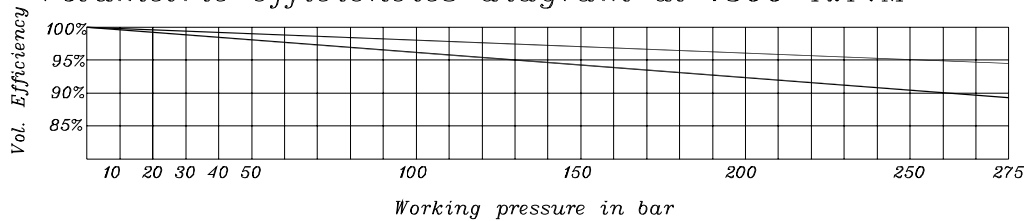
General specification model L0

Hydraulic technical data

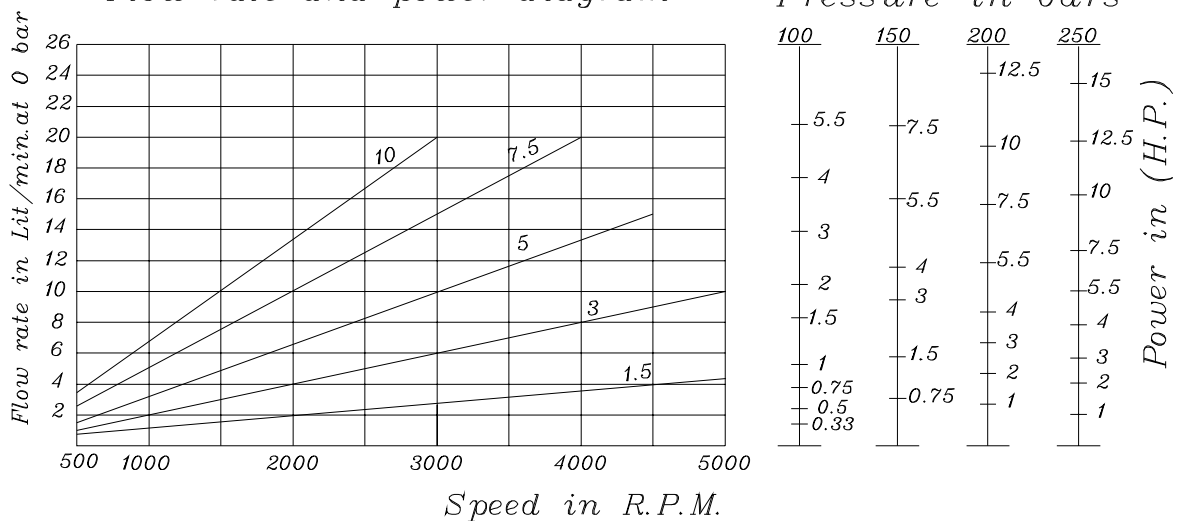
Gear Pump Model- L0

Pump Flow RATE (Lit/Min) at 1500 R.P.M	1.5	3	5	7.5	10	
DISPLACEMENT (CC/rev)	1	2	3.3	5	6.6	
Cont. MAX. PRESSURE (bar)	275		250	185	135	
INTERMITTENT MAX. PRESSURE (bar)	300		275	200	150	
R.P.M AT CONT.PRESSURE	5000		4000	3000		
MAX. R.P.M	6000		5000	4000	3000	
MIN. R.P.M AT GIVEN PRESSURES	100bar	1000		750	500	
	175bar	1500	1250		1000	+
	250bar	2000	1750	1500	+	+
	300bar	3000	2000	+	+	+

Volumetric efficiencies diagram at 1500 R.P.M



Flow rate and power diagram



NOTE : The results have been obtained with 5° E(37cSt) viscosity oil and at 50° C



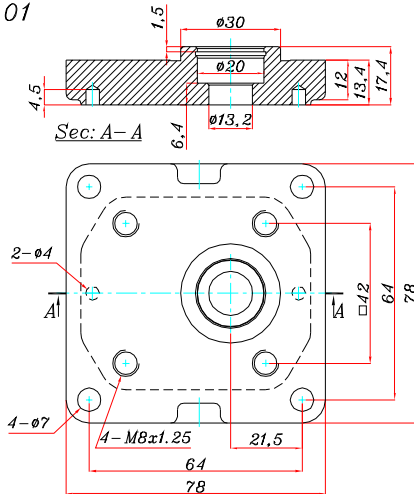
General specification model L0

<i>pump flow rate at 1500 RPM at 0 bar</i>	<i>MAX Pressure (bar)</i>	<i>MAX Speed (RPM)</i>	<i>MIN Speed (RPM)</i>
<i>1L01.5</i>	<i>300</i>	<i>6000</i>	<i>1000</i>
<i>1L03</i>	<i>300</i>	<i>6000</i>	<i>1000</i>
<i>1L05</i>	<i>275</i>	<i>5000</i>	<i>750</i>
<i>1L07.5</i>	<i>200</i>	<i>4000</i>	<i>500</i>
<i>1L010</i>	<i>150</i>	<i>3000</i>	<i>500</i>

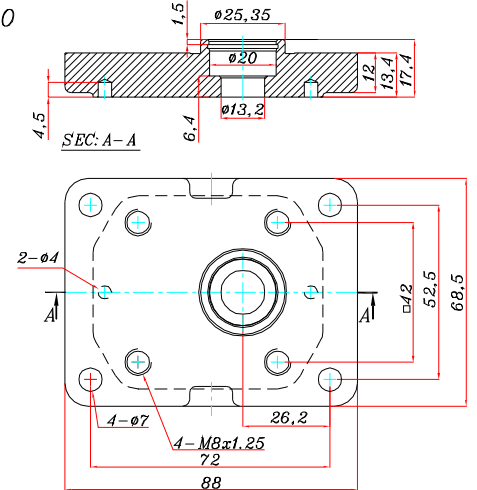


Flange type model L0

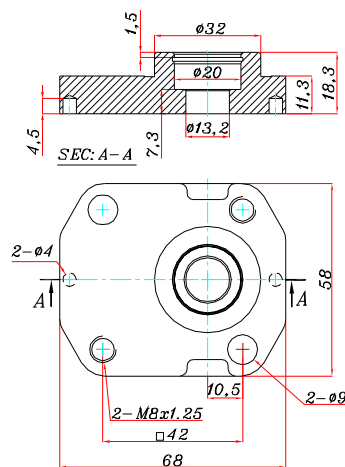
FLANGE TYPE. 01



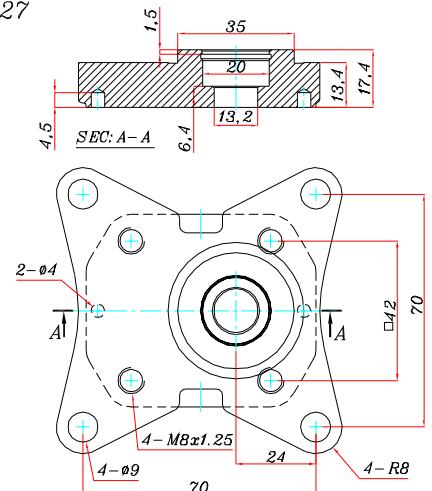
FLANGE TYPE. 10



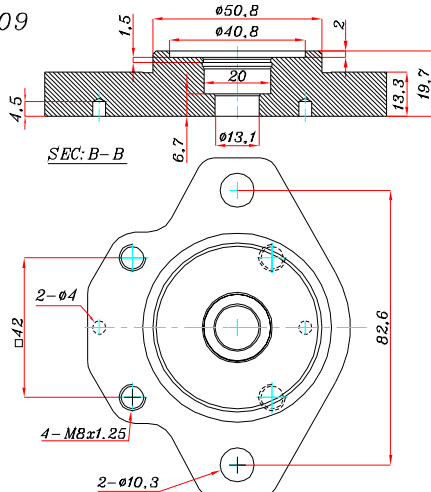
FLANGE TYPE. 22



FLANGE TYPE. 27



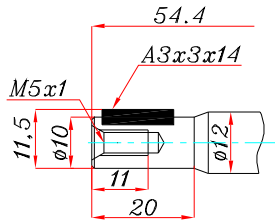
FLANGE TYPE. 09



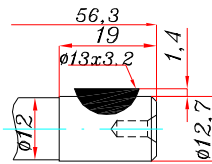


Shaft type model L0

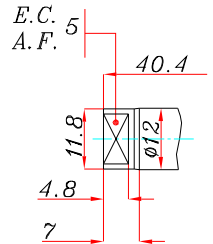
SHAFT C01



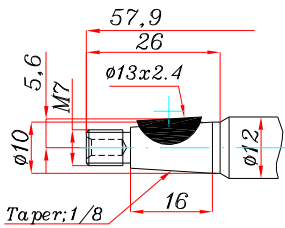
SHAFT C02



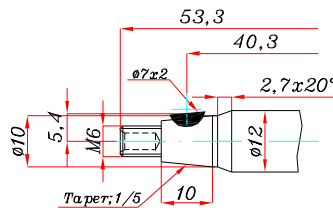
SHAFT B01



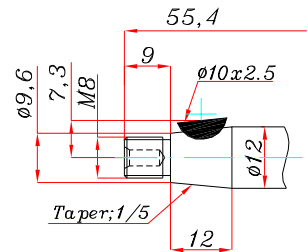
SHAFT E01



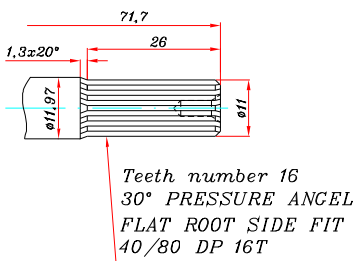
SHAFT J01



SHAFT Z01



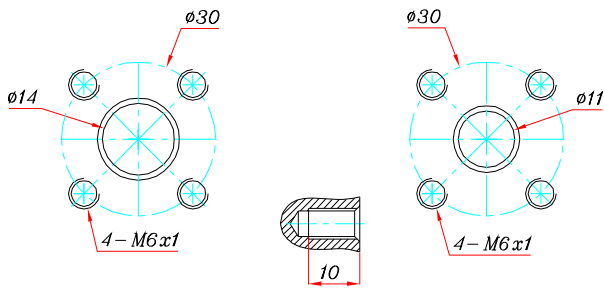
SHAFT G01



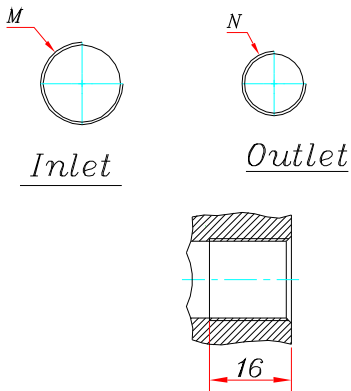


Outlet & inlet type model L0

Model: F 101

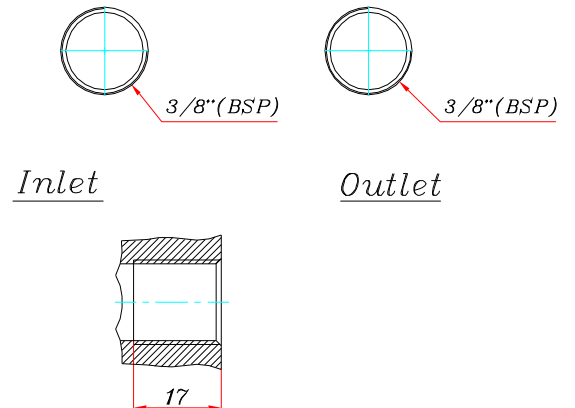


Model: R 101



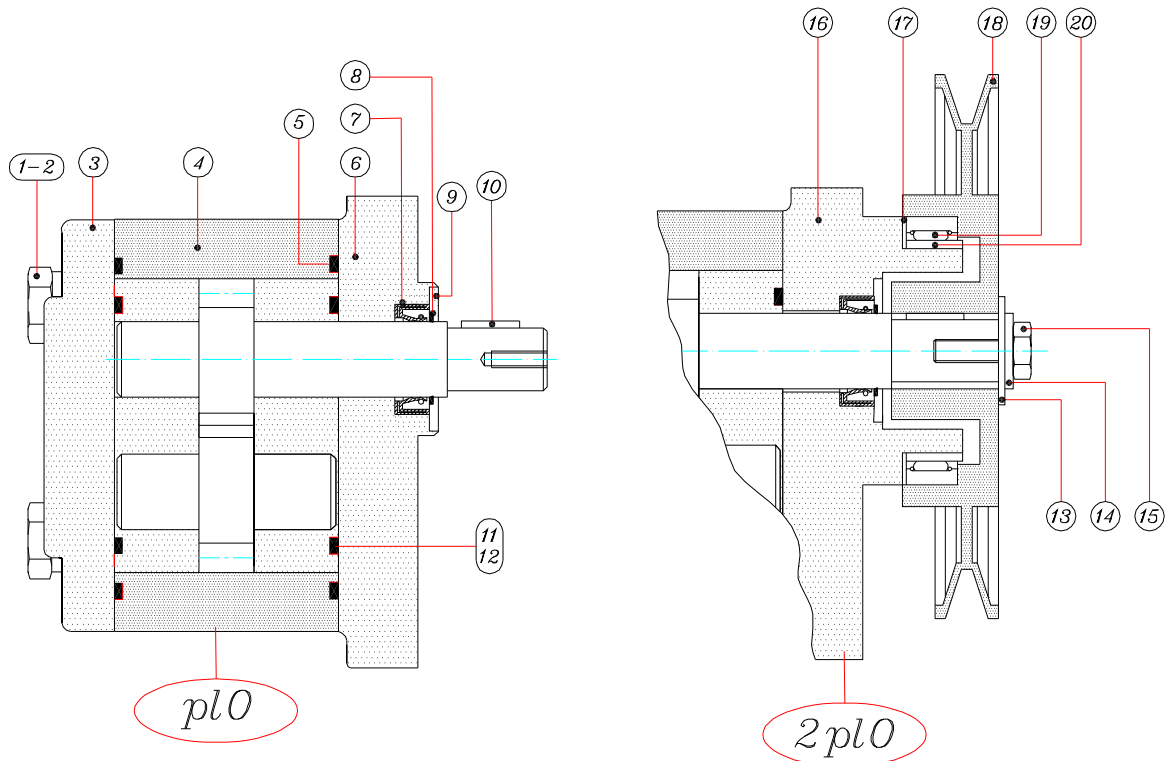
Litr	M (BSP)	N (BSP)
1.5	3/8"	1/4"
3	3/8"	1/4"
5	3/8"	1/4"
7.5	1/2"	3/8"
10	1/2"	3/8"

Model: R 102





Assembly pump model LO



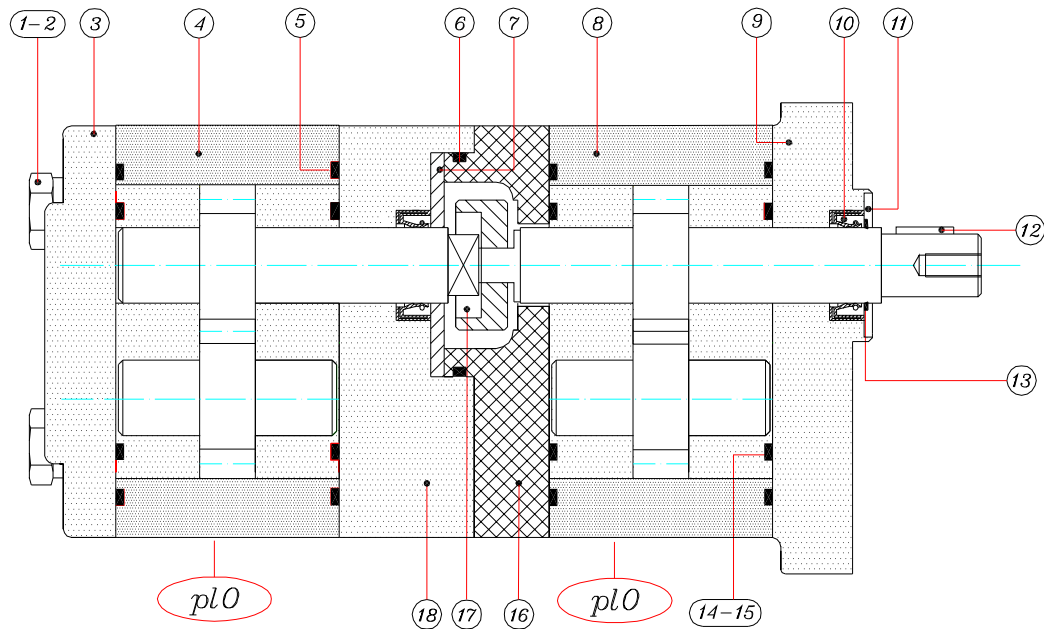
The set mark 4 consists of:
1- pump housing
2- Bearings
3- Driving gear
4- Driven gear

No.	Description	Qty
1	Screws M 8	4
2	Washer $\phi 8$ DIN-6797	4
3	Back cover	1
4	Pump housing sub-assembly	1
5	Gasket	2
6	Flange	1
7	Oil seal	1
8	Circlip	1
9	Guid gasket	1
10	Key	1

No.	Description	Qty
11	Gasket	2
12	Anti-extrusion gasket	2
13	Washer	1
14	Safety washer	1
15	Screw M5x15 DIN-933	1
16	Flange	1
17	Washer	1
18	Pulley	1
19	Needle bearing	1
20	Bearing ring	1



Assembly double pump model LMO



Part numbers 4-9 consists of:

- 1- pump housing
- 2- Bearings
- 3- Driving gear
- 4- Driven gear

No.	Description	Qty
1	Screws M 8	4
2	Washer $\phi 8$ DIN-6797	4
3	Back cover	1
4	Pump housing sub-assembly	1
5	Gasket	4
6	O-ring $\phi 27.7 \times 2$	1
7	Oil seal-washer	1
8	Pump housing sub-assembly	1
9	Flange	1
10	Oil seal	2

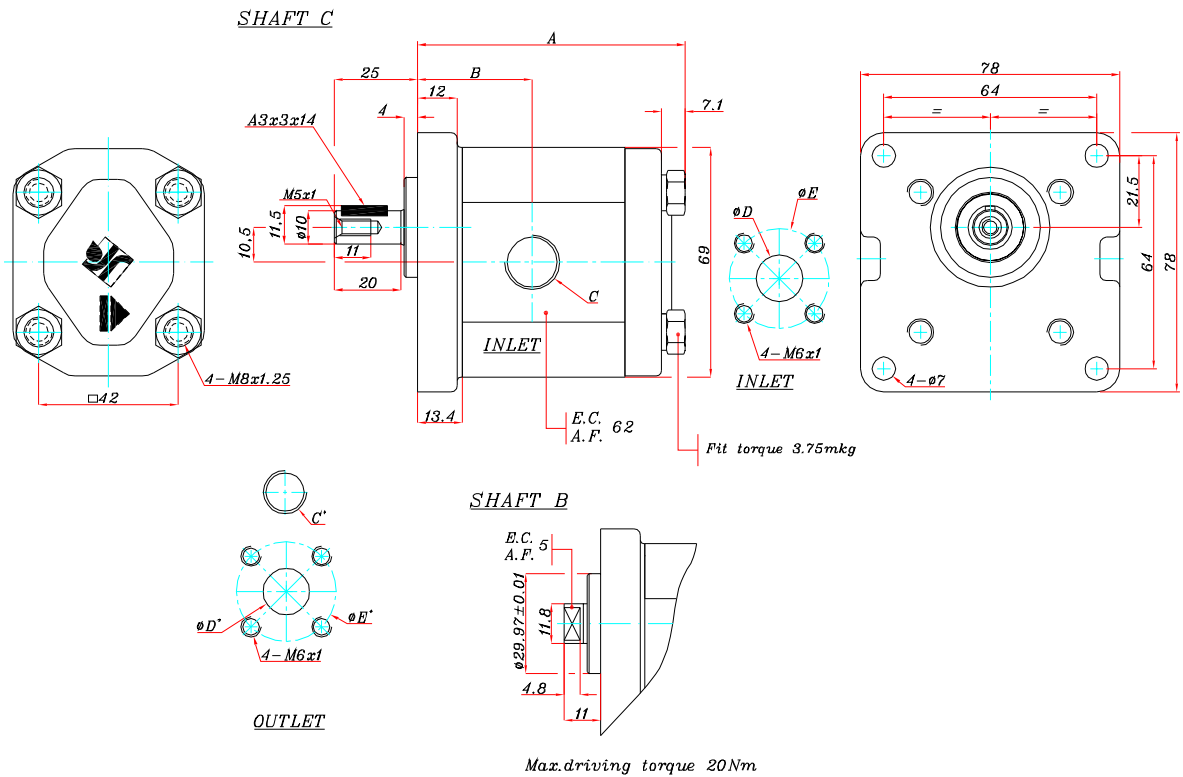
No.	Description	Qty
11	Guide gasket	1
12	Key	1
13	Circlip	1
14	Gasket	4
15	Anti-extrusion gasket	4
16	Double pump Flange	1
17	Coupling	1
18	Double pump flange(oil seal)	1



Pump with flange type 01
Model L0

101-1L0...(C/CC)C01R

SHAFT B&C(01)
OUTLET & INLET R 101
FLANGE 01



Model	A	B	Outlet			Inlet			Weight
			C'	D'	E'	C	D	E	
101-1L01.5C▲01R	68.7	31	1/4"	11	30	3/8"	14	30	
101-1L03C▲01R	73.8	31							
101-1L05C▲01R	80.5	34.5	3/8"	11	30	1/2"	14	30	
101-1L07.5C▲01R	89.3	37.5							
101-1L010C▲01R	97.5	42.8							

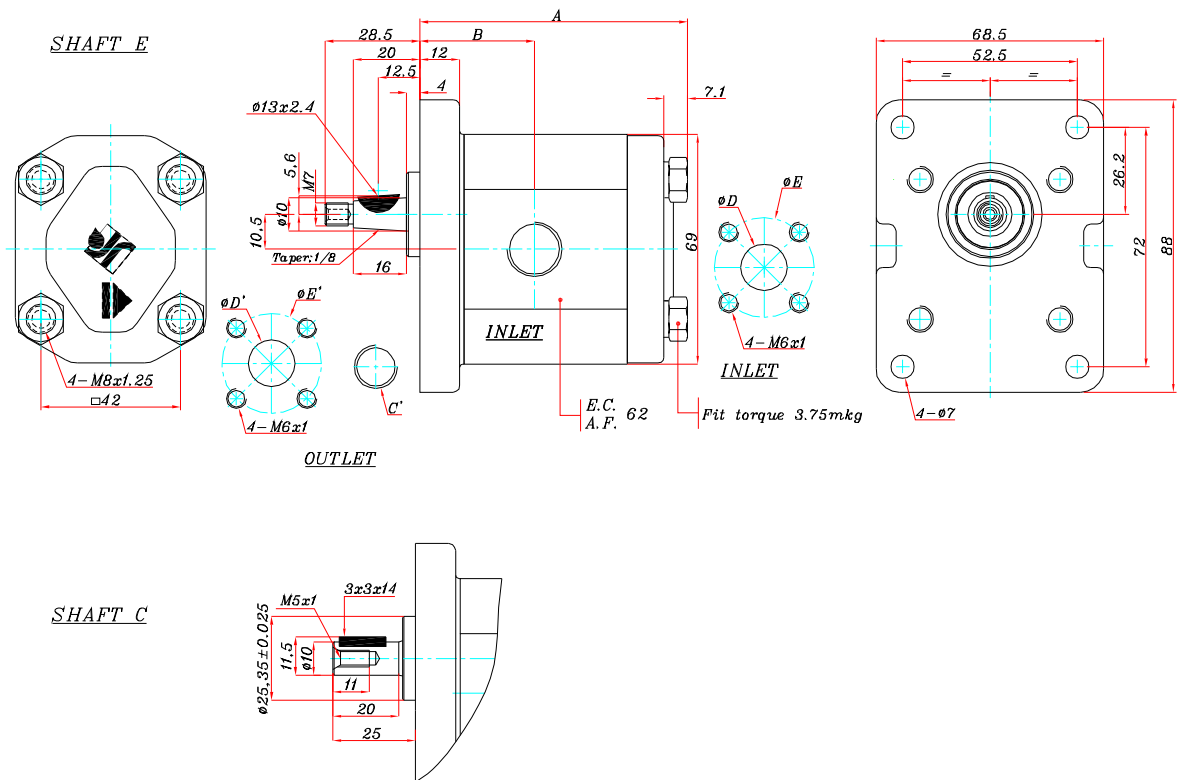
In the reversible pumps, threaded ports available R only, both ports same dimension that corresponds to the suction dimension. The drawing above shows a pump turning clockwise. For anti-clockwise rotation sense, replace C by CC in which case suction and pressure ports shall be inverted.



Pump with flange type 10
Model L0

101-1L0....(C/CC)E10R

SHAFT C&E(01)
OUTLET & INLET R&F(01)
FLANGE 10



Model	A	B	Outlet			Inlet			Weight
			C'	D'	E'	C	D	E	
101-1L01.5C▲10R	68.7	31	1/4"	11	30	3/8"	14	30	
101-1L03C▲10R	73.8	31							
101-1L05C▲10R	80.5	34.5	3/8"	11	30	1/2"	14	30	
101-1L07.5▲10R	89.3	37.5							
101-1L010C▲10R	97.5	42.8							

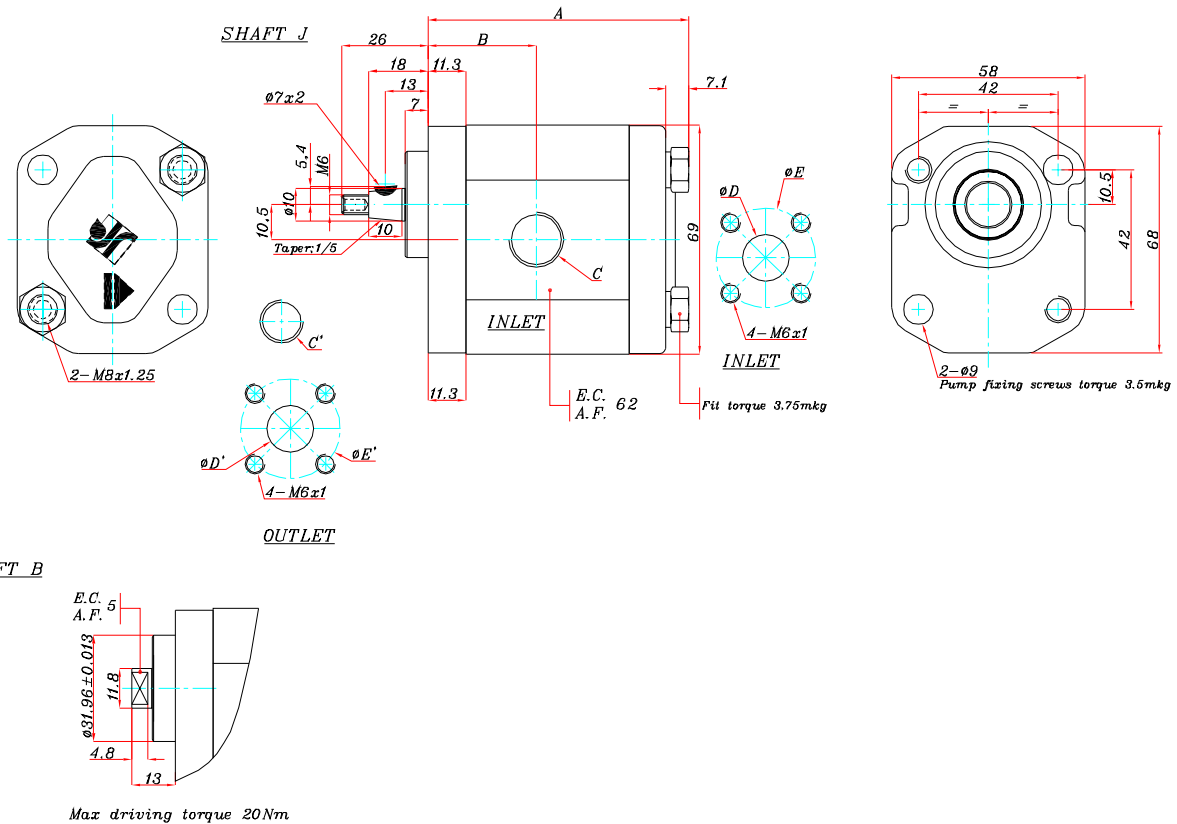
In the reversible pumps, threaded ports available R only, both ports same dimension that corresponds to the suction dimension. The drawing above shows a pump turning clockwise. For anti-clockwise rotation sense; replace C by CC in which case suction and pressure ports shall be inverted.



Pump with flange type 22
Model L0

101-1L0....(C/CC)J22R

SHAFT B&J(01)
OUTLET & INLET R&F(01)
FLANGE 22



Model	A	B	Outlet			Inlet			Weight
			C'	D'	E'	C	D	E	
101-1L01.5C▲22R	66.6	28.9							
101-1L03C▲22R	71.7	28.9	1/4"			3/8"			
101-1L05C▲22R	78.4	32.4		11	30		14	30	
101-1L07.5C▲22R	87.2	35.4	3/8"			1/2"			
101-1L010C▲22R	95.4	40.7							

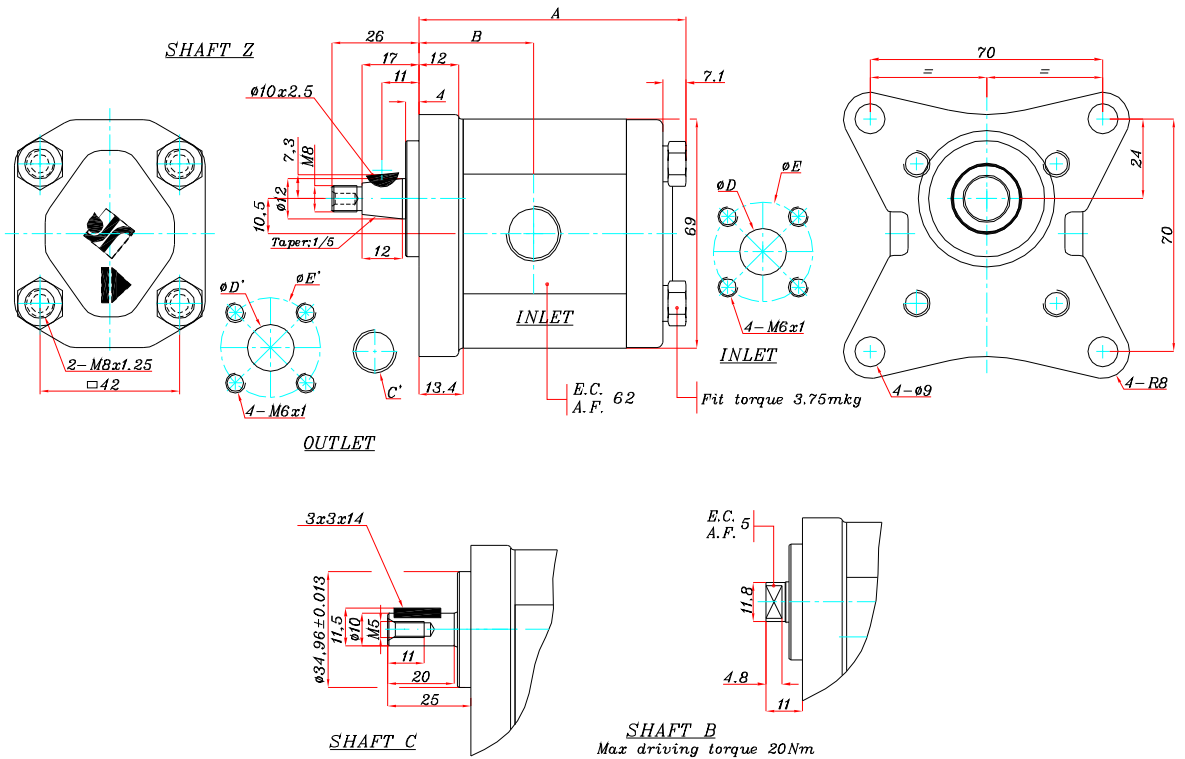
In the reversible pumps, threaded ports available R only. both ports same dimension that corresponds to the suction dimension. The drawing above shows a pump turning clockwise. For anti-clockwise rotation sense; replace C by CC in which case suction and pressure ports shall be inverted.



Pump with flange type 27
Model L0

101-1L0....(C/CC)Z27R

SHAFT B&C&Z(01)
OUTLET & INLET R&F(101)
FLANGE 27



Model	A	B	Outlet			Inlet			Weight
			C'	D'	E'	C	D	E	
101-1L01.5C▲27R	68.7	31							
101-1L03C▲27R	73.8	31	1/4"	11	30	3/8"	14	30	
101-1L05C▲27R	80.5	34.5							
101-1L07.5C▲27R	89.3	37.5	3/8"			1/2"			
101-1L010C▲27R	97.5	42.8							

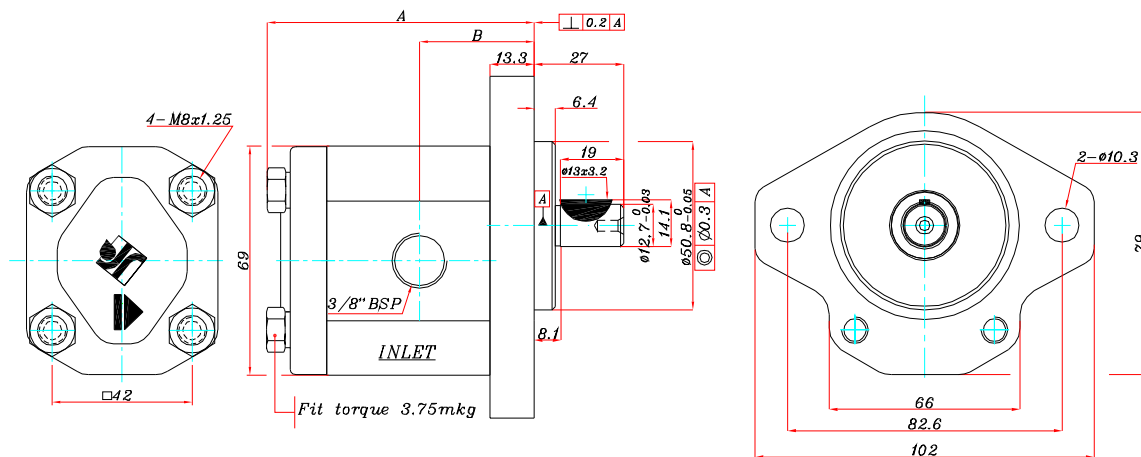
In the reversible pumps, threaded ports available R only, both ports same dimension that corresponds to the suction dimension. The drawing above shows a pump turning clockwise. For anti-clockwise rotation sense, replace C by CC in which case suction and pressure ports shall be inverted.



Pump with flange type 09
Model L0

102-1L0...(C/CC)C09R

SHAFT C(C02)
OUTLET & INLET R(102)
FLANGE 09



Model	B	A
102-1L01.5CC09R	31	68.7
102-1L03CC09R	31	73.8
102-1L05CC09R	34.5	80.5
102-1L07.5CC09R	37.5	89.3
102-1L010CC09R	42.8	97.5

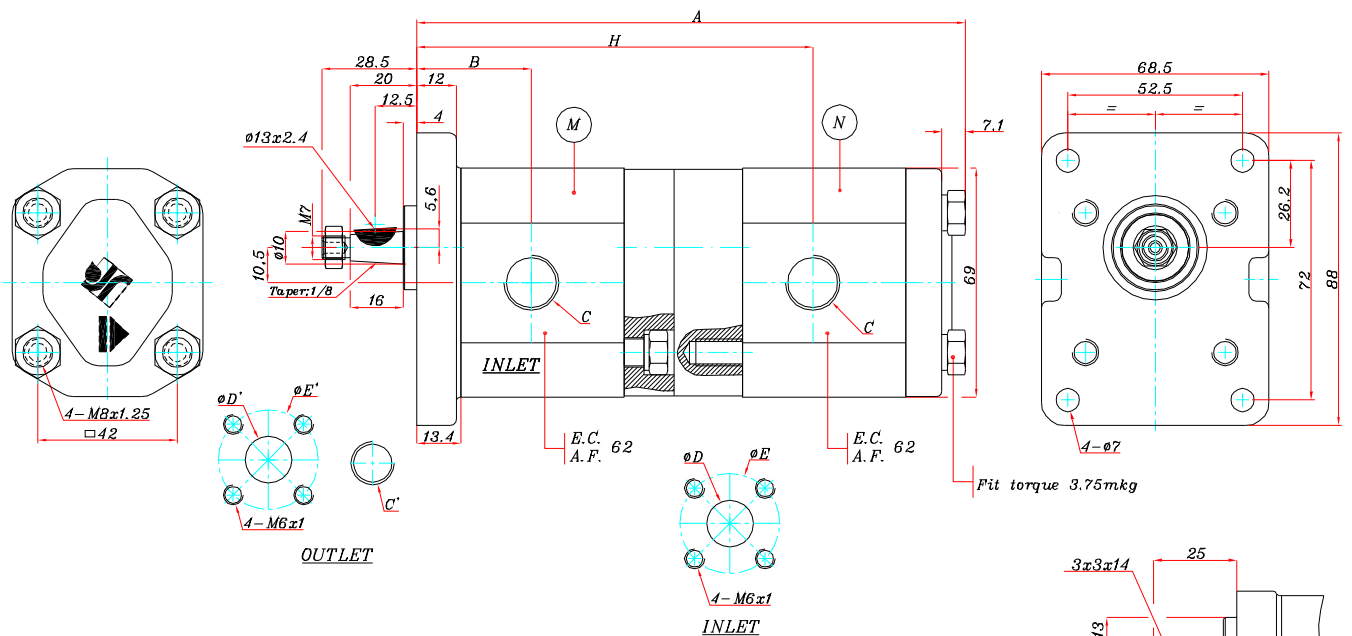
In the reversible pumps , threaded ports available R only .both ports same dimension that corresponds to the suction dimension
The drawing above shows a pump turning clockwise .For anti -clockwise rotation sense ;replace C by CC in which case suction and pressure ports shall be inverted



Double pump with flange type 10
Model LMO

101-1LMO....(C/CC)E10R

SHAFT C&E(01)
OUTLET & INLET R&F(101)
FLANGE 10



Model	A	H	B	Outlet			Inlet			Weight
				C'	D'	E'	C	D	E	
101-1LM01.5-1.5C▲10R	141.6	103.9	31	1/4"	11	30	3/8"	14	30	
101-1LM03-1.5C▲10R	146.7	109	31							
101-1LM03-3C▲10R	151.8	109	31							
101-1LM05-1.5C▲10R	153.4	115.7	34.5							
101-1LM05-3C▲10R	158.5	115.7	34.5							
101-1LM05-5C▲10R	165.2	119.2	34.5							
101-1LM07.5-1.5C▲10R	162.2	124.5	37.5	3/8"	11	30	1/2"	14	30	
101-1LM07.5-3C▲10R	167.3	124.5	37.5							
101-1LM07.5-5C▲10R	174	128	37.5							
101-1LM07.5-7.5C▲10R	182.8	131	37.5							
101-1LM010-1.5C▲10R	170.4	132.7	42.8							
101-1LM010-3C▲10R	175.5	132.7	42.8							
101-1LM010-5C▲10R	182.2	136.2	42.8							
101-1LM010-7.5C▲10R	191	139.2	42.8							
101-1LM010-10C▲10R	199.2	144.5	42.8							

In the reversible pumps, threaded ports available R only, both ports same dimension that corresponds to the suction dimension. The drawing above shows a pump turning clockwise. For anti-clockwise rotation sense, replace C by CC in which case suction and pressure ports shall be inverted.