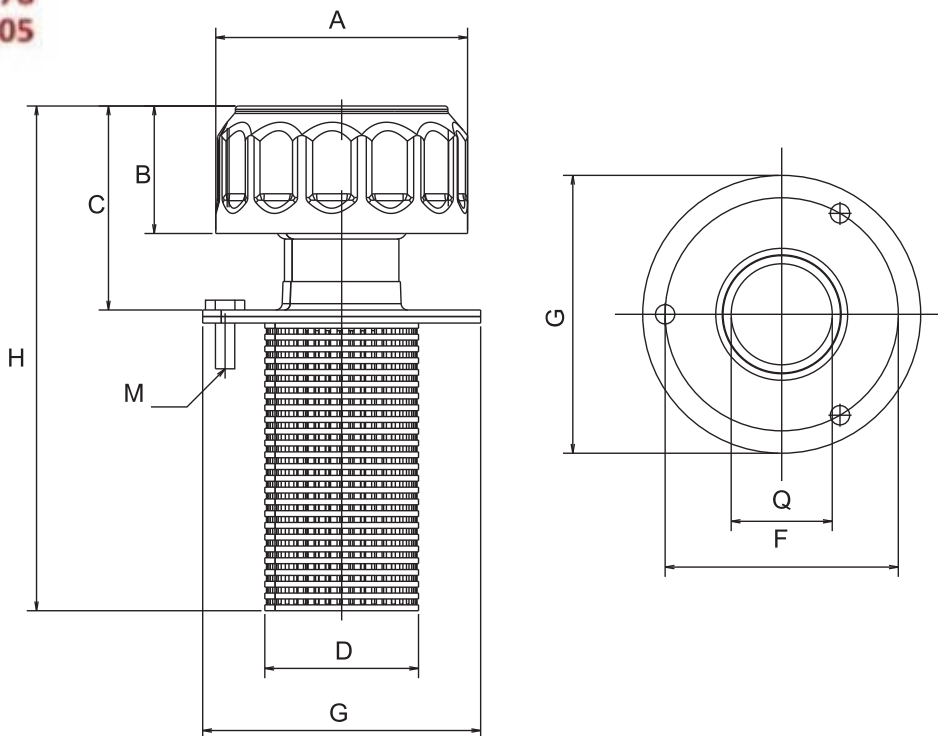
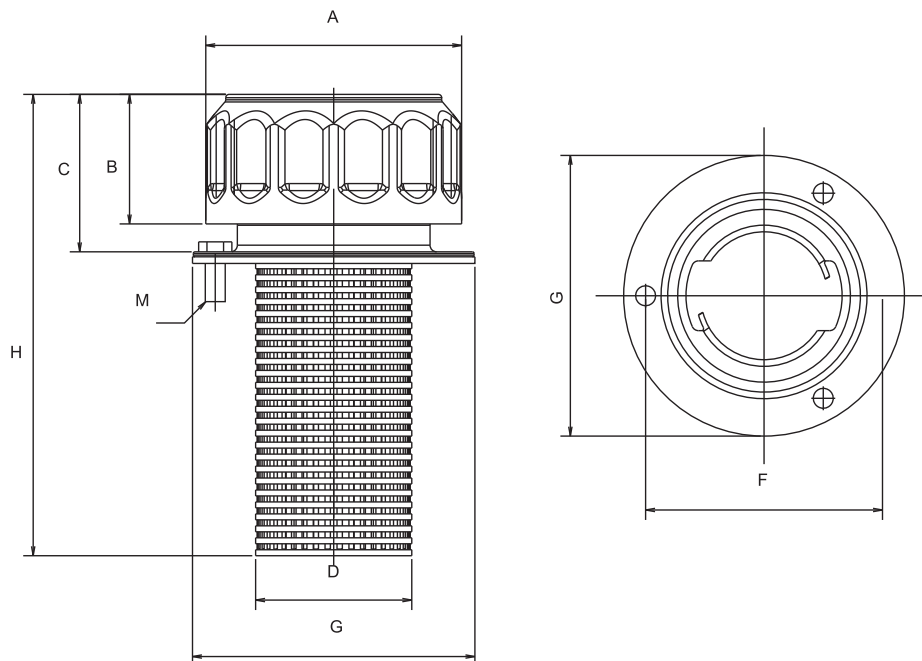


SCREW TYPE



CLIPS TYPE



HYDRAULIC TANK TAP

PLASTIC FILTER

CODE	A	B	C	D	F	G	H	M	Q
DK Small Tank Tap Cromaged and Screwed	45,5	38	52	28	42	52	119,5	M4	1/2"
DKBKB Big Tank Tap Painted & Clipped	77	41	48	50	70,5	86	156	M5	--
DKBKK Big Tank Tap Cromaged & Clipped	77	41	48	50	70,5	86	156	M5	--
DKBVB Big Tank Tap Painted & Screwed	77	41	64	50	70,5	86	143	M5	1 1/4"
DKBVK Big Tank Tap Cromaged and Screwed	77	41	64	50	70,5	86	143	M5	1 1/4"