

MDT

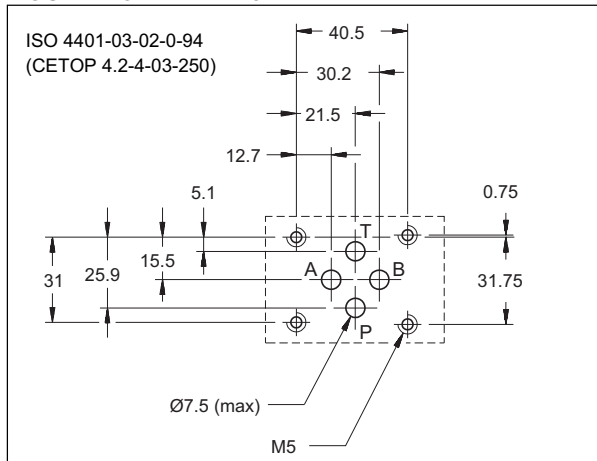
POPPET TYPE SOLENOID OPERATED DIRECTIONAL CONTROL VALVE

SERIES 10

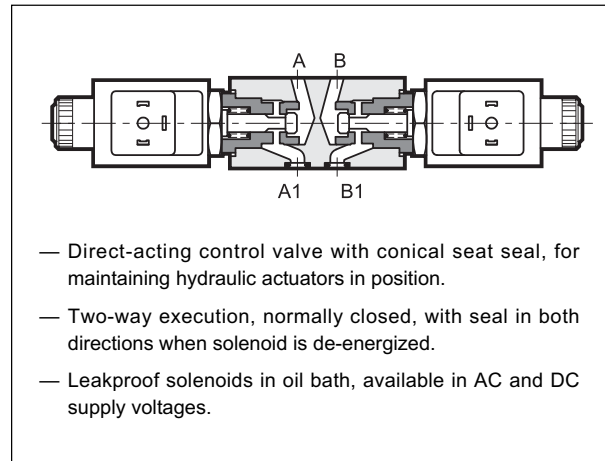
MODULAR VERSION
ISO 4401-03 (CETOP 03)

p max **250** bar
Q max **25** l/min

MOUNTING INTERFACE



OPERATING PRINCIPLE



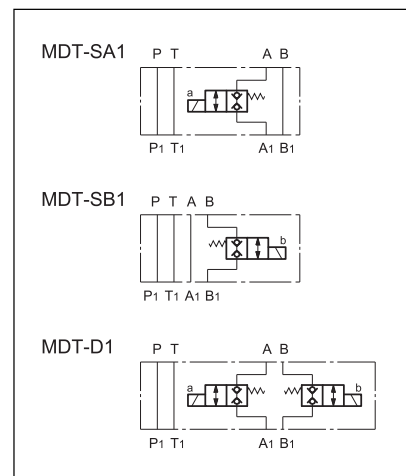
VALVE CONFIGURATIONS (see Hydraulic symbols table)

Configuration "SA": utilized when line A flow is to be controlled.
 Configuration "SB": utilized when line B flow is to be controlled.
 Configuration "D": utilized when flows of lines A and B are to be controlled

PERFORMANCE RATINGS (working with mineral oil of viscosity of 36 cSt at 50°C)

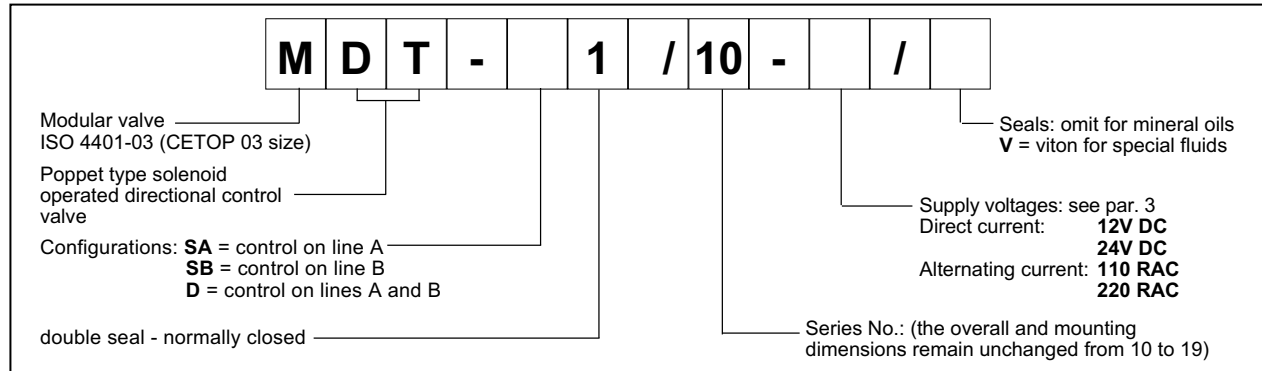
Maximum operating pressure	bar	250
Maximum flow rate in controlled lines	l/min	25
Maximum flow rate in free lines		65
Ambient temperature range	°C	-20 / +50
Fluid temperature range	°C	-20 / +80
Fluid viscosity range	cSt	10 ÷ 400
Fluid contamination degree	According to ISO 4406:1999 class 20/18/15	
Recommended viscosity	cSt	25
Mass	kg	
MDT-D		1,7
MDT-SA/SB		1,2

HYDRAULIC SYMBOLS



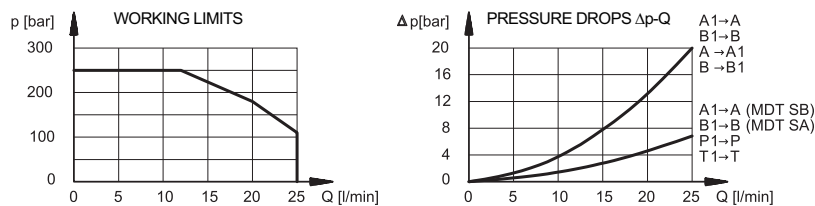


1 - IDENTIFICATION CODE



NOTE: The solenoid valves are never supplied with connector. Connectors must be ordered separately. To identify the connector type to be ordered, please see catalogue 49 000.

2 - CHARACTERISTIC CURVES (values obtained with viscosity 36 cSt at 50°C)



3 - SUPPLY VOLTAGES

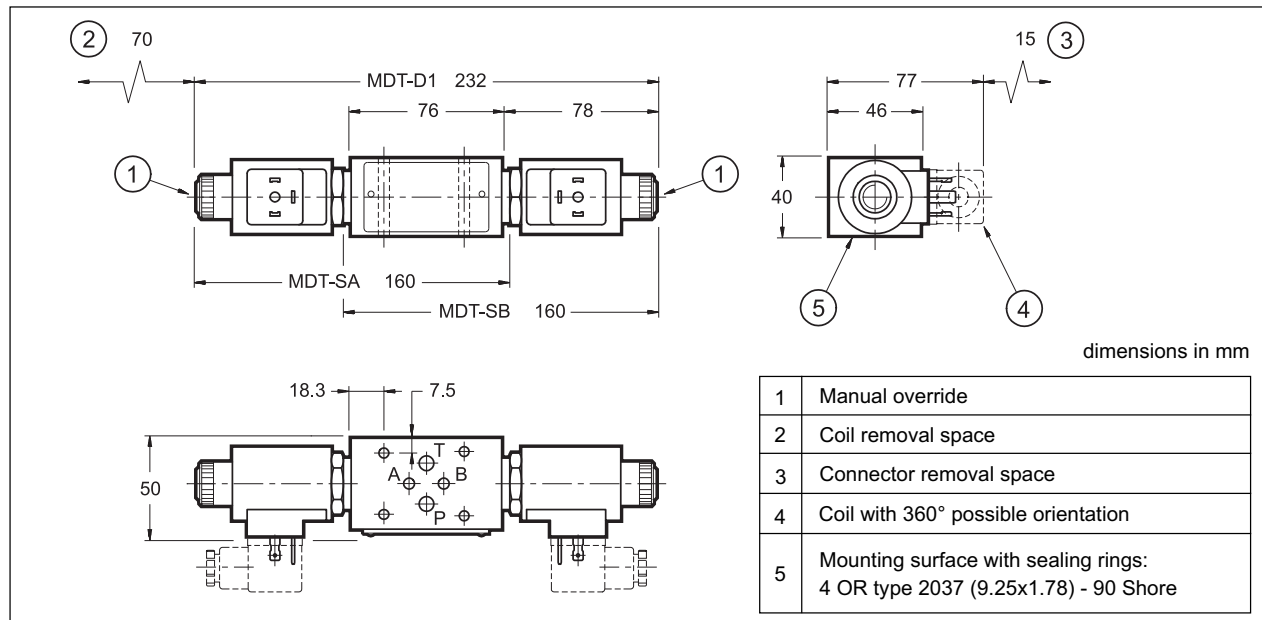
A connector with bridge rectifier and RAC coils are always used for alternating current supply.

Times ±10%	
Energizing	30 ms
De-energizing	50 ms

4 - HYDRAULIC FLUIDS

Use mineral oil-based hydraulic fluids HL or HM type, according to ISO 6743-4. For these fluids, use NBR seals. For fluids HFDR type (phosphate esters) use FPM seals (code V). For the use of other kinds of fluid such as HFA, HFB, HFC, please consult our technical department. Using fluids at temperatures higher than 80 °C causes a faster degradation of the fluid and of the seals characteristics. The fluid must be preserved in its physical and chemical characteristics.

5 - OVERALL AND MOUNTING DIMENSIONS



	<p>DUPLOMATIC OLEODINAMICA SpA 20025 LEGNANO (MI) - P.le Bozzi, 1 / Via Edison Tel. 0331/472111-472236 - Fax 0331/548328</p>
--	---