



# + GEC

## 2-WAY HIGH PRESSURE BALL VALVES

 [www.khadamathydraulic.com](http://www.khadamathydraulic.com)  
 Tell: 021-55882749  
 Tell: 021-33488178  
 Fax: 021-33488105



### CARBON STEEL

- Type: ball valve GEC 2 way 
- Body: square
- Material: 1,0737
- Ball seats: from DN6 up to DN25
- O-Rings: NBR, FKM, EPDM, MVQ
- Operating pressure: 500 Bar depending on valve size and seal materials selected
- Temp range: -20°C to +100°C depending on seal material selected

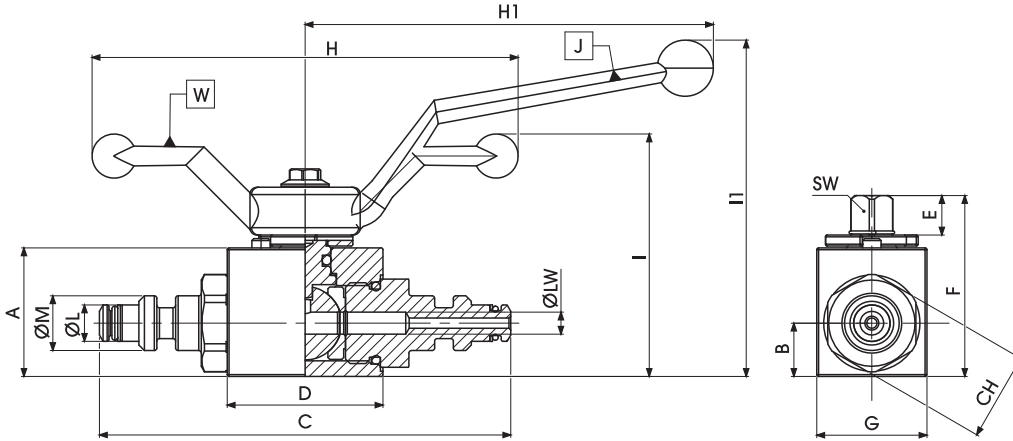
GEC	SAE8 M			DN13	1	1	1	1	A	B
Type and way of valve	Valves dimension of pressure (psi)			Nominal dimension	Body material	Adapter material	Stem material	Ball material	Ball seat material	Adapter and stem seal material
GEC 2-way	MALE	FEMALE	MALE-FEMALE	DN6	1 1,0737	1 1,0737	1 1,0737	1 1,0737	A POM	B NBR
	SAE4	SAE4	SAE4	DN20					D PEEK	E FKM
	SAE6	SAE6	SAE6	DN10					G PA612	F EPDM
	SAE8	SAE8	SAE8	DN13					K GEMPTFE	L MVQ
	SAE12	SAE12	SAE12	DN20					C PTFE	
	SAE16	SAE16	SAE16	DN25						





# 2-WAY HIGH PRESSURE BALL VALVES

Specialist in Ball Valves



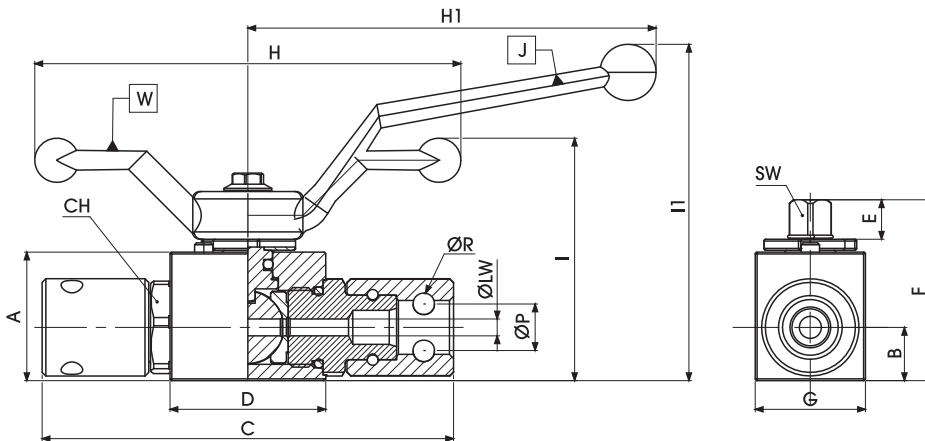
(\*\*\*) ABOUT HANDLE, THE FINAL CODE WILL BE:  
 000 STANDARD HANDLE (J)  
 021 BUTTERFLY HANDLE (W)  
 FROM DN6 TO DN25

## GEC MALE SAEJ1467

Standard

CARBON STEEL

TYPE	PN	DN	A	B	C	D	E	F	G	H	H1	I	I1	ØL	ØM	CH	SW	ØLW	KG	ITEM CODE
GEC SAE4	50 MPa	6	35	42	112	42,4	11	49	30	116	110	66	91,5	10	15	24	9	6	0,584	GE2MCE05011A(***)
GEC SAE6	50 MPa	10	40	44	115	44,4	11	54,25	35	116	110	71	96,5	14	20	30	9	10	0,766	GE2MCE15011A(***)
GEC SAE8	50 MPa	13	43	48	117	48,4	11	57	37	116	110	74	99,5	18	24	32	9	13	0,891	GE2MCE25011A(***)
GEC SAE12	40 MPa	20	55	62	133	62,5	14	73,5	45	116	180	87	106,5	24	29	41	14	20	1,565	GE2MCE34011A(***)
GEC SAE16	35 MPa	25	65	66,5	151,5	66,5	14	83,5	55	116	180	97	116,5	31	39	50	14	25	2,396	GE2MCE43011A(***)



(\*\*\*) ABOUT HANDLE, THE FINAL CODE WILL BE:  
 000 STANDARD HANDLE (J)  
 021 BUTTERFLY HANDLE (W)  
 FROM DN6 TO DN25

## GEC FEMALE SAEJ1467

Standard

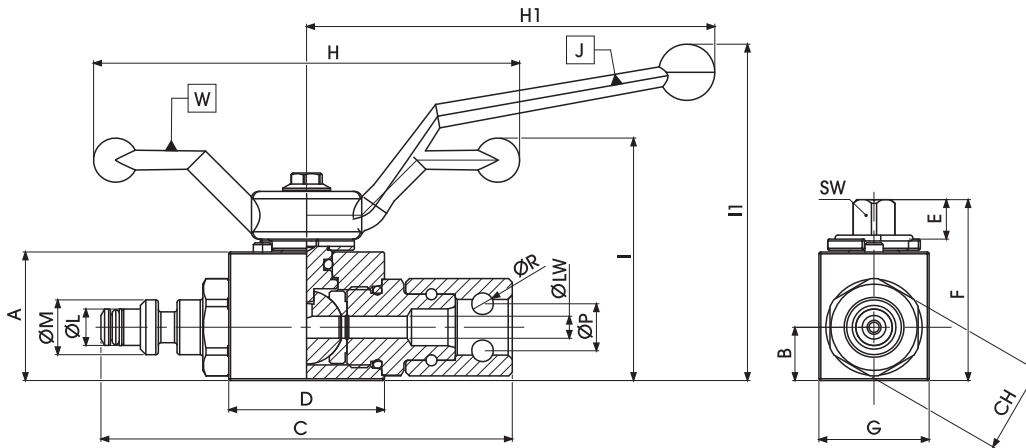
CARBON STEEL

TYPE	PN	DN	A	B	C	D	E	F	G	H	H1	I	I1	CH	ØP	ØR	SW	ØLW	KG	ITEM CODE
GEC SAE4	50 MPa	6	35	42	112	42,4	11	49	30	116	110	66	91,5	24	13	6	9	6	0,584	GE2FCE05011A(***)
GEC SAE6	50 MPa	10	40	44	115	44,4	11	54,25	35	116	110	71	96,5	30	18	6	9	10	0,766	GE2FCE15011A(***)
GEC SAE8	50 MPa	13	43	48	117	48,4	11	57	37	116	110	74	99,5	32	22	6	9	13	0,891	GE2FCE25011A(***)
GEC SAE12	40 MPa	20	55	62	133	62,5	14	73,5	45	116	180	87	106,5	41	27	6	14	20	1,565	GE2FCE34011A(***)
GEC SAE16	35 MPa	25	65	66,5	151,5	66,5	14	83,5	55	116	180	97	116,5	50	36	8,5	14	25	2,396	GE2FCE43011A(***)

# + GEC

## 2-WAY HIGH PRESSURE BALL VALVES

www.gemels.it



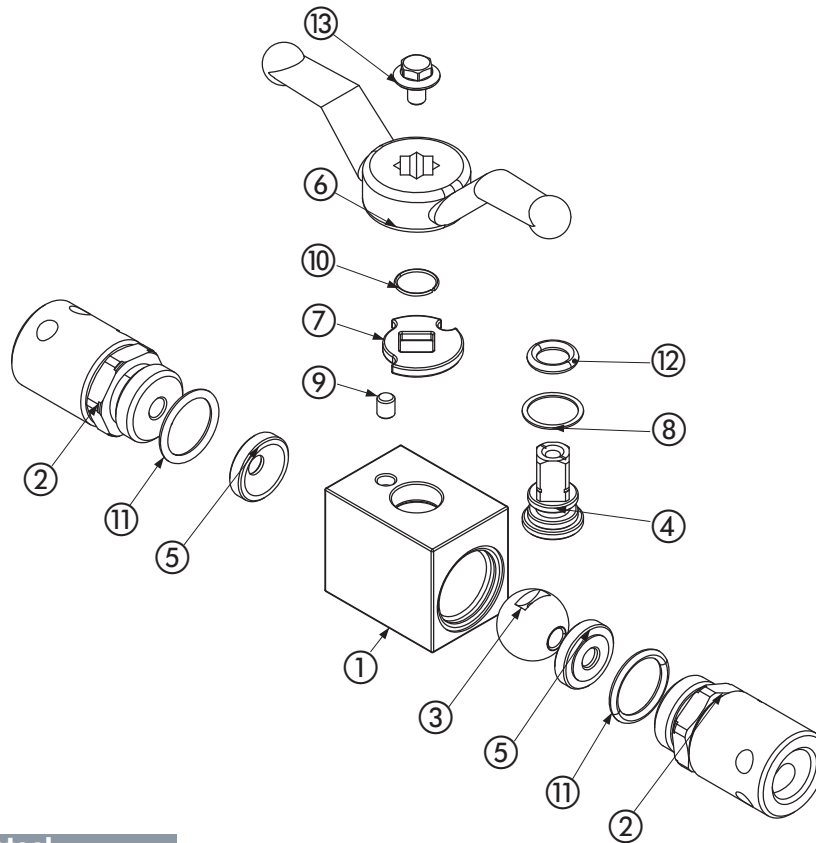
(\*\*\*)  
ABOUT HANDLE, THE FINAL CODE WILL BE:  
000 STANDARD HANDLE (J)  
021 BUTTERFLY HANDLE (W)  
FROM DN6 TO DN25

### GEC MALE FEMALE SAEJ1467

Standard

CARBON STEEL

TYPE	PN	DN	A	B	C	D	E	F	G	H	H1	I	I1	ØL	ØM	CH	ØP	ØR	SW	ØLW	KG	ITEM CODE
GEC SAE4	50 MPa	6	35	42	112	42,4	11	49	30	116	110	66	91,5	10	15	24	13	6	9	6	0,584	GE2MFE05011A(***)
GEC SAE6	50 MPa	10	40	44	115	44,4	11	54,25	35	116	110	71	96,5	14	20	30	18	6	9	10	0,766	GE2MFE15011A(***)
GEC SAE8	50 MPa	13	43	48	117	48,4	11	57	37	116	110	74	99,5	18	24	32	22	6	9	13	0,891	GE2MFE25011A(***)
GEC SAE12	40 MPa	20	55	62	133	62,5	14	73,5	45	116	180	87	106,5	24	29	41	27	6	14	20	1,565	GE2MFE34011A(***)
GEC SAE16	35 MPa	25	65	66,5	151,5	66,5	14	83,5	55	116	180	97	116,5	31	39	50	36	8,5	14	25	2,396	GE2MFE43011A(***)



### Carbon steel

Pos	Description	Material	Q.tà
1	Body	1,0737	1
2	Adapter	1,0737	2
3	Ball	1,0737	1
4	Stem	1,0737	1
5	Ball seat	POM	2
6	Handle	ZINC	1
7	Washer	1,0116	1
8	Stem ring	POM	1
9	Spine	1,0737	1
10	Seeger	1,4301	1
11	Adapter o-ring	NBR	2
12	Stem o-ring	NBR	1
13	Screw	Din 6921 8.8	1

- On request**
- Reduced bore
  - O-Ring in FKM, EPDM, HNBR, KALREZ
  - Seals in PTFE, PEEK, PA612, GEMPTFE, METAL TO METAL
  - Special threads
  - Stem in stainless steel 1,4404
  - Ball in stainless steel 1,4404
  - Pressure class up to PN50 Mpa
  - Pneumatic and electrical actuator
  - Locking device

• For further special requests please consult our technical/commercial service