
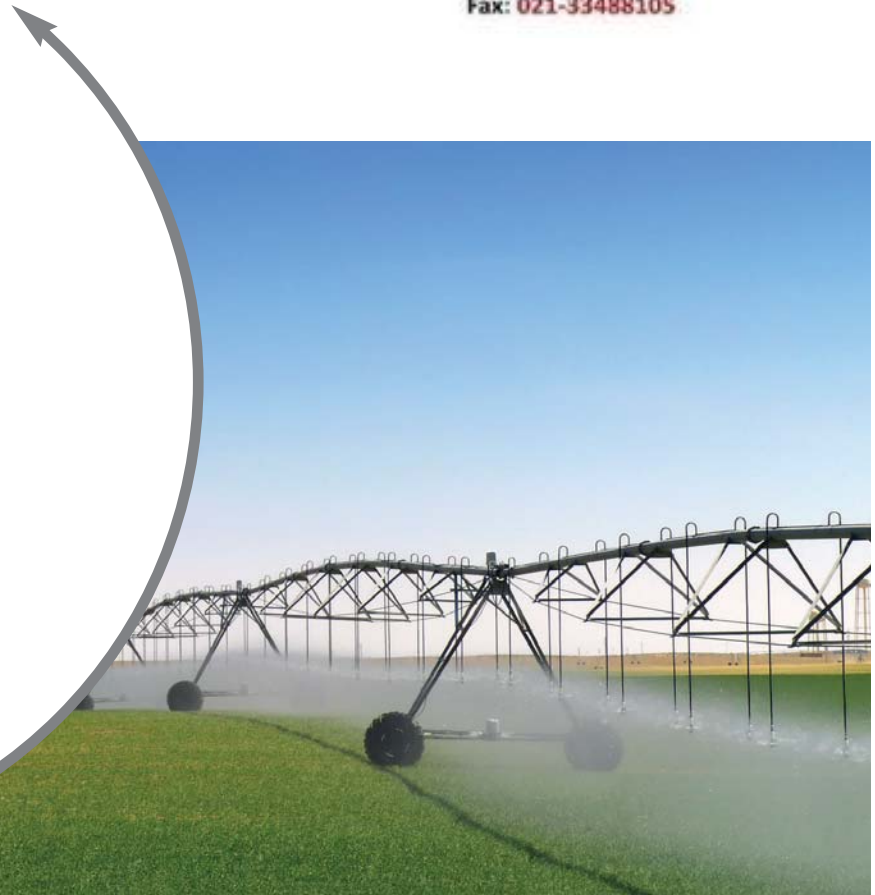


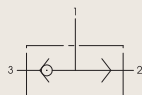
# + GEV

## SHUTTLE VALVES

 [www.khadamathydraulic.com](http://www.khadamathydraulic.com)  
 Tell: 021-55882749  
 Tell: 021-33488178  
 Fax: 021-33488105



### CARBON STEEL



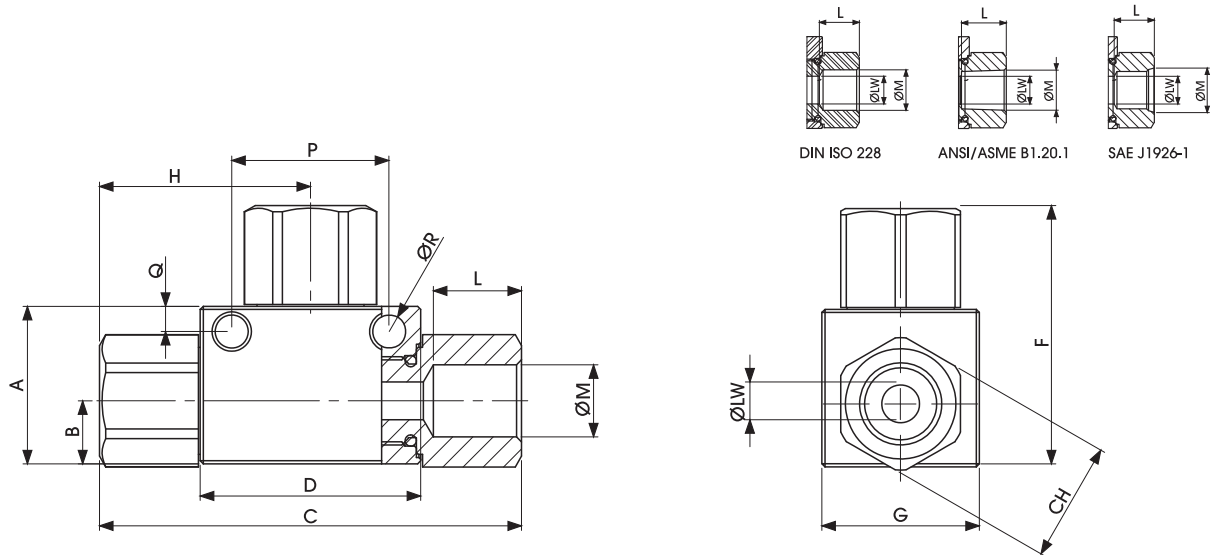
- Type: ball valve GEV 3 way
- Body: square
- Material: 1,0737
- Ball seats: from DN6 up to DN25
- Operating pressure: PN 250
- Temp range: -20°C to +100°C depending on seal material selected

GEV	G 1/2	DN13	CS
Type and way of valve	GAS DIN/ISO 228 BSP	NPT ANSI/ASME B1.20.1	Nominal dimension
GEV 3-way	G 1/8 G 1/4 G 3/8 G 1/2 G 3/4 G 1	N 1/8 N 1/4 N 3/8 N 1/2 N 3/4 N 1	Material  CS Carbon steel



# + GEV SHUTTLE VALVES

Specialist in Ball Valves



## GEV DIN/ISO 228 BSP

Standard

CARBON STEEL

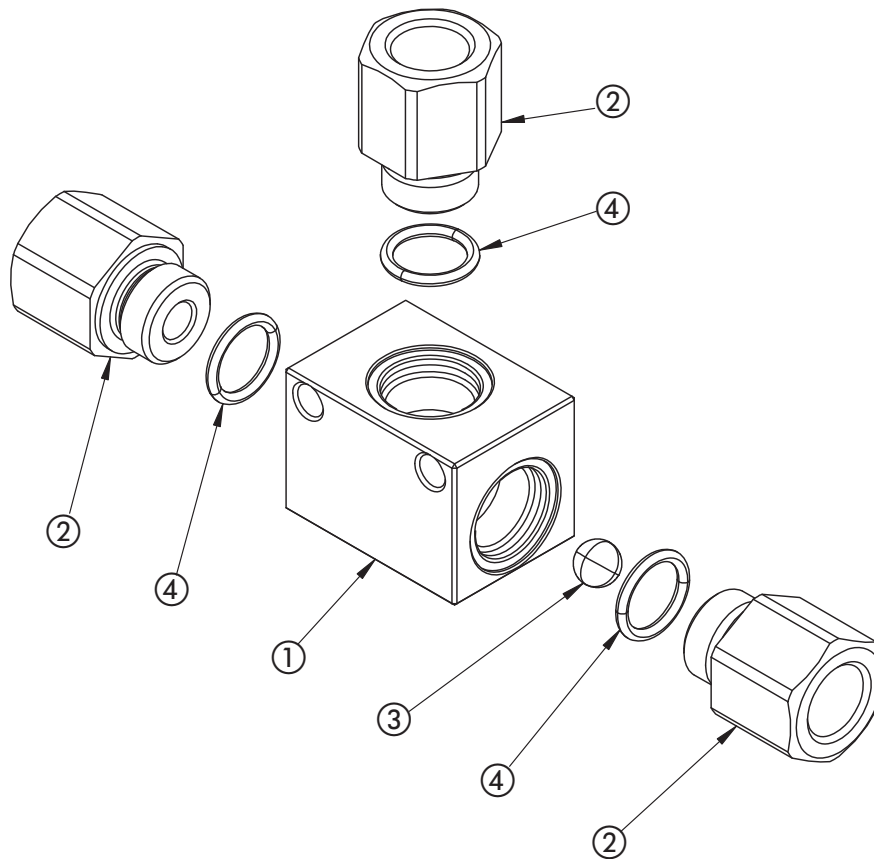
TYPE	PN	DN	A	B	C	D	F	G	H	L	ØM	ØLW	P	Q	ØR	CH	KG	ITEM CODE
GEV 1/4	25 Mpa	6	25	10	67	35	41	25	33,5	15,5	G 1/4	6	25	3,5	5,25	19	0,47	GEVGGT120110000
GEV 3/8	25 Mpa	10	40	17,4	78,6	50	54,3	35	39,3	15,5	G 3/8	10	40	5	5,25	30	0,679	GEVGGT220110000
GEV 1/2	25 Mpa	13	40	17,4	88,5	55	57,3	35	44,8	17	G 1/2	13	45	5	5,25	32	0,725	GEVGGT320110000
GEV 3/4	25 Mpa	20	55	23	107,5	75	71,5	45	53,5	21	G 3/4	20	60	6	6,25	41	1,724	GEVGGT420110000
GEV 1"	25 Mpa	25	65	31	126	80	93	60	63	24	G 1"	25	60	6	6,25	50	2,917	GEVGGT520110000

## GEV ANSI/ASME B1.20.1 NPT

Standard

CARBON STEEL

TYPE	PN	DN	A	B	C	D	F	G	H	L	ØM	ØLW	P	Q	ØR	CH	KG	ITEM CODE
GEV N 1/4	25 Mpa	6	25	10	67	35	41	25	33,5	15,5	N 1/4	6	25	3,5	5,25	19	0,47	GEVNNT120110000
GEV N 3/8	25 Mpa	10	40	17,4	78,6	50	54,3	35	39,3	15,5	N 3/8	10	40	5	5,25	30	0,679	GEVNNT220110000
GEV N 1/2	25 Mpa	13	40	17,4	88,5	55	57,3	35	44,8	17	N 1/2	13	45	5	5,25	32	0,725	GEVNNT320110000
GEV N 3/4	25 Mpa	20	55	23	107,5	75	71,5	45	53,5	21	N 3/4	20	60	6	6,25	41	1,724	GEVNNT420110000
GEV N 1"	25 Mpa	25	65	31	126	80	93	60	63	24	N 1"	25	60	6	6,25	50	2,917	GEVNNT520110000



**Carbon steel**

Pos	Description	Material	Q.tà
1	Body	1,0737	1
2	Adapter	1,0737	2
3	Ball	UNI3545	1
4	Adapter o-ring	NBR	2

*For further special requests please consult our technical/commercial service*

**On request**

- Reduced bore
- O-Ring in FKM, EPDM, HNBR, KALREZ
- Special threads
- Pressure class up to PN25 MPa



