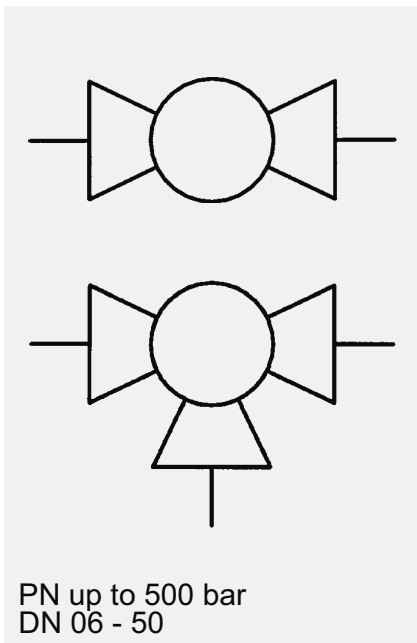


Manifold Mounted Ball Valves KHP / KHP3K

www.khadamathydraulic.com
 Tell: 021-55882749
 Tell: 021-33488178
 Fax: 021-33488105

Model code
 (also order example)

KHP3K 16 L 1114 06 X ...



PN up to 500 bar
 DN 06 - 50

Designation

KHP = 2/2 way manifold ball valve (DN 06 - 50)
 KHP3K = 3/2 or 3/3 way manifold mounted ball valve (DN 06 - 50)

Nominal bore

Ball bore (not applicable for KHP)

	Switch	Function diagram	SO No.:
L	0° - 90°		—
L (positive)	0° - 90° - 180°		SO 560.1

Materials

Housing, locking screw, control spindle

- 1 = Steel
- 3 = Stainless steel

Ball

- 1 = Steel
- 3 = Stainless steel

Ball seal

- 1 = POM (polyacetal)

Soft seal

- 4 = FKM (Viton)
- (other materials on request)

Handle

- 09 = Without handle
- 14 = Zinc die-cast bolt-on handle, cranked DN06
- 04 = Zinc die-cast bolt-on handle, cranked DN10
- 02 = Aluminium clamped handle, cranked DN16 - 25
- 06 = Steel bolt-on handle, cranked DN32 - 50

Series

(determined by manufacturer)

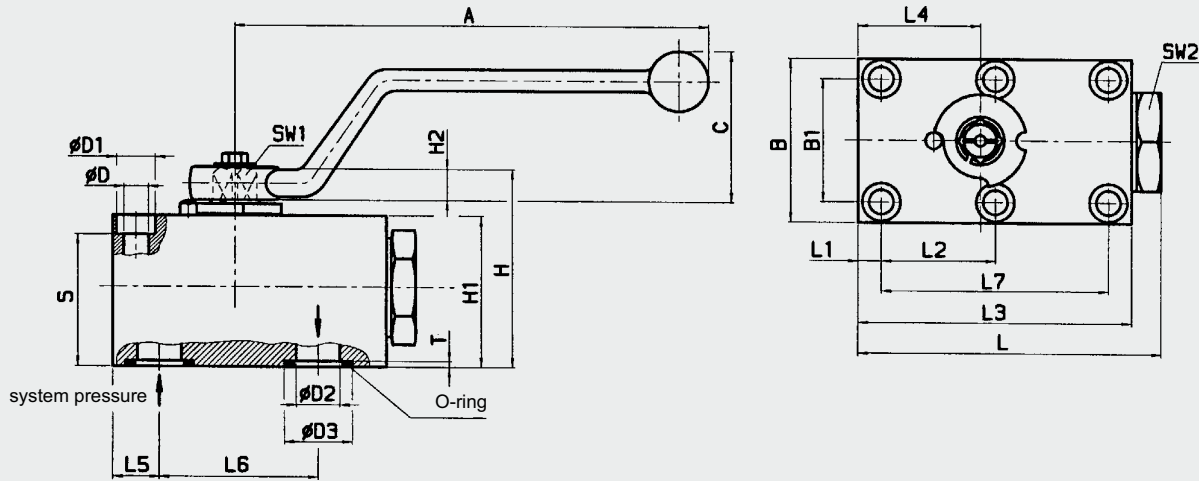
Special model

SO 560.1 - positive switching overlap
 T-bore on request

Dimensions

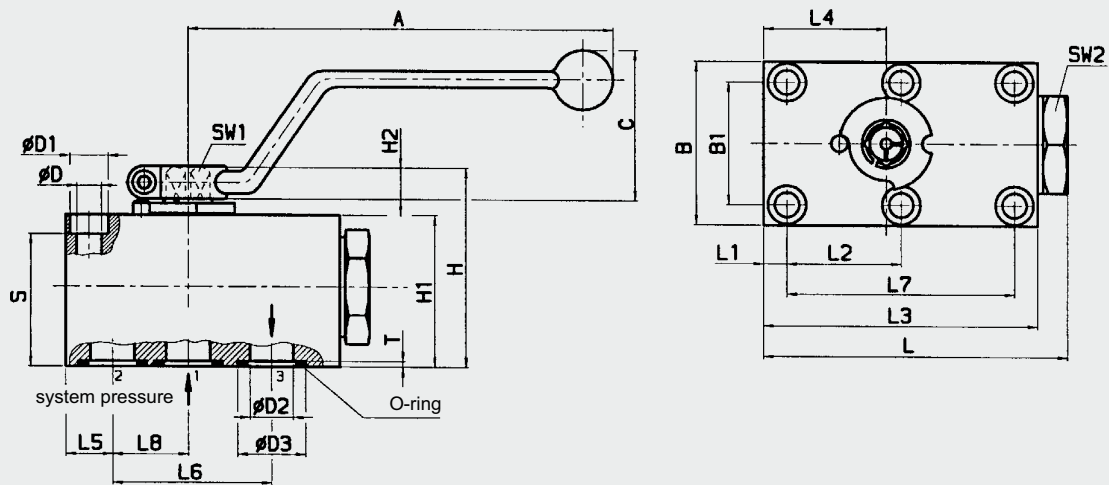
KHP

Manifold mounted ball valve with cranked bolt-on steel handle



KHP3K

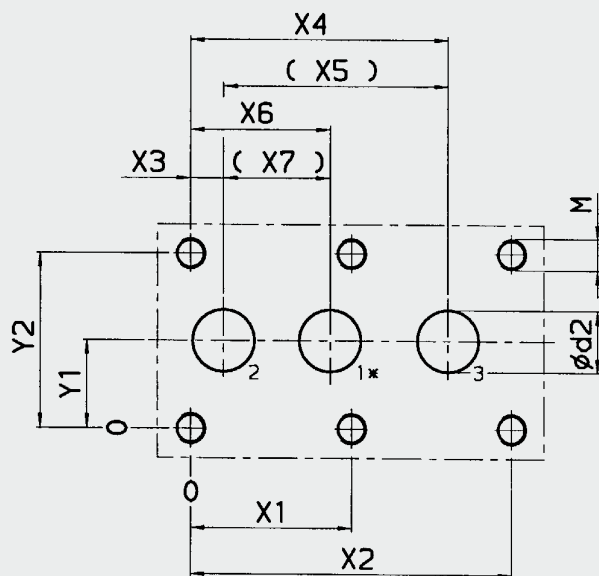
3-way manifold mounted ball valve with cranked clamped aluminium handle



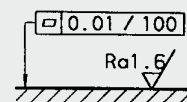
DN	Int. Ø.	L	L1	L2	L3	L4	L5	L6	L7	L8	B	B1	SW1	A	C
06	6	64	8.5	17.5	59	25	8.5	35	35	17.5	40	27	6	60	23
10	9.5	80	7.5	27.5	70	29	10	44	55	19	55	40	9	108	28
16	16	109.4	8.5	41.5	100	44	17	58	83	26.5	60	45	12	163	50
20	20	127	10	48.5	117	51	20	69	97	31	70	51	14	169	59
25	23.5	145	10	57.5	135	62	24	81	115	38	80	60	14	169	59
32	32	176	12	68	165	75	29	96	136	46	100	78	17	228	80
40	38	205	28.5	56	180	84.6	28.5	112	112	56.1	130	95	17	228	80
50	48	245	38	68	220	106	38	136	136	68	149	112	17	228	80

DN	SW2	H	H1	H2	D	D1	D2	D3	T	S	O-ring	Weight KHP [kg]	Weight KHP3K [kg]	Press. range PN [bar]
06	22	37.5	30	7	6.6	11	6	11.7	1.6	23.2	8x2	0.6	0.55	500
10	30	58	45	8.5	9	14	9.5	15	2	36	10x2.6	1.2	1.2	350
16	36	72.2	55	11	9	14	16	25	2	46	20.29x2.62	2.1	2	350
20	41	87.8	70	11.6	10.5	16.5	20	30	3	59.5	23.39x3.53	3.7	3.6	350
25	50	97.6	80	11.6	10.5	17	23.5	35	3	69	28.17x3.53	5.6	5.4	350
32	65	118.2	100	12	13	19	32	39.4	2.9	84	32.92x3.53	10.9	10.2	350
40	-	117.5	100	12	17.5	26	38	48.4	2.9	82.5	42x3.5	17.5	-	350
50	-	127.5	110	12	22	33	48	55.4	2.9	88.5	49x3.5	24.5	-	350

Interface for (3-way) manifold mounted ball valve



required surface finish on interface area



dimensional tolerances
ISO 2768 m

* = bore 1 not applicable
for KHP

DN	Y1	Y2	X1	X2	X3	X4	X5	X6	X7	d2	M	Int. hex. screw ISO 4762 (property class)	Torque value MA [Nm] *
06	13.5	27	17.5	35	0	35	35	17.5	17.5	6	M6	M6 - 10.9	13
10	20	40	27.5	55	2.5	46.5	44	21.5	19	9.5	M8	M8 - 10.9	30
16	22.5	45	41.5	83	8.5	66.5	58	35	26.5	16	M8	M8 - 12.9	35
20	25.5	51	48.5	97	10	79	69	41	31	20	M10	M10 - 12.9	60
25	30	60	57.5	115	14	95	81	52	38	23.5	M10	M10 - 12.9	60
32	39	78	68	136	17	113	96	63	46	32	M12	M12 - 12.9	110
40	47.5	95	56	112	0	112	112	56.1	56.1	38	M16	M16 - 12.9	300
50	56	112	68	136	0	136	136	68	68	48	M20	M20 - 12.9	600

* = standard values for friction coefficient μ 0.14

Technical specifications

Mounting position:	KHP: optional
	KHP3K: when pressure is applied from port 2 or 3 to port 1, some leakage can be expected, depending on the pressure.
Ambient temperature:	-10 °C to +80 °C
Nominal pressure:	up to PN 500 bar (see pressure range)
Operating fluids:	Mineral oil to DIN 51524 Part 1 and Part 2 (other fluids on request)
Temperature of operating fluid:	-10 °C to +80 °C
Spare parts:	Seal kits available on request
Accessories:	All ball valves can be supplied with the following options: Actuator Limit controls Lock

NOTE

The information in this brochure relates to the operating conditions and applications described.

For applications or operating conditions not described, please contact the relevant technical department.

Subject to technical modifications.

HYDAC Accessories GmbH
Hirschbachstr. 2
66280 Sulzbach/Saar
Tel.: +49 (0)6897 - 509-1001
Fax: +49 (0)6897 - 509-1009
Internet: www.hydac.com
E-Mail: info@hydac.com

