



## KHB3H Series

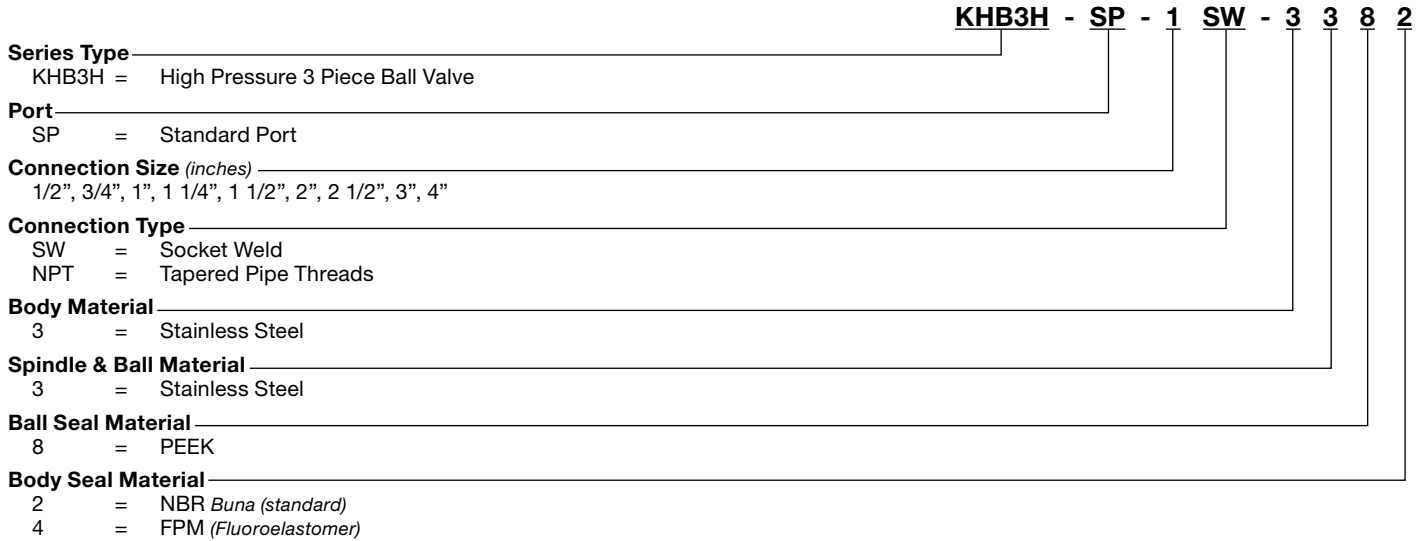
3 Piece Ball Valve



### Specifications

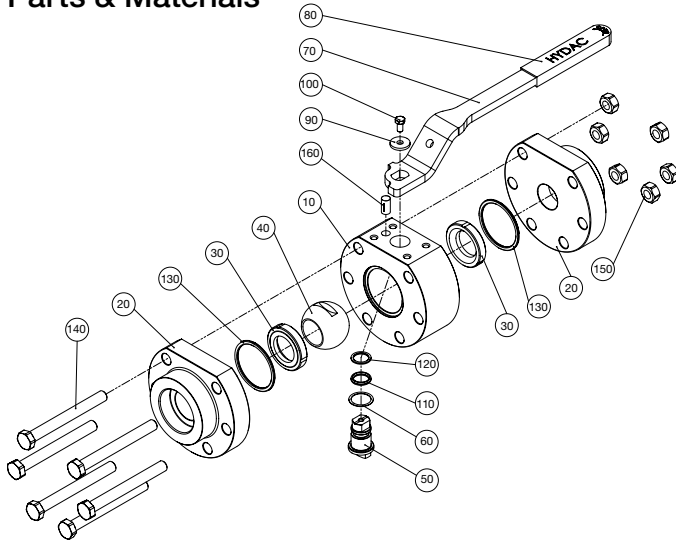
- 1/2" - 4" Standard Port
- 1/2" - 2" Class 2500 ANSI (up to 6000 psi)
- 3" - 4" Class 1500 ANSI (up to 3800 psi)
- Blow-out proof stem
- Handle operated or actuated
- Applications: Offshore, Oil & Gas, Chemical, Petrochemical, Refining, Energy
- Media: Liquid or gas
- Material: Stainless Steel
- End Connections: Socket weld and threaded. Other options available (*consult factory*)
- Locking devices available

### Model Code



# HIGH PRESSURE BALL VALVES

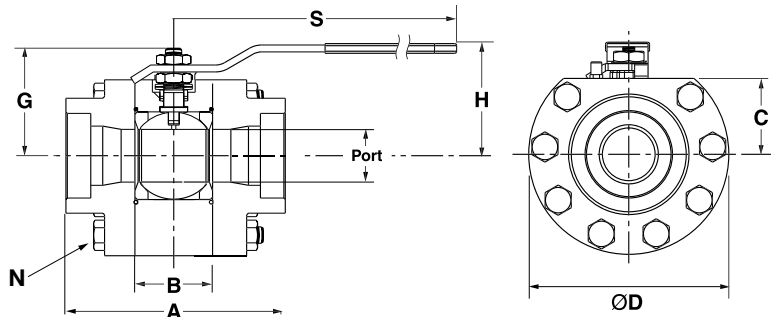
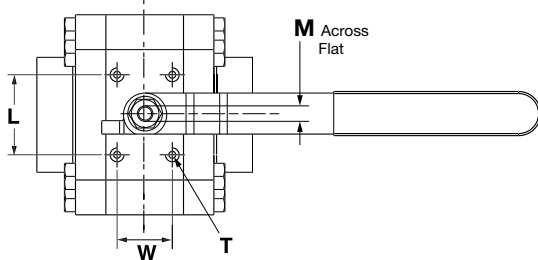
## Parts & Materials



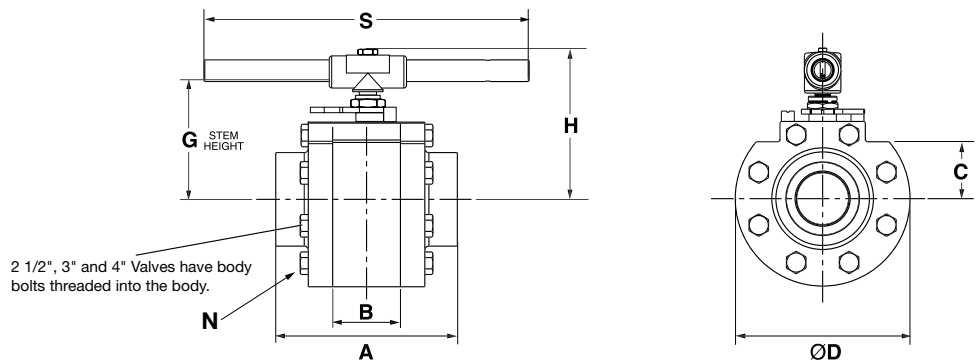
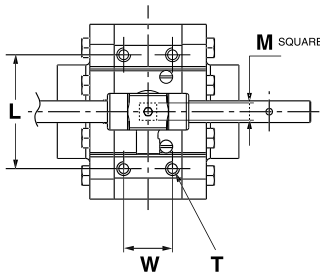
Item	Designation	Material
10	Housing	Stainless steel A479 316/316L
20	Connection adapter	Stainless steel A479 316/316L
30	Sealing cup	PEEK
40	Ball	Stainless steel 1.4404, 1.4408
50	Spindle	Stainless steel 1.4462
60	Thrust washer	PEEK
70	Handle	Stainless steel 1.4301
80	Protective cap	PVC
90	Washer	Stainless steel A2
100	Screw	Stainless steel A2
110	O-ring	NBR or FPM
120	Back-up ring	PTFE
130	O-ring	NBR or FPM
140	Screw	Stainless steel A4
150	Nut	Stainless steel A4
160	Stop pin	Stainless steel A4

## Dimensions

### Size 1/2" - 2"



### Size 3" - 4"



Size	Port	A	B	C	G	ØD	H	M	N	S	T	W	L	Weight (kg)
1/2"	0.47 (12)	3.07 (78)	0.98 (25)	1.06 (27)	1.30 (33)	2.76 (70)	2.40 (61)	0.35 (9)	6 qty. M8x55	7.20 (183)	M5	0.59 (15)	1.34 (34)	3.7 (1.7)
3/4"	0.59 (15)	3.35 (85)	1.10 (28)	1.30 (33)	1.54 (39)	3.11 (79)	2.64 (67)	0.35 (9)	6 qty. M8x65	7.20 (183)	M5	0.59 (15)	1.34 (34)	6.6 (3.0)
1"	0.79 (20)	4.25 (108)	1.50 (38)	1.65 (42)	1.97 (50)	3.86 (98)	3.23 (82)	0.47 (12)	6 qty. M10x90	10.39 (264)	M6	0.94 (24)	1.65 (42)	11.2 (5.1)
1 1/4"	0.98 (25)	4.76 (121)	1.69 (43)	1.77 (45)	2.09 (53)	4.29 (109)	3.35 (85)	0.47 (12)	6 qty. M10x95	10.39 (264)	M6	0.94 (24)	1.65 (42)	14.3 (6.5)
1 1/2"	1.18 (30)	5.16 (131)	2.05 (52)	2.28 (58)	2.60 (66)	5.04 (128)	3.82 (97)	0.67 (17)	8 qty. M12x110	14.92 (379)	M8	1.42 (36)	1.57 (40)	23.1 (10.5)
2"	1.50 (38)	5.63 (143)	2.13 (54)	2.52 (64)	2.83 (72)	5.71 (145)	4.09 (104)	0.67 (17)	8 qty. M12x110	14.92 (379)	M8	1.57 (40)	2.28 (58)	31.0 (14.1)
2 1/2"	1.89 (48)	6.81 (173)	2.72 (69)	3.03 (77)	3.62 (92)	6.46 (164)	5.35 (136)	0.67 (17)	16 qty. M16x45	19.69 (500)	M8	4 x ø1.73 (ø44)		48.2 (21.9)
3"	2.48 (63)	8.82 (224)	3.78 (96)	4.06 (103)	5.20 (132)	8.58 (218)	7.36 (187)	1.06 (27)	16 qty. M20x60	35.43 (900)	M10	1.97 (50)	1.38 (35)	109.8 (49.9)
4"	2.99 (76)	10.55 (268)	4.41 (112)	4.45 (113)	5.59 (142)	9.41 (239)	7.76 (197)	1.06 (27)	16 qty. M20x60	35.43 (900)	M10	1.97 (50)	1.38 (35)	150.0 (68.2)

### Notes:

1. Dimensions are in inches (mm) and lbs (kg).
2. Dimensions are for general information only, all critical dimensions should be verified by requesting a certified print.