

Solenoid Valves

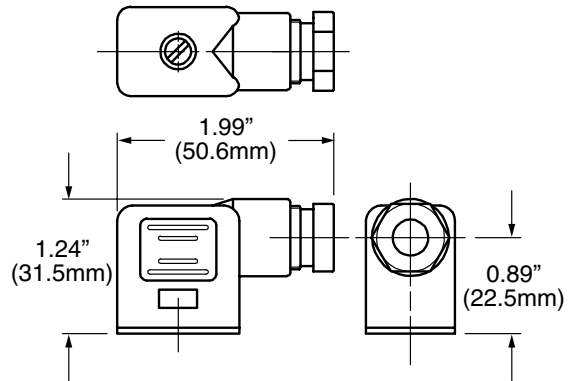
Namur 3-way and 4-way

3-Way



Connector

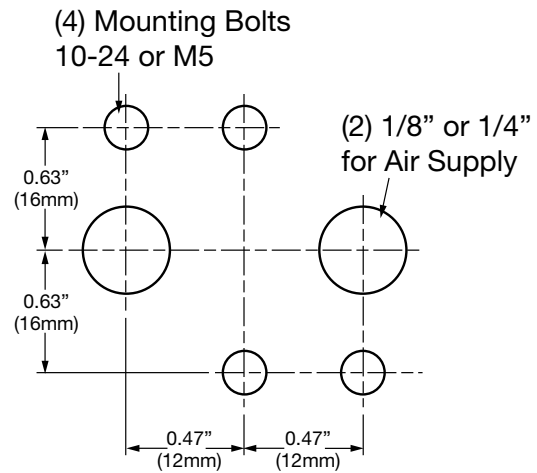
Water tight, NEMA 4/4X, mini-DIN, Cord Grip PG9 connection



4-Way



Namur Pattern

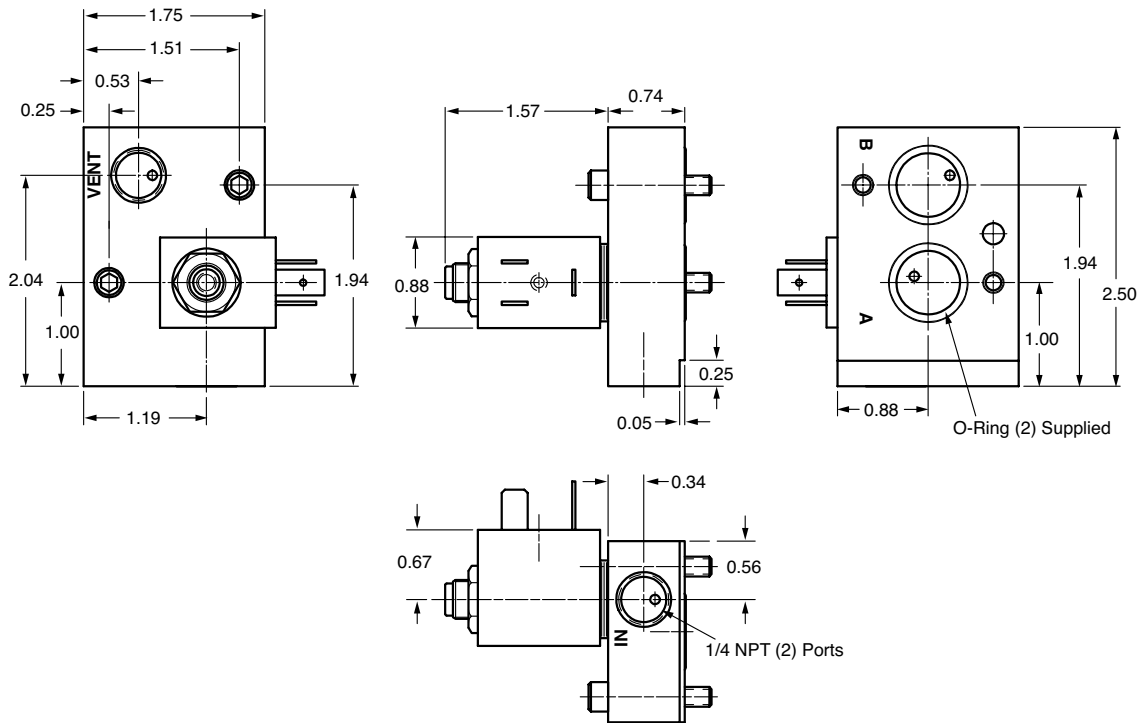


| Model Code | Use With | Connectors | Nominal Coil Power | Part Number |
|--|-----------------------------------|---------------------------|-----------------------------------|-------------|
| Solenoid Valve Namur, 3-way, 24 VDC, Mini DIN | NO / NC valves with Spring Return | Mini-DIN Cord Grip PG9 | AC = 8.5 watts DC = 10.5 watts | 02082887 |
| Solenoid Valve Namur, 3-way, 120 VDC, Mini DIN | NO / NC valves with Spring Return | | | 02082888 |
| Solenoid Valve Namur, 4-way, 24 VDC, Mini DIN | Double Acting valves | | | 02082889 |
| Solenoid Valve Namur, 4-way, 120 VDC, Mini DIN | Double Acting valves | | | 02082890 |

Dimensions

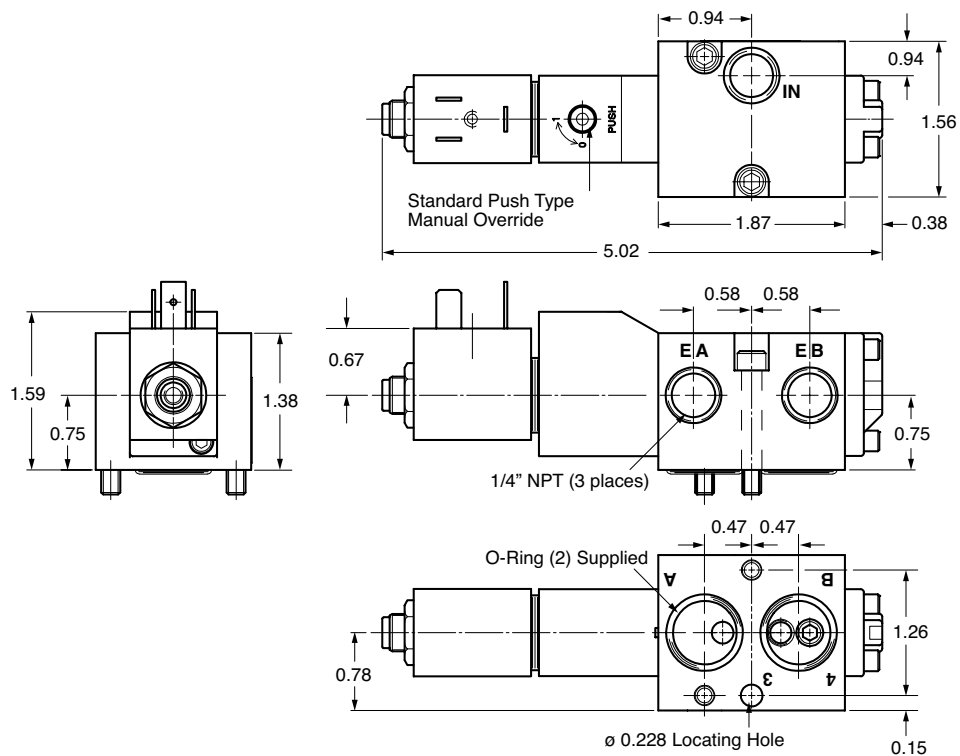
3-way Solenoid Valve used with N.O. or N.C. Valves

2 Sets of bolts provided: #10-24 and M5



4-way Solenoid Valve used with Double Acting Valves

2 Sets of bolts provided: #10-24 and M5



Dimensions are in inches.

Dimensions are for general information only, all critical dimensions should be verified by requesting a certified print.