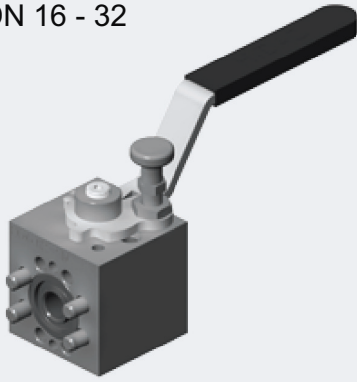
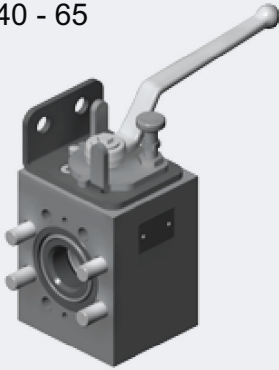


DN 16 - 32



DN 40 - 65



PN up to 420 bar
DN up to 80

Direct Flange Ball Valves

KHDF3 / KHDF6

www.khadamathydraulic.com
 Tell: 021-55882749
 Tell: 021-33488178
 Fax: 021-33488105

Model code
(also order example)

KHDF3 16 1114 18X A X

Designation

KHDF3 = Direct flange ball valve 3000PSI
 KHDF6 = Direct flange ball valve 6000PSI

Nominal bore

Materials

Housing, connection adapters and control spindle

- 1 = steel (standard)
- 3 = stainless steel

Ball

- 1 = steel (standard)
- 3 = stainless steel

Ball seal

- 1 = POM

Control spindle seal

- 2 = NBR (Perbunan)
- 4 = FKM (Viton) (Standard)

Handle

- 18 = stainless steel bolt-on handle, cranked DN16-32
- 16 = steel bolt-on handle, cranked DN40-80

Surface protection

- ... = phosphate-plated (no details required)
- A = zinc-plated, chrome (VI)-free

Options

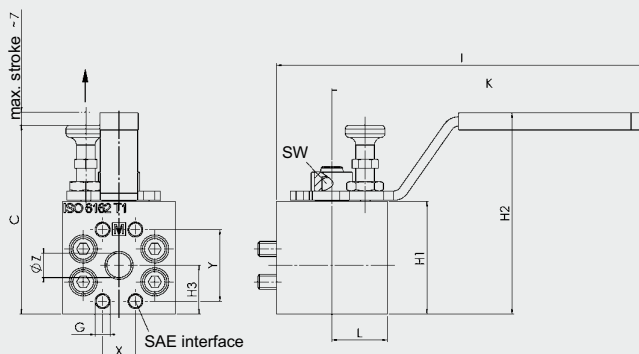
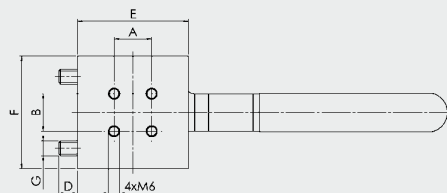
- SO 760 = can be locked in open and closed position using padlock.
Padlock not supplied
- I-1.300 = adapted for proximity switch M12,
monitoring of ball valve in either open, closed or both positions
- I-1.200 = with standard proximity switch M12,
monitoring of ball valve in open position
- I-3.200 = with 2 standard proximity switches M12,
monitoring of ball valve in open and closed positions

Note

For DN40-50-65 the ball is trunnion mounted (double bearing, easy operation)
 Detent on open and closed position as standard
 4 mounting bolts are supplied

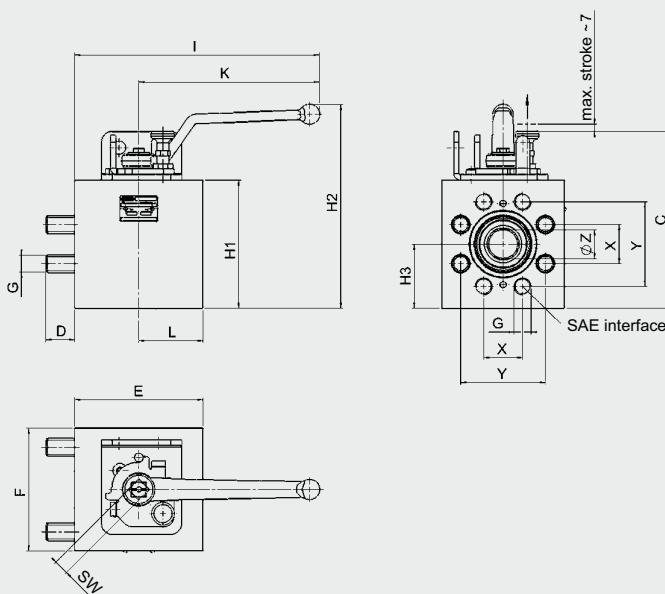
Dimensions

KHDF3



Type	A	B	C	D	E	F	G	H1	H2	H3	I	K	L	X	Y	SW	Z	PN		Proximity switch
																		bar	PSI	
KHDF3-16	20	20	100.6	10	59	60	M8	60	107.1	26	197	167	29.5	17.5	38.1	12	13	350	5000	
KHDF3-20	20	20	111	12.6	68	70	M10	70	118	32.5	206	170	32	22.3	47.6	14	19	350	5000	
KHDF3-25	25	25	116	11.6	69	75	M10	75	123	37.5	206	170	33	26.2	52.4	14	20	350	5000	
KHDF3-32	25	25	126	12	81	85	M10	85	133	42.5	209	170	42	30.2	58.7	14	25	250	3600	
KHDF3-40			165.5	19	84	94	M12	120	190.7	60	208	169	45	35.7	69.9	14	27	210	3000	M12
KHDF3-50			185.4	19	94	102	M12	140	238.7	70	275	228	47	42.9	77.8	17	35	210	3000	M12
KHDF3-65			200.4	19	114	120	M12	155	253.7	77.5	286	228	56	50.8	88.9	17	45	160	2300	M12
KHDF3-80			217	25.5	162	158	M16	171	258	85.5	381	300	81	61.9	106.4	22	55	100	1400	M18

KHDF6



Type	A	B	C	D	E	F	G	H1	H2	H3	I	K	L	X	Y	SW	Z	PN		Proximity switch
																		bar	PSI	
KHDF6-16	20	20	105.6	13.5	65	60	M8	65	112.1	31	200	167	32.5	18.2	40.5	12	13	400	5800	
KHDF6-20	20	20	116	15	71	75	M10	75	123	37.5	206	170	35	23.8	50.8	14	19	400	5800	
KHDF6-25	25	25	126	18	81	85	M12	85	133	42.5	209	170	42	27.8	57.2	14	25	400	5800	
KHDF6-32	25	25	141	20	81	100	M12	100	147	49.5	209	147	42	31.8	66.6	14	25	400	5800	
KHDF6-32	25	25	141	19	81	100	M14	100	147	49.5	209	170	42	31.8	66.6	14	25	400	5800	
KHDF6-40			165.4	27	120	115	M16	120	190.7	60	229	169	60	36.5	79.3	14	32	420	6000	M12
KHDF6-50			185.5	29	142	135	M20	140	238.8	70	299	228	71	44.5	96.8	17	35	420	6000	M12

Technical specifications

Types of connection	SAE fixed flanges to ISO 6161, Table 1 and 2 (SAE J 518c)
Mounting position	Optional
Ambient temperature	-10°C to +80°C
Nominal pressure	210 bar or 420 bar
Operating fluids	Mineral oil to DIN 51524 Part 1 and Part 2 (other fluids on request)
Temperature of operating fluid	-10°C to +80°C
Spare parts	Seal kits available on request

NOTE

The information in this brochure relates to the operating conditions and applications described.

For applications or operating conditions not described, please contact the relevant technical department.

Subject to technical modifications.

HYDAC Accessories GmbH
Hirschbachstr. 2
66280 Sulzbach/Saar
Tel.: +49 (0)6897 - 509-1001
Fax: +49 (0)6897 - 509-1009
Internet: www.hydac.com
E-Mail: info@hydac.com

