



DMA Type Manual Valve

10.5 to 26.4 gpm
 5075 psi

Features

The compact 01 and 03 sizes are perfect for small flow rate control. Since a balanced type valve is used, there is no need for drain piping, and use

use with back pressures up to 2320 psi is possible. Mounting methods are the same as SAG01/03, and the 01, 03 size modular

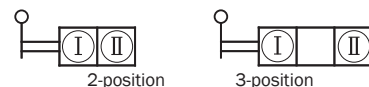
the reaction of the poppet action is valve can be used, so circuit configuration is quick and easy.

Specifications

Model No.	Nominal Diameter (size)	Maximum Working Pressure psi	Tank Port Back Pressure psi	Maximum Flow Rate gpm	Spool Stroke (in)		Weight lbs
					2-position	3-position	
DMA-G01-***-20	1/8	5075	2320	10.5	.16	.16 × 2	2.8
DMA-G03-***-(J)20	3/8	3625		26.4	.24	.24 × 2	7.2

Positions	Type	JIS Symbol	Model No.	Maximum Working Pressure psi		
2-position	Closed Cross		DMA-G01-A3X-20 (J)20	5075		
	Open Cross		DMA-G01-A3Z-20 (J)20			
	Closed Cross		DMA-G01-E3X-20 (J)20			
	Open Cross		DMA-G01-E3Z-20 (J)20			
3-position	All Ports Open		DMA-G01-C4-20 (J)20	5075		
			DMA-G01-F4-20 (J)20			
	All Parts Blocked		DMA-G01-C5-20 (J)20			
			DMA-G01-F5-20 (J)20			
	ABT Connection		DMA-G01-C6-20 (J)20			
			DMA-G01-F6-20 (J)20			
	PT Connection	Closed Cross			DMA-G01-C7X-20 (J)20	3625
		Restricted Open Cross			DMA-G01-C7Y-20 (J)20	
		Closed Cross			DMA-G01-F7X-20 (J)20	
		Restricted Open Cross			DMA-G01-F7Y-20 (J)20	
PAT Connection		DMA-G01-C8-20 (J)20	5075			
		DMA-G01-F8-20 (J)20				

- Handling
- The following are the three types of lever operations.
 - Spring Offset Type (Type A) The lever is normally kept in the end position by the spring. Raising the lever performs switching, and the lever returns to its original position when released.
 - Spring Center Type (Type C) The spool is normally in the center of position 3. After switching to either end, the spring returns the lever to its center position when the lever is released.
 - Detent Type (Type F, Type E) A notch at spool position 3 or as a stop.
 - Pressure loss is the same as that for the SAG01/G03, so see SA-G01/G03 for more information.
 - The lever mounting orientation can be positioned at 90° increments by changing the orientation of the lever side cover.
 - For PT connection type DMA-G01/G03-*7*-(J)20, closed cross DMA-G01/G03-*7X*-(J)20 is the standard type.
 - The relationship between the lever switching positions and JIS symbols is shown below. (See the installation dimension diagrams for symbols & I and & II.)



6 Mounting bolts are not included with the 01 size.

DMA-G01-***-20	10-24 x 1 3/4	4
DMA-G03-***-20	1/4-20 x 2 3/4	4

Note: For mounting bolts, use grade 8 or equivalent.

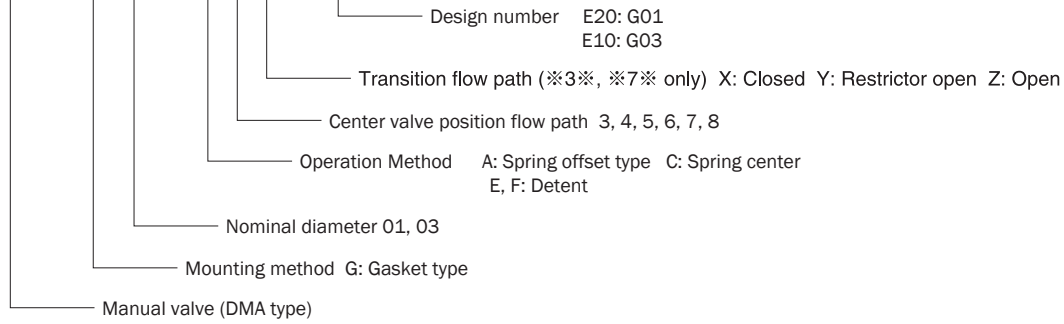
7 The following shows the sub plates.

Model No.	Pipe Diameter	Maximum Working Pressure psi	Recommended Flow Rate gpm	Weight lbs	Applicable Valve Type
MSA-01Y-E10	3/8	3625	10.5	2.6	DMA-G01-***-20
MS-03-E30	3/8		10.5	5	DMA-G03-***-E10
MS-03X-E30	1/2		11.8		

These sub plates can also be used with SA (SS)-G01/G03, so see SA (SS)-G01/G03 for mounting methods.

Understanding Model Numbers

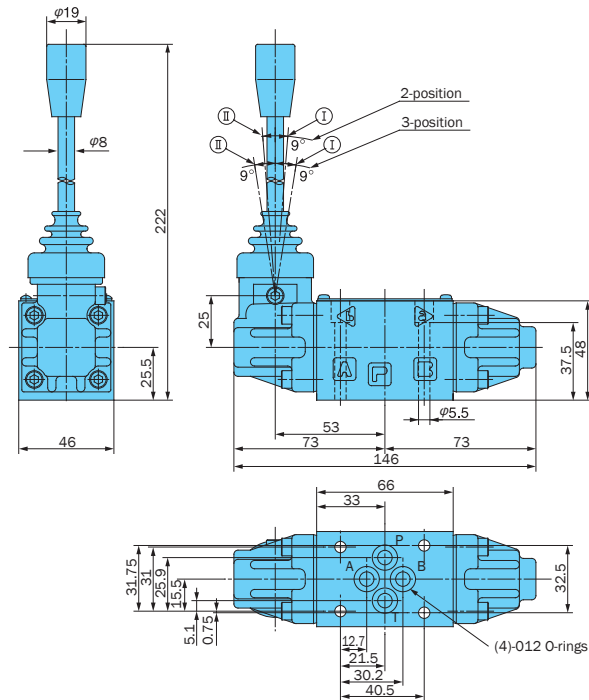
DMA - G 01 - A 3 X - 20



Installation Dimension Drawings

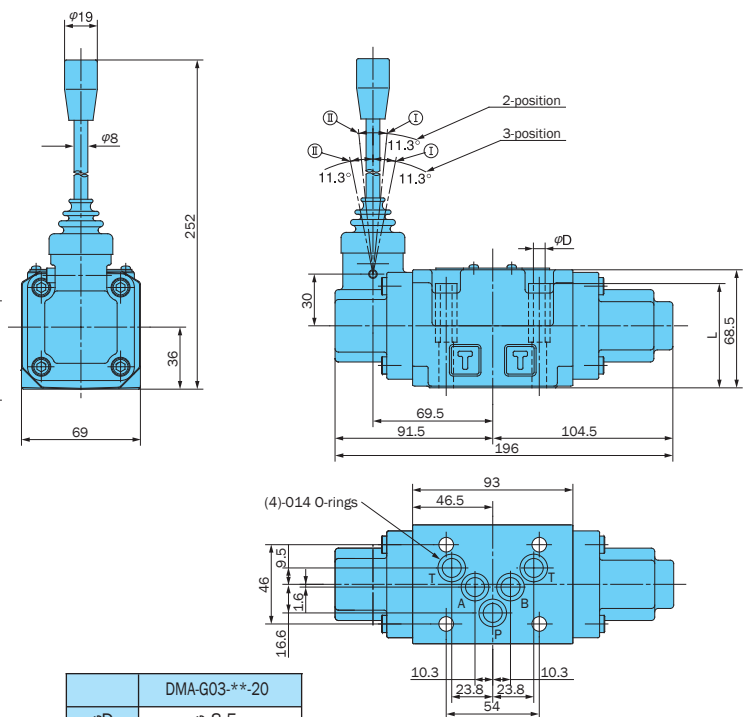
DMA-G01-*E-20 (D03)

Gasket Surface Dimensions (ISO 4401-03-02-0-94
JIS B8355 D-03-02-0-94)



DMA-G03-***-E-10 (D05)

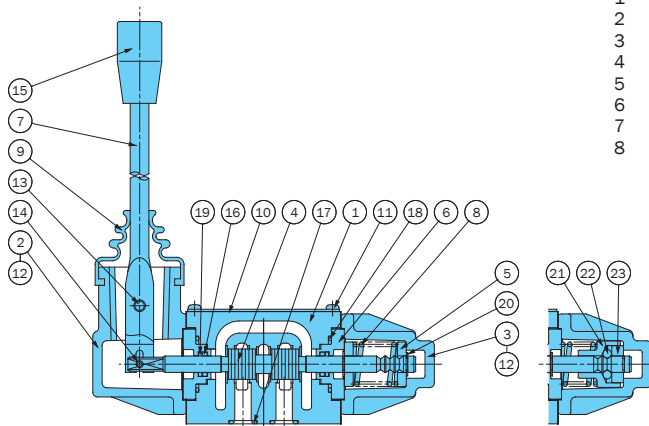
Gasket Surface Dimensions (ISO 4401-05-04-0-94
JIS B8355 D-05-04-0-94)



DMA-G03-**-20	
ϕD	$\phi 8.5$
L	58

Cross-sectional Drawing

DMA-G01-***-20



Part No.	Part Name	Part No.	Part Name	Part No.	Part Name
1	Body	9	Rod cover	17	O-ring
2	Cover A	10	Nameplate	18	O-ring
3	Cover B	11	Stopper screw	19	Backup ring
4	Spool	12	Screw	20	Snap ring
5	Ring	13	Screw	21	Guide
6	Bush	14	Pin	22	Ball
7	Lever	15	Knob	23	Retainer
8	Spring	16	O-ring		

Seal Part List

Part No.	Part Name	Model No.			
		DMA-G01	Q'ty	DMA-G03	Q'ty
16	O-ring	1A-P7	2	1A-P10	2
17	O-ring	AS568-012 (Hs90)	4	AS568-014(Hs90)	5
18	O-ring	AS568-019 (Hs90)	2	1B-P28	2
19	Backup ring	T2-P7	2	T2-P10	2

Note) 1.O-ring 1A/B-** refers to JIS B2401-1A/B.
2.Backup ring indicates JIS B2407-T2-**.