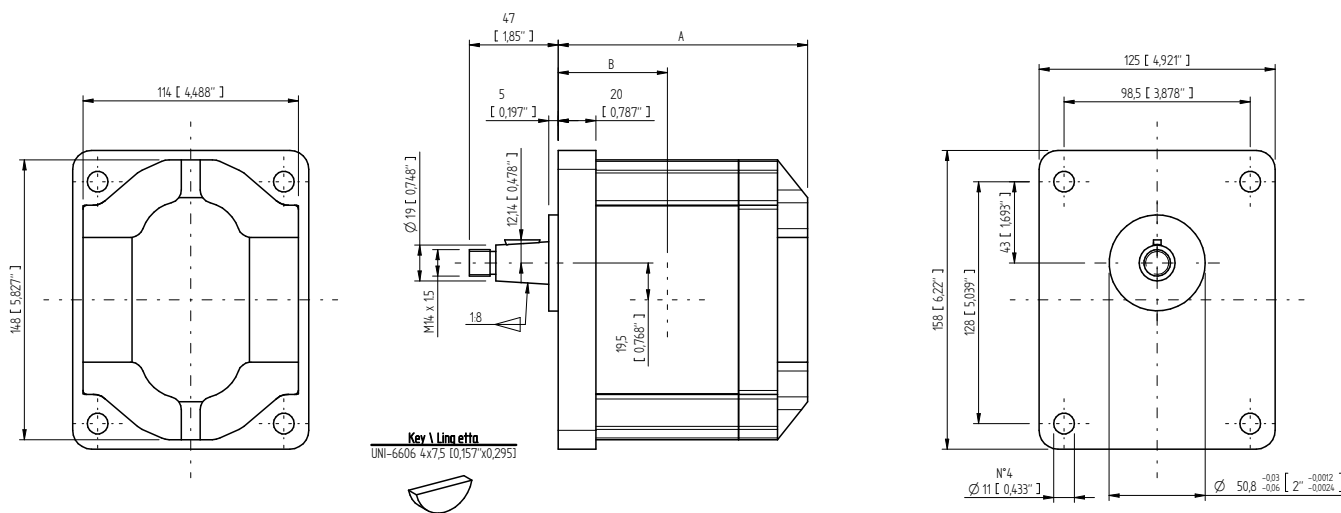


## GR47 SHAFT AND FLANGE TYPES AND DIMENSIONS / TIPI DI ALBERO E FLANGIA E DIMENSIONI

### Group 3 pumps / Pompe gruppo 3

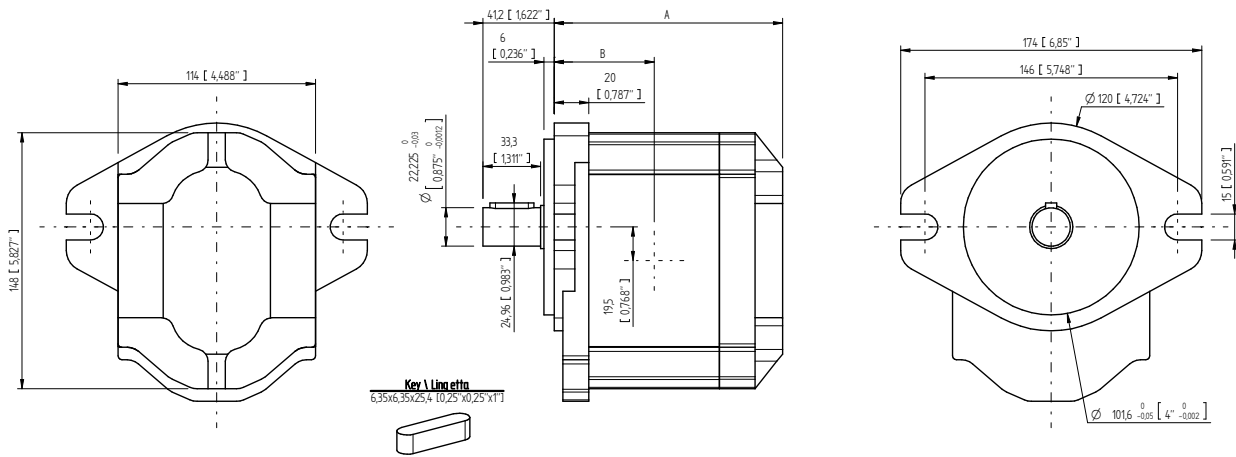
| Type | Class | Flange & Shaft available types | Ports | Weight |
|------|-------|--------------------------------|-------|--------|
| GR47 | 2C    | F3 AC9                         | G-O-U | 10 Kg  |
|      |       | FSAEB AC                       |       |        |
|      |       | FSAEB AT13                     |       |        |



| GR47 - TYPE / TIPO F3 AC9 |      |                 |         |                              |       |                              |       |  |      |  |      |                                      |      |                                  |                                |
|---------------------------|------|-----------------|---------|------------------------------|-------|------------------------------|-------|--|------|--|------|--------------------------------------|------|----------------------------------|--------------------------------|
| Type<br>Tipo              | CC   | Flow<br>Portata |         | Dimensions A<br>Dimensioni A |       | Dimensions B<br>Dimensioni B |       | Continuous<br>Pressure<br>Pressione continua |      | Intermittent<br>Pressure<br>Pressione<br>intermittente (*) |      | Peak pressure<br>Picco pressione (*) |      | Noise level<br>Livello<br>rumore | Max<br>torque<br>Coppia<br>max |
|                           |      | L/min           | GPM     | mm                           | inc   | mm                           | inc   | bar  | PSI  | bar  | PSI  | bar                                  | PSI  |                                  |                                |
| 28                        | 28   | 40,3            | 152,552 | 139,5                        | 5,492 | 61,5                         | 2,421 | 270  | 3916 | 280  | 4061 | 300                                  | 4351 | 57                               | 320                            |
| 32                        | 32,2 | 46,3            | 175,265 | 143,5                        | 5,65  | 63,5                         | 2,5   | 252  | 3655 | 270  | 3916 | 280                                  | 4061 |                                  |                                |
| 36                        | 36,3 | 52,3            | 197,977 | 147,5                        | 5,807 | 65,5                         | 2,579 | 239  | 3466 | 250  | 3626 | 270                                  | 3916 |                                  |                                |
| 40                        | 40,5 | 58,3            | 220,690 | 151,5                        | 5,965 | 67,5                         | 2,657 | 225  | 3263 | 250  | 3626 | 270                                  | 3916 |                                  |                                |
| 45                        | 45,5 | 65              | 246,052 | 156                          | 6,142 | 69,75                        | 2,746 | 213  | 3089 | 250  | 3626 | 270                                  | 3916 |                                  |                                |
| 50                        | 50,3 | 72,4            | 274,064 | 161                          | 6,339 | 72,25                        | 2,844 | 202  | 2930 | 250  | 3626 | 270                                  | 3916 |                                  |                                |

Max torque / Coppia max: 320 Nm

\* Intermittent: cycle 20 sec. ON & 3 sec. OFF - Peak: cycle 1 sec. ON & 3 sec OFF. Intermittente: ciclo 20 sec. ON & 3 sec. OFF - Picco: ciclo 1 sec. ON & 3 sec OFF

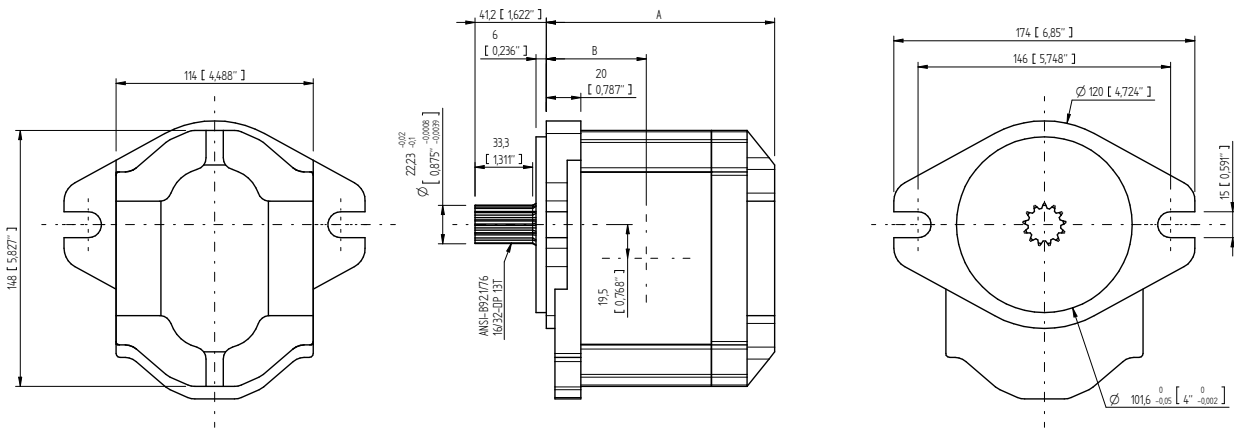


GR47 - TYPE / TIPO FSAEB AC

| Type<br>Tipo | CC   | Flow<br>Portata |         | Dimensions A<br>Dimensioni A |       | Dimensions B<br>Dimensioni B |       | Continuous<br>Pressure<br>Pressione continua |      | Intermittent<br>Pressure<br>Pressione<br>intermittente (*) |      | Peak pressure<br>Picco pressione (*) |      | Noise level<br>Livello<br>rumore<br>dB | Max<br>torque<br>Coppia<br>max<br>Nm |
|--------------|------|-----------------|---------|------------------------------|-------|------------------------------|-------|--|------|--|------|--------------------------------------|------|--|--------------------------------------|
|              |      | L/min           | GPM     | mm                           | inc   | mm                           | inc   | bar  | PSI  | bar  | PSI  | bar                                  | PSI  |  |                                      |
| 28           | 28   | 40,3            | 152,552 | 139,5                        | 5,492 | 61,5                         | 2,421 | 270  | 3916 | 280  | 4061 | 300                                  | 4351 | 57                                     | 450                                  |
| 32           | 32,2 | 46,3            | 175,265 | 143,5                        | 5,65  | 63,5                         | 2,5   | 252  | 3655 | 270  | 3916 | 280                                  | 4061 |  |                                      |
| 36           | 36,3 | 52,3            | 197,977 | 147,5                        | 5,807 | 65,5                         | 2,579 | 239  | 3466 | 250  | 3626 | 270                                  | 3916 |  |                                      |
| 40           | 40,5 | 58,3            | 220,690 | 151,5                        | 5,965 | 67,5                         | 2,657 | 225  | 3263 | 250  | 3626 | 270                                  | 3916 |  |                                      |
| 45           | 45,5 | 65              | 246,052 | 156                          | 6,142 | 69,75                        | 2,746 | 213  | 3089 | 250  | 3626 | 270                                  | 3916 |  |                                      |
| 50           | 50,3 | 72,4            | 274,064 | 161                          | 6,339 | 72,25                        | 2,844 | 202  | 2930 | 250  | 3626 | 270                                  | 3916 |  |                                      |

Max torque / Coppia max: 450 Nm - Max torque / Coppia max: 600 Nm

\* Intermittent: cycle 20 sec. ON & 3 sec. OFF - Peak: cycle 1 sec. ON & 3 sec OFF. Intermittente: ciclo 20 sec. ON & 3 sec. OFF - Picco: ciclo 1 sec. ON & 3 sec OFF



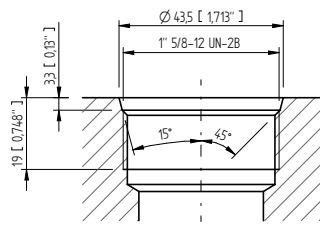
GR47 - TYPE / TIPO FSAEB AT13

| Type<br>Tipo | CC   | Flow<br>Portata |         | Dimensions A<br>Dimensioni A |       | Dimensions B<br>Dimensioni B |       | Continuous<br>Pressure<br>Pressione continua |      | Intermittent<br>Pressure<br>Pressione<br>intermittente (*) |      | Peak pressure<br>Picco pressione (*) |      | Noise level<br>Livello<br>rumore<br>dB | Max<br>torque<br>Coppia<br>max<br>Nm |
|--------------|------|-----------------|---------|------------------------------|-------|------------------------------|-------|--|------|--|------|--------------------------------------|------|--|--------------------------------------|
|              |      | L/min           | GPM     | mm                           | inc   | mm                           | inc   | bar  | PSI  | bar  | PSI  | bar                                  | PSI  |  |                                      |
| 28           | 28   | 40,3            | 152,552 | 139,5                        | 5,492 | 61,5                         | 2,421 | 270  | 3916 | 280  | 4061 | 300                                  | 4351 | 57                                     | 600                                  |
| 32           | 32,2 | 46,3            | 175,265 | 143,5                        | 5,65  | 63,5                         | 2,5   | 252  | 3655 | 270  | 3916 | 280                                  | 4061 |  |                                      |
| 36           | 36,3 | 52,3            | 197,977 | 147,5                        | 5,807 | 65,5                         | 2,579 | 239  | 3466 | 250  | 3626 | 270                                  | 3916 |  |                                      |
| 40           | 40,5 | 58,3            | 220,690 | 151,5                        | 5,965 | 67,5                         | 2,657 | 225  | 3263 | 250  | 3626 | 270                                  | 3916 |  |                                      |
| 45           | 45,5 | 65              | 246,052 | 156                          | 6,142 | 69,75                        | 2,746 | 213  | 3089 | 250  | 3626 | 270                                  | 3916 |  |                                      |
| 50           | 50,3 | 72,4            | 274,064 | 161                          | 6,339 | 72,25                        | 2,844 | 202  | 2930 | 250  | 3626 | 270                                  | 3916 |  |                                      |

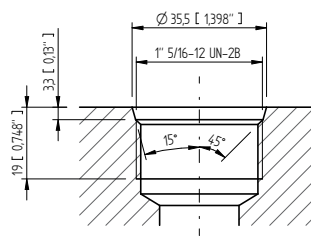
Max torque / Coppia max: 450 Nm - Max torque / Coppia max: 600 Nm

\* Intermittent: cycle 20 sec. ON & 3 sec. OFF - Peak: cycle 1 sec. ON & 3 sec OFF. Intermittente: ciclo 20 sec. ON & 3 sec. OFF - Picco: ciclo 1 sec. ON & 3 sec OFF

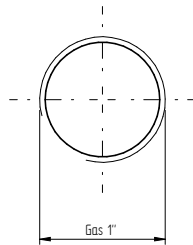
**Suction port**  
Type "U"



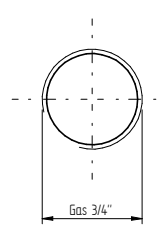
**Pressure port**  
Type "U"



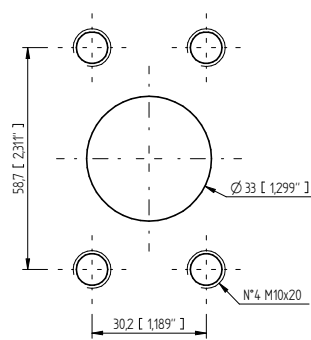
**Suction port**  
Type "G"



**Pressure port**  
Type "G"



**Suction port**  
Type "O"



**Pressure port**  
Type "O"

