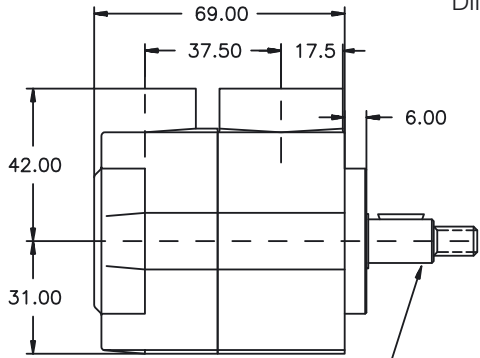


## SINGLE VANE PUMP TYPE BHP-1

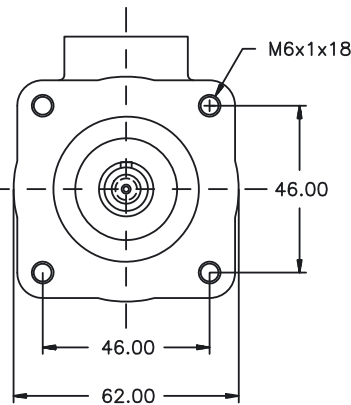
DATA SHEET

	FLOW					SPEED (rpm)		PRES (BAR)		CONNECTION		WEIGHT (Kgs.)	
	Lts at 1000 rpm	2	3	4,5	5,5	6,5	Mín.	Máx.	Contin.	Intermit.	Inlet		Outlet
Gal at 1200 rpm	0,6	0,9	1,2	1,7	2		600	2500	175	210	Ø38	Ø26	1

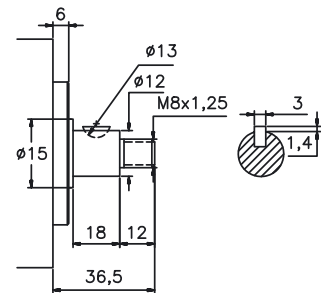
DIMENSIONS IN MILLIMETERS 1" = 25.4 mm



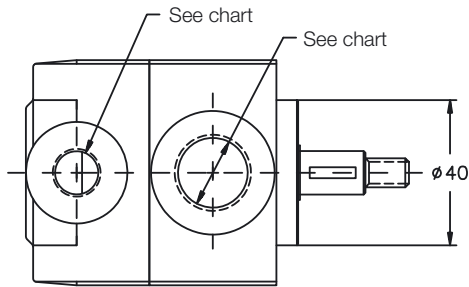
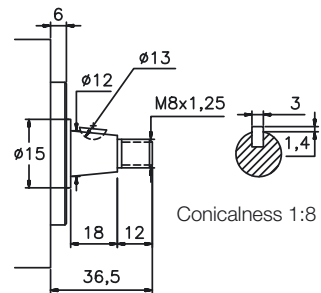
See shaft types and measures



**Nº1 Shaft**

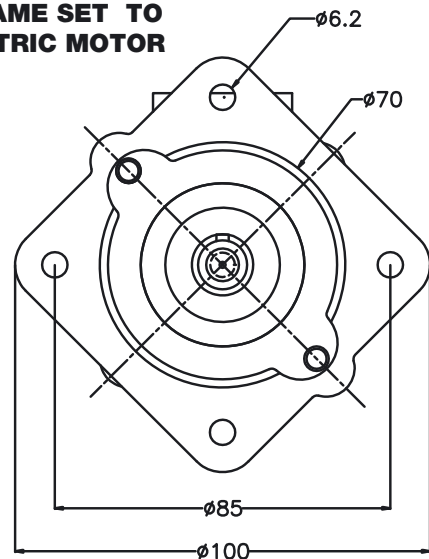
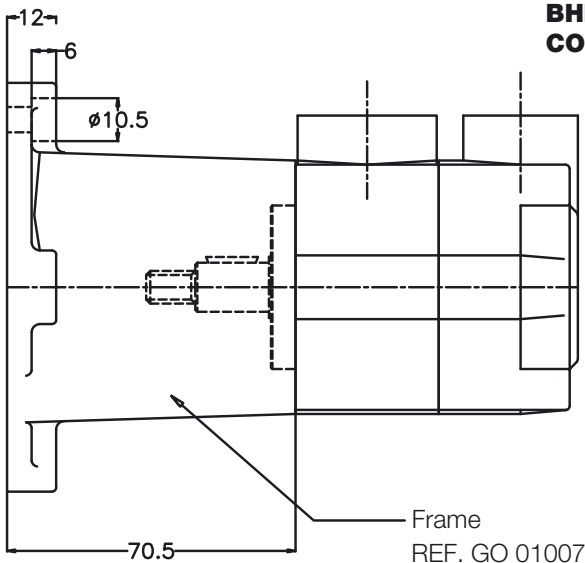


**Nº2 Shaft**



Num.	Inlet	Outlet
01	1/2" BSP	1/4" BSP
02	3/8" BSP	1/4" BSP

### BHP1 PUMP AND FRAME SET TO CONNECT TO ELECTRIC MOTOR



SINGLE VANE PUMP TYPE BHP-1

FLOW AND INPUT POWER DIAGRAMS

