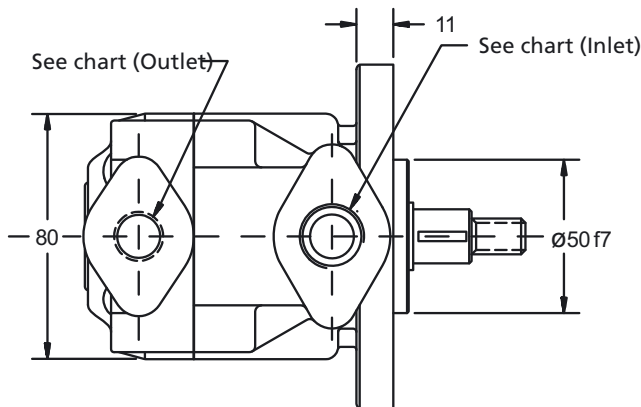
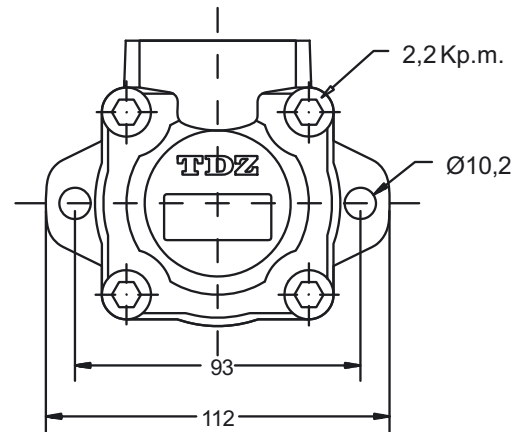
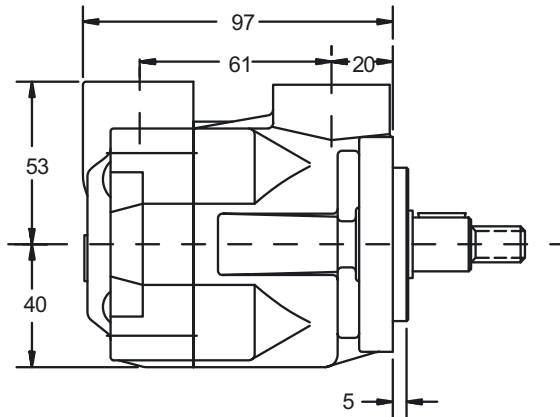


SINGLE VANE PUMP TYPE BHP-2

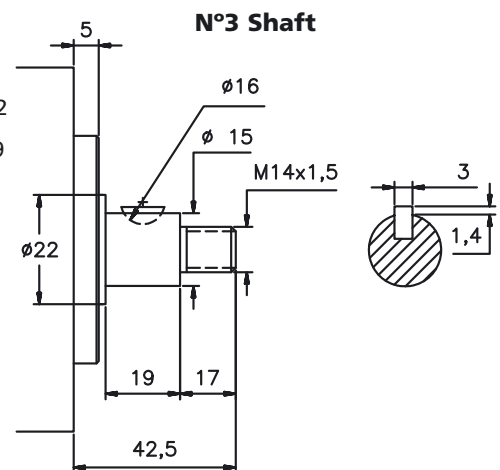
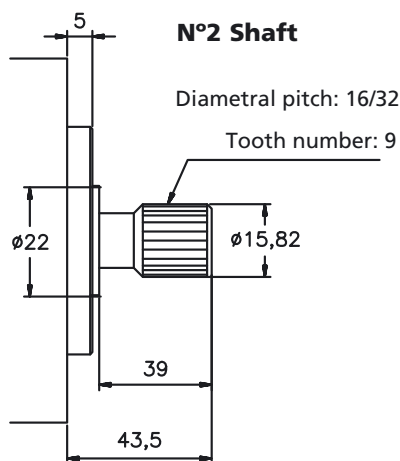
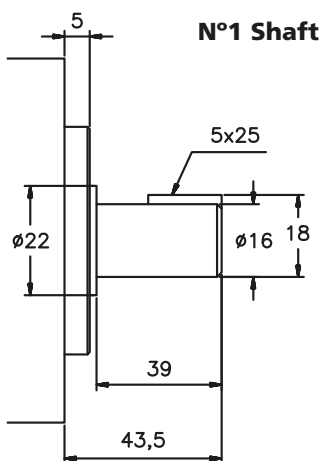
FLOW	SPEED (rpm)					PRES (BAR)		CONNECTION		WEIGHT (Kgs.)		
	7	8	10	12	15	Mín.	Máx.	Inlet	Outlet			
Lts at 1000 rpm	7	8	10	12	15	600	2500*	150	175	3/4" BSP	1/2" BSP	3,6
Gal at 1200 rpm	2,2	2,5	3,2	3,8	4,7							

* For further details see general chart

DIMENSIONS IN MILLIMETERS 1" = 25.4 mm



Num.	Inlet	Outlet
02	3/4" BSP	1/2" BSP



SINGLE VANE PUMP TYPE BHP-2

FLOW AND INPUT POWER DIAGRAMS

