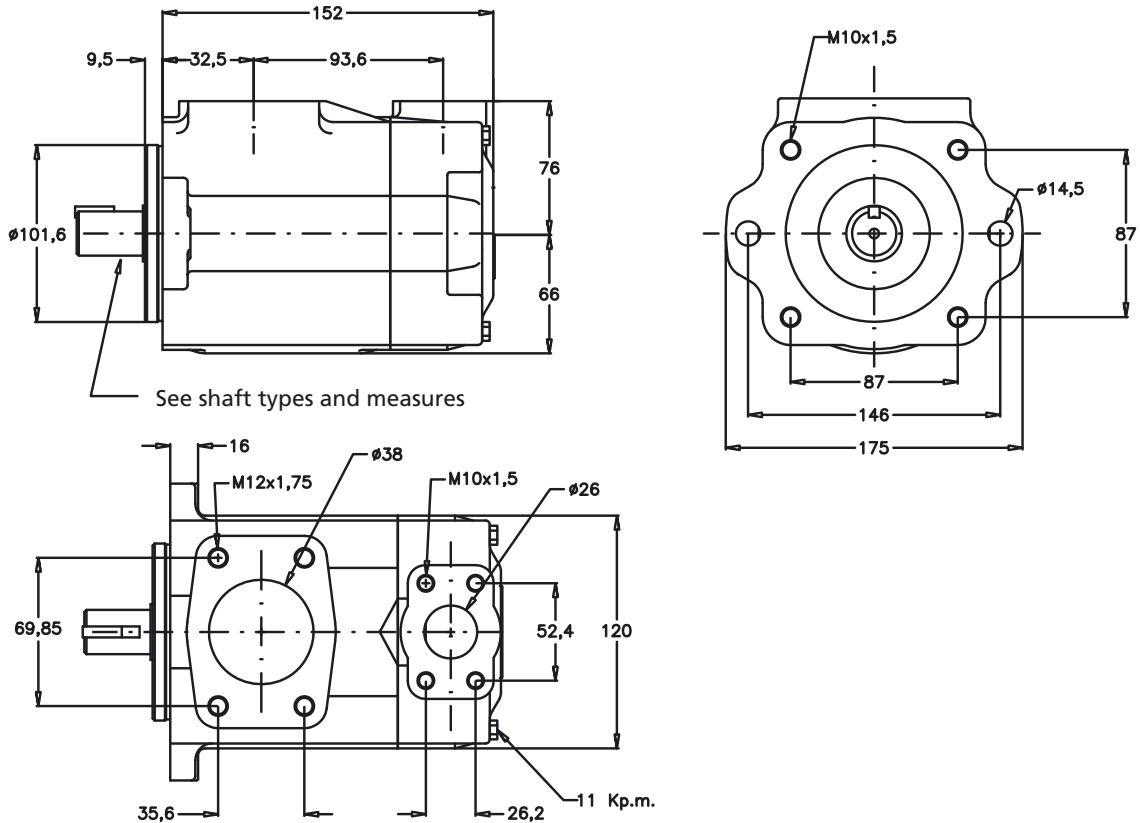


SINGLE VANE PUMP TYPE BHS-4 & BHQ-4

FLOW	SPEED (rpm)		PRES (BAR)		CONNECTION		WEIGHT (Kgs.)	
	Min.	Máx.	Contin.	Intermit.	Inlet	Outlet		
Lts at 1000 rpm	26	39	44	54	60	66	80*	85*
Gal at 1200 rpm	8	12	14	17	19	21	24*	27*
		600		2500*	175		210*	
					Ø38		Ø26	14,5

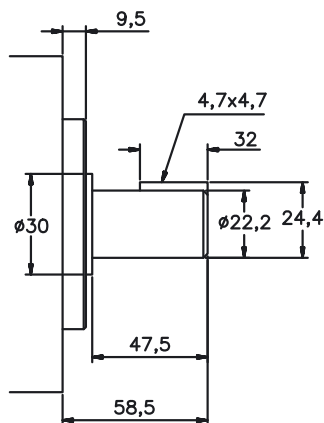
* For further details see general chart

DIMENSIONS IN MILLIMETERS 1" = 25.4 mm

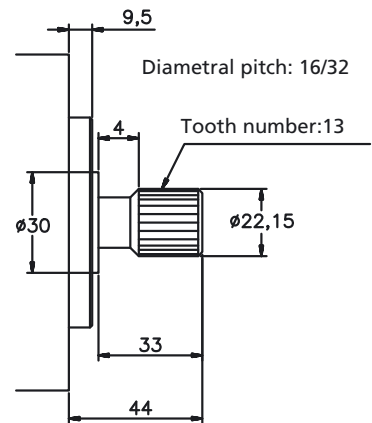


See shaft types and measures

N°1 Shaft



N°2 Shaft



Enquire about other types of shafts

SINGLE VANE PUMP TYPE BHS-4 & BHQ-4

FLOW AND INPUT POWER DIAGRAMS

