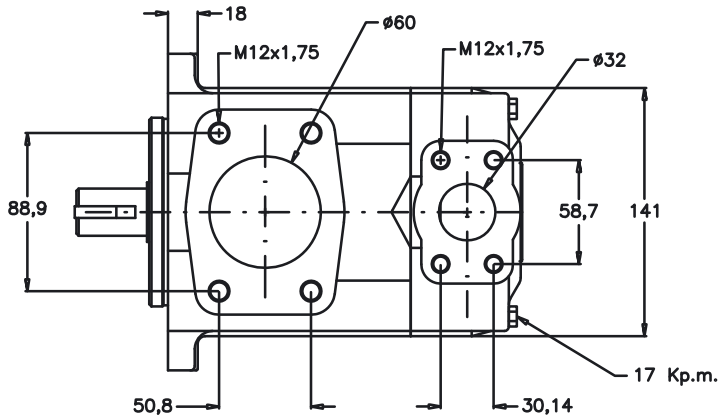
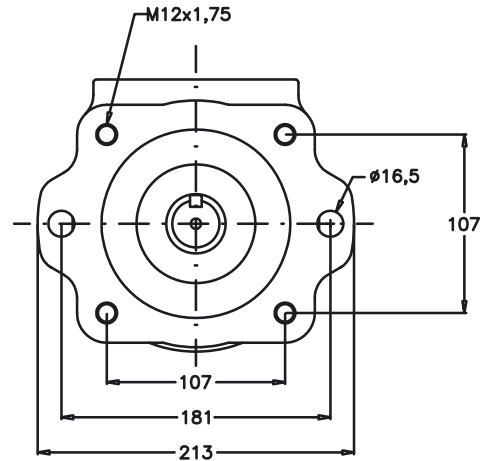
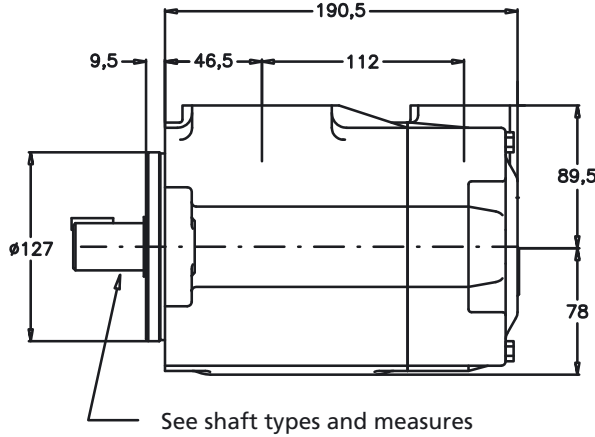


SINGLE VANE PUMP TYPE BHS-6 & BHQ-6

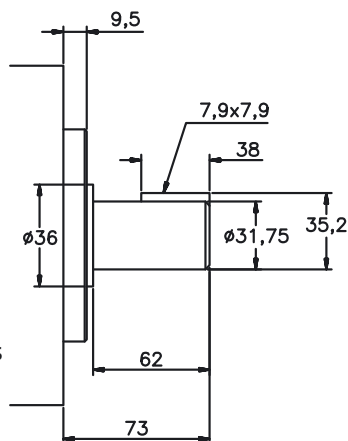
FLOW						SPEED (rpm)		PRES (BAR)		CONNECTION		WEIGHT (Kgs.)	
Lts at 1000 rpm	66	81	97	112	121	142*	Mín.	Máx.	Contin	Intermit.	Inlet	Outlet	26,3
Gal at 1200 rpm	21	25	30	35	38	45*	600	2400*	175	210*	Ø60	Ø32	

* For further details see general chart

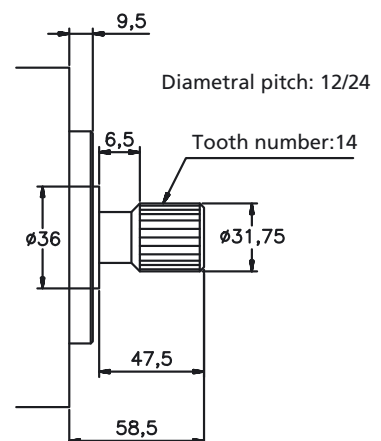
DIMENSIONS IN MILLIMETERS 1" = 25.4 mm



N°1 Shaft



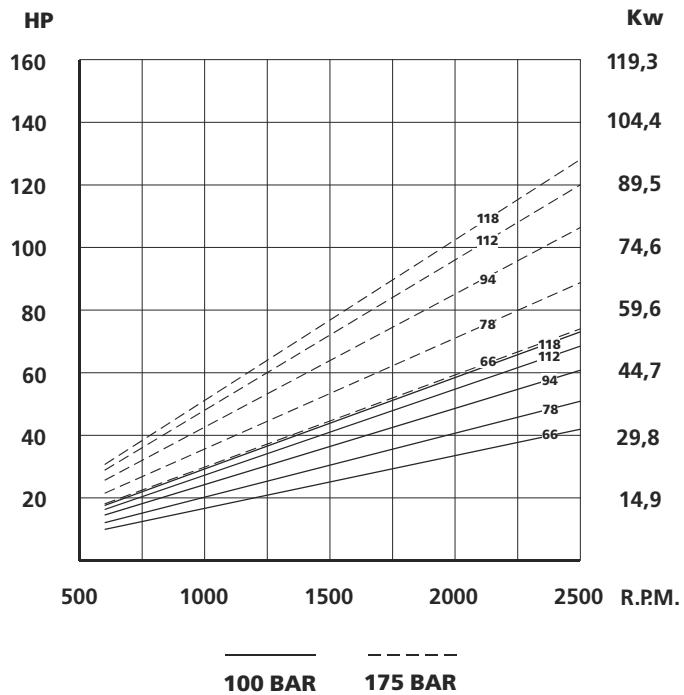
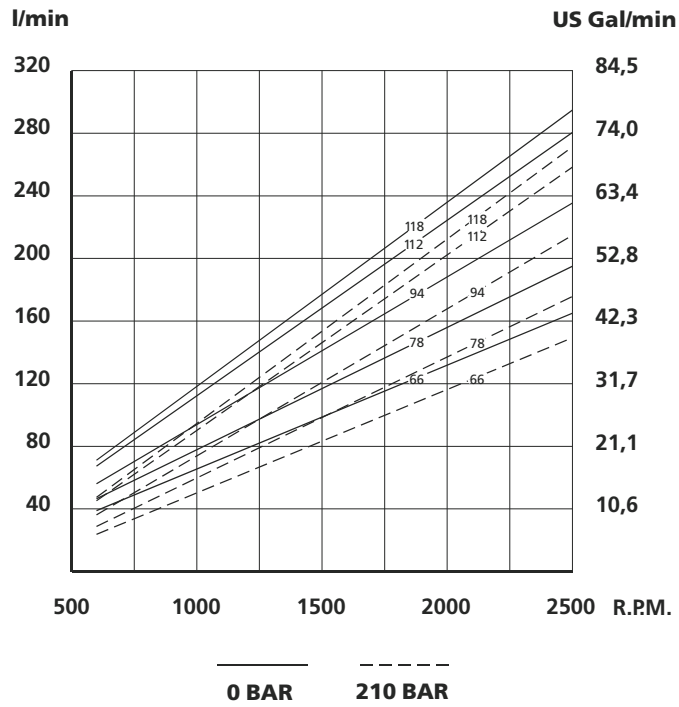
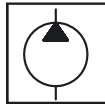
N°2 Shaft



Enquire about other types of shafts

SINGLE VANE PUMP TYPE BHS-6 & BHQ-6

FLOW AND INPUT POWER DIAGRAMS

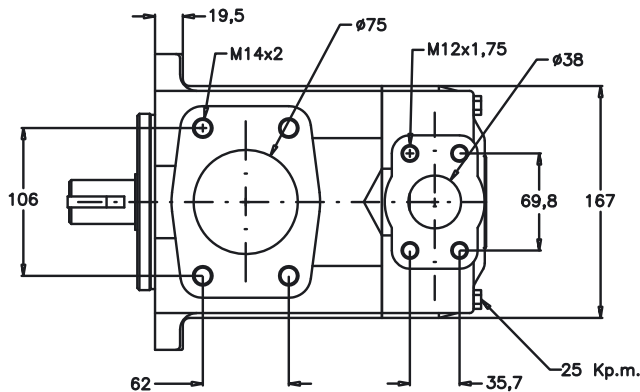
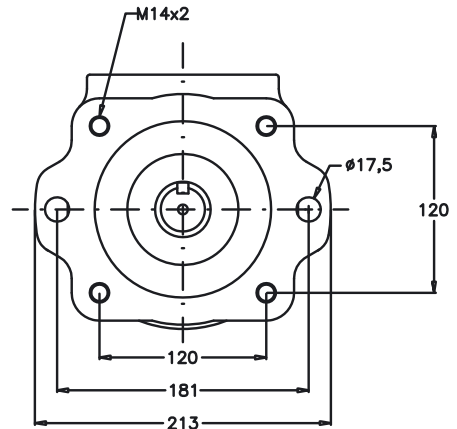
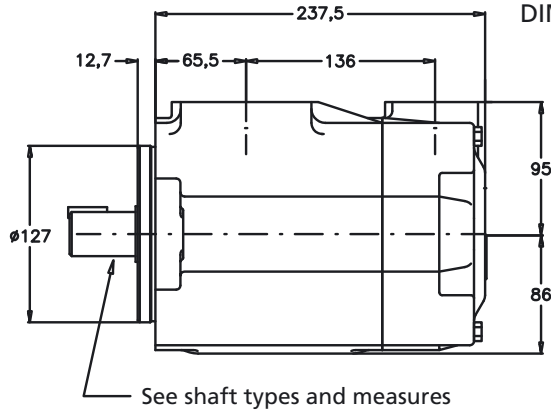


SINGLE VANE PUMP TYPE BHS-7 & BHQ-7

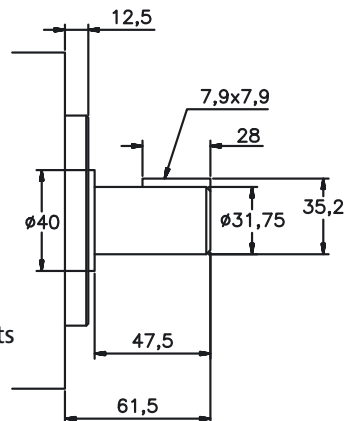
FLOW	SPEED (rpm)		PRES (BAR)		CONNECTION		WEIGHT (Kgs.)	
	Mín.	Máx.	Contin.	Intermit.	Inlet	Outlet		
Lts at 1000 rpm	138	148	162	180	193	214	240	38,3
Gal at 1200 rpm	42	47	50	57	60	67	75	
	600	2200*	155	175	Ø75	Ø38		

* For further details see general chart

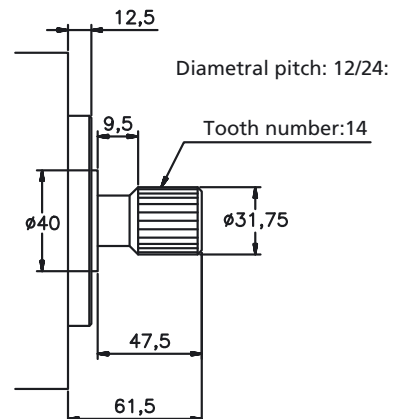
DIMENSIONS IN MILLIMETERS 1" = 25.4 mm



N°1 Shaft



N°2 Shaft



Enquire about other types of shafts