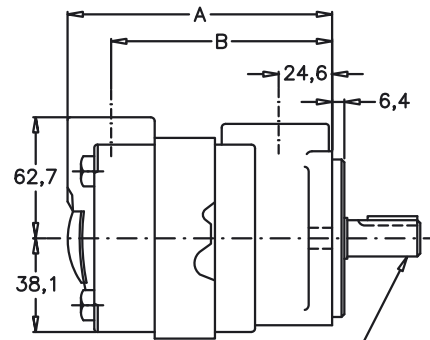
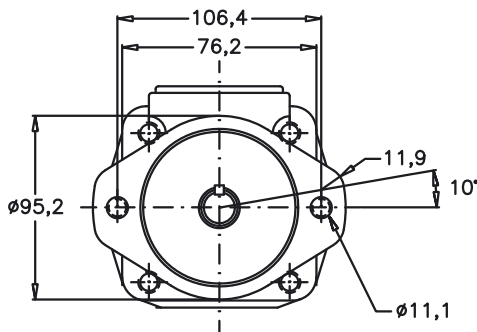


## SINGLE VANE PUMP TYPE VC-10

DIMENSIONS IN MILLIMETERS. 1" = 25,4 mm

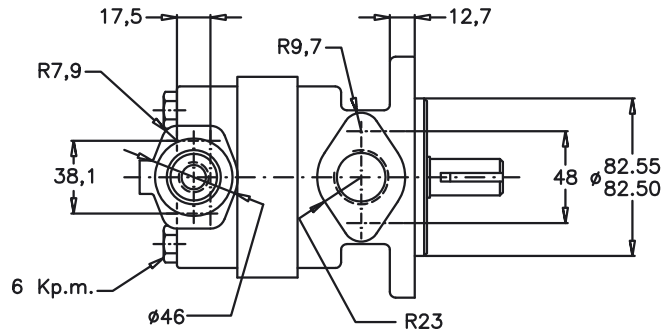
FLOW			SPEED (rpm)		PRESSURE (Ba r)		Nominal Power (2)	CONNECTION		WEIGHT (Kgs.)
Lts.at 1000 rpm	Gal.at 1200 rpm	Reduction (1)	Mín.	Máx.	Contin.	Intermit.		Inlet	Outlet	
3	1	0,8	600	4800	155	180	0,7	1" NPT	1/2" NPT	4,5
6	2	0,9		4500						
9	3	1,2		4000						
13	4	1,6		3400						
16	5	1,7		3200						
19	6	1,8		3000						
22	7	1,9		2800			140			

(1) & (2) see page 27.



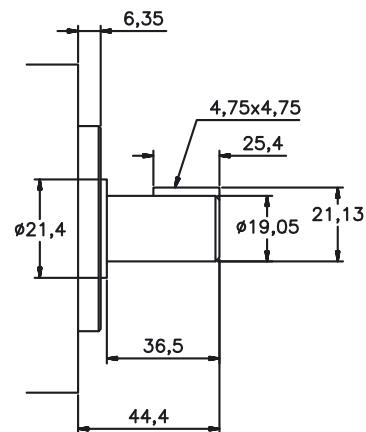
See shaft types and measures

Gallons	Dimension	
	A	B
1, 2, 3	115,6	91,9
4, 5	121,9	98,3
6, 7	127	103,4



Num.	Inlet	Outlet
02	1" BSP	1/2 BSP
03	1"5/16-12 UNF	3/4"-16 UNF
04	1" NPT	1/2" NPT

N°1 Shaft



Contact TDZ or your nearest distributor for other shaft types

## SINGLE VANE PUMP TYPE VC-10



### FLOW AND INPUT POWER DIAGRAMS

-----  
Max. pressure (180 bar)  
-----  
Pressure (7 bar)

