

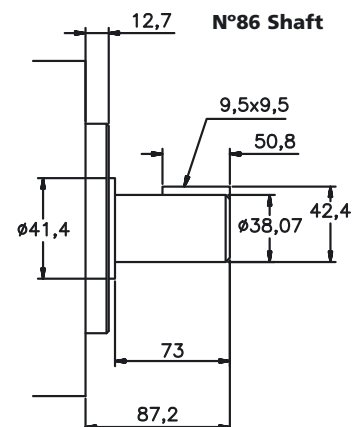
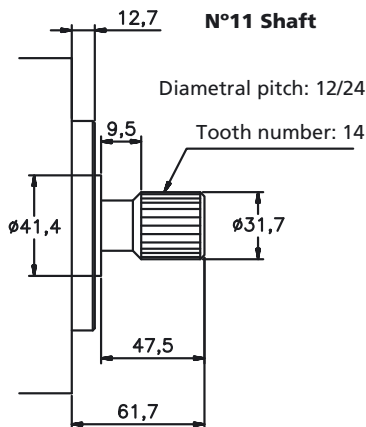
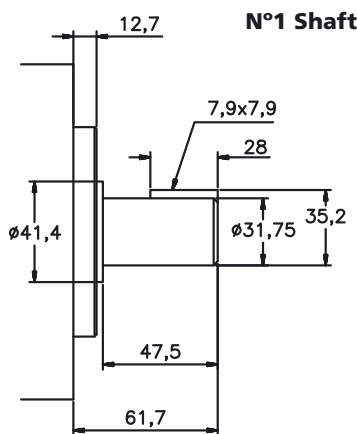
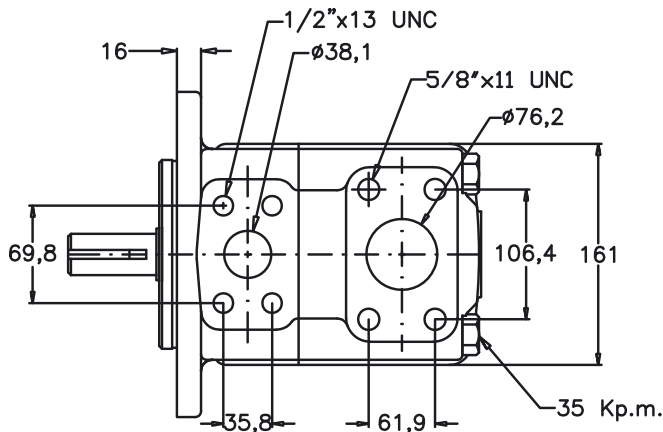
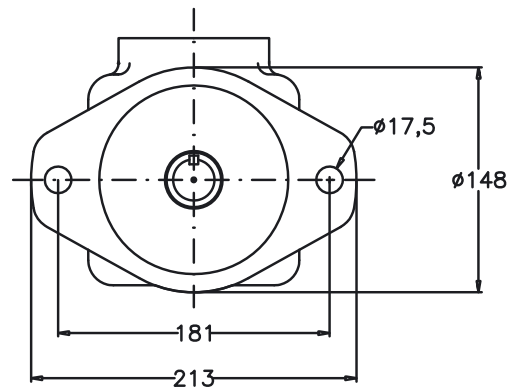
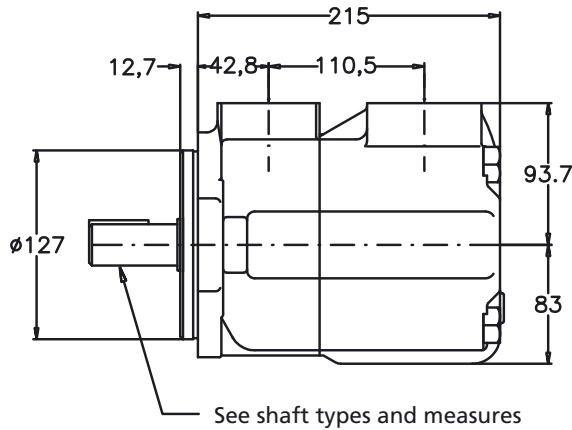
## SINGLE VANE PUMP TYPE VS-45 & VQ-45

DIMENSIONS IN MILLIMETERS. 1" = 25,4 mm

FLOW							SPEED (rpm)		PRES (BAR)		CONNECTION		WEIGHT (Kgs.)	
Lts.a 1000 rpm	138	148	162	180	193	214	240	Mín.	Máx.	Contin.	Intermit.	Inlet		Outlet
Gal. a 1200 rpm	42	47	50	57	60	67	75	600	2200*	155	175	Ø3"	Ø1" 1/2	35,5

\* For further details see general chart

DIMENSIONS IN MILLIMETERS 1" = 25.4 mm



Enquire about other types of shafts

SINGLE VANE PUMP TYPE VS-45 & VQ-45



FLOW AND INPUT POWER DIAGRAMS

