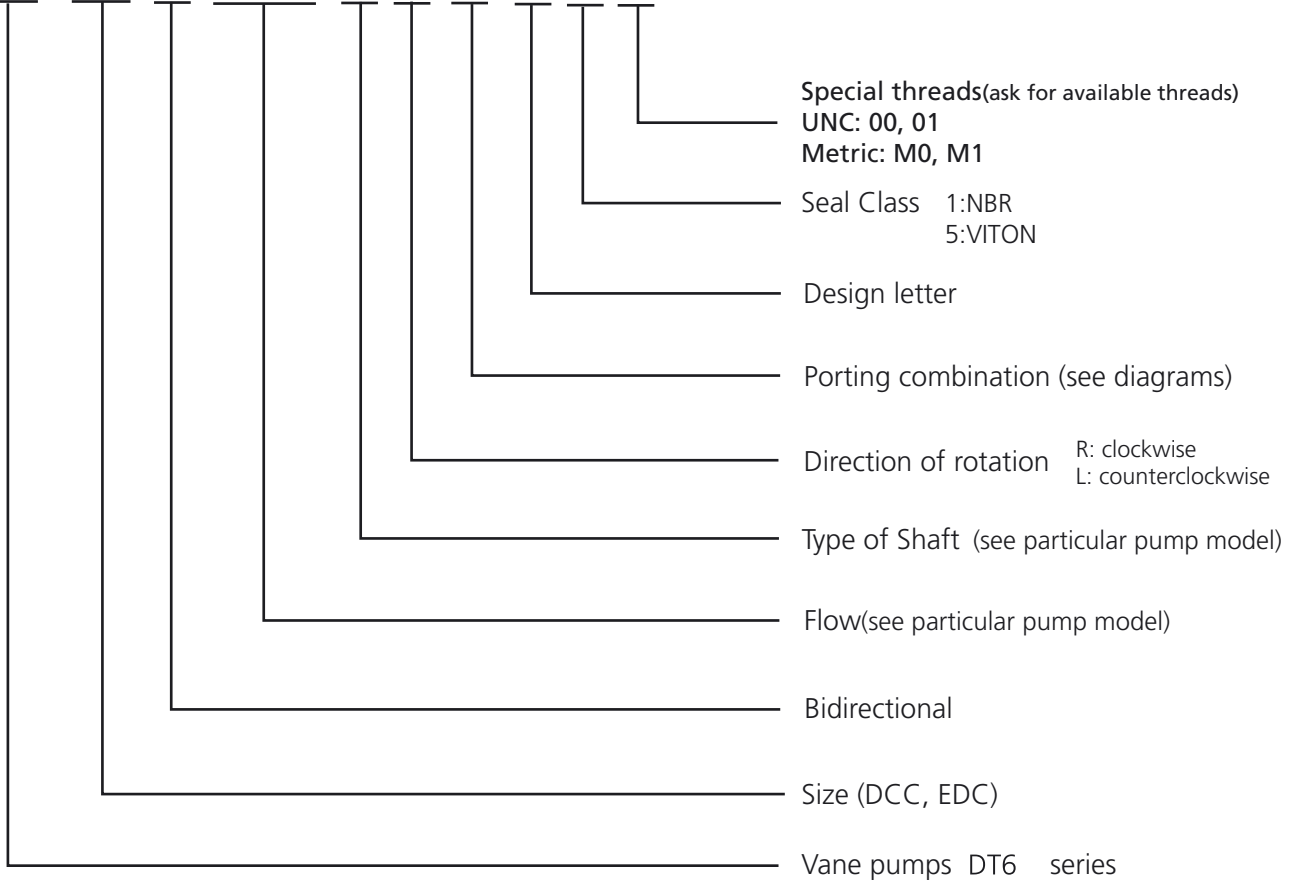


## DT6 TRIPLE VANE PUMPS ORDERING CODE

DATA SHEET

**DT6 - DCC - B - 62/38/70 - 1 - R - 00 - B - 1 - 00**



## DT6 TRIPLE VANE PUMPS - GENERAL CHARACTERISTICS

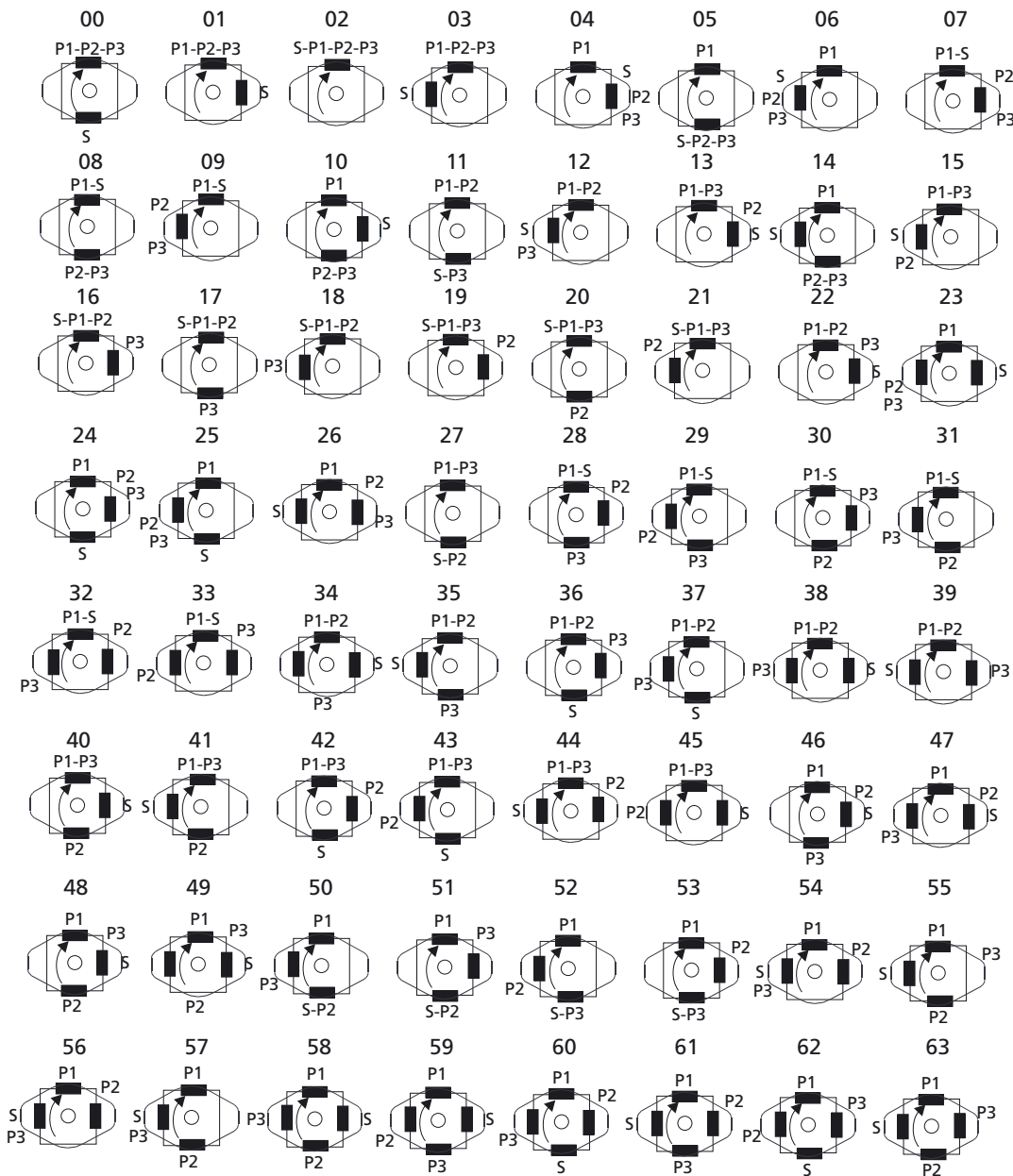
### TRIPLE VANE PUMPS

Series	P1			P2			P3			Maximum speed*	Front Flange Standard SAE j744c ISO 3019-1	Weight Kgs	SAE 4 holes flange			
	Cartridge model	Theoretical displacem. Cm <sup>3</sup> /rev	Maximum Pressure*	Cartridge model	Theoretical displacem. Cm <sup>3</sup> /rev	Maximum Pressure*	Cartridge model	Theoretical displacem. Cm <sup>3</sup> /rev	Maximum Pressure*				Suction	Pressure port		
												S	P1	P2	P3	
DT6DCC	014 - 061	47.6 - 190.5	240	003 - 031	10.8 - 100	275	003 - 031	10.8 - 100	275	2500	SAE C	61	4"	1.25"	1"	1" or 3/4"
DT6EDC	042 - 085	132.3 - 269.8	240	014 - 061	47.6 - 190.5	240	003 - 031	10.8 - 100	275	2200	ISO 3019-2	100	4"	1.5"	1.25"	1" or 3/4"

**\*IMPORTANT**  
 C - 025,028,031 - 2500 rpm maximum 028,031 - 210 bar max intermittent  
 D - 042,045,050 - 2200 rpm maximum 050 - 210 bar maximum intermittent - 061 - 120 bar maximum intermittent  
 E - 085 - 2000 rpm maximum - 90 bar maximum intermittent  
 See page 41 for further information about speed and pressure

### TRIPLE VANE PUMPS - PORTING COMBINATION

### DT6DCC-DT6EDC



S= Suction port | P1= Shaft end pressure port | P2= Middle pressure port | P3= Cover end pressure port

DATA SHEET

**DT6DCC - OPERATING CHARACTERISTICS**

DATA SHEET

**SHAFT END SECTION**

FLOW	SPEED (rpm)		PRESSURE (bar)								
	Mín.	Máx.	Intermit.	Contin.							
Lts/min.at 1000 rpm	48	66	80	90	98	111	120	136	146	158	191
Gal/min.at 1200 rpm	14	20	24	28	31	35	38	42	45	50	61
	500	2500*	240	210							

\* See page 41 for further information about speed & pressure.

**MIDDLE SECTION**

FLOW	SPEED (rpm)		PRESSURE (bar)										
	Mín.	Máx.	Intermit.	Contin.									
Lts/min.at 1000 rpm	11	17	21	26	34	37	46	58	64	70	79	89	100
Gal/min.at 1200 rpm	3	5	6	8	10	12	14	17	20	22	25	28	31
	500	2800*	275	240*									

\* See page 41 for further information about speed & pressure.

**COVER END SECTION**

FLOW	SPEED (rpm)		PRESSURE (bar)										
	Mín.	Máx.	Intermit.	Contin.									
Lts/min.at 1000 rpm	11	17	21	26	34	37	46	58	64	70	79	89	100
Gal/min.at 1200 rpm	3	5	6	8	10	12	14	17	20	22	25	28	31
	500	2800*	275	240*									

\* See page 41 for further information about speed & pressure.

**DT6DCC - FLOW & INPUT POWER DIAGRAMS**

**SHAFT END**

See **DT6D** Single Pumps for flow and input power diagrams (page 44)

**MIDDLE BODY**

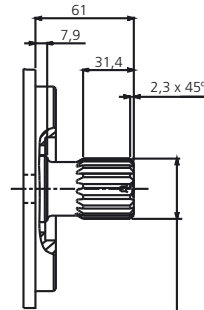
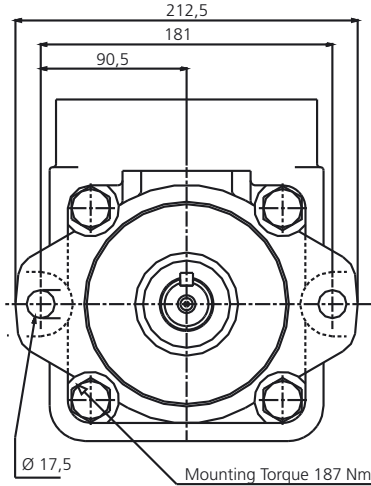
See **DT6C** Single Pumps for flow and input power diagrams (page 42)

**COVER END**

See **DT6C** Single Pumps for flow and input power diagrams (page 42)

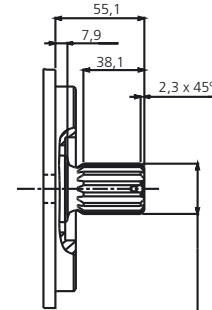
## TRIPLE PUMPS DT6DCC - DIMENSIONS

DIMENSIONS IN MILLIMETERS. 1" = 25,4 mm



Shaft Code 4

SAE CC Splined shaft  
1-J498b 12/24 d.p. -  
17 Teeth  
30° Pressure angle



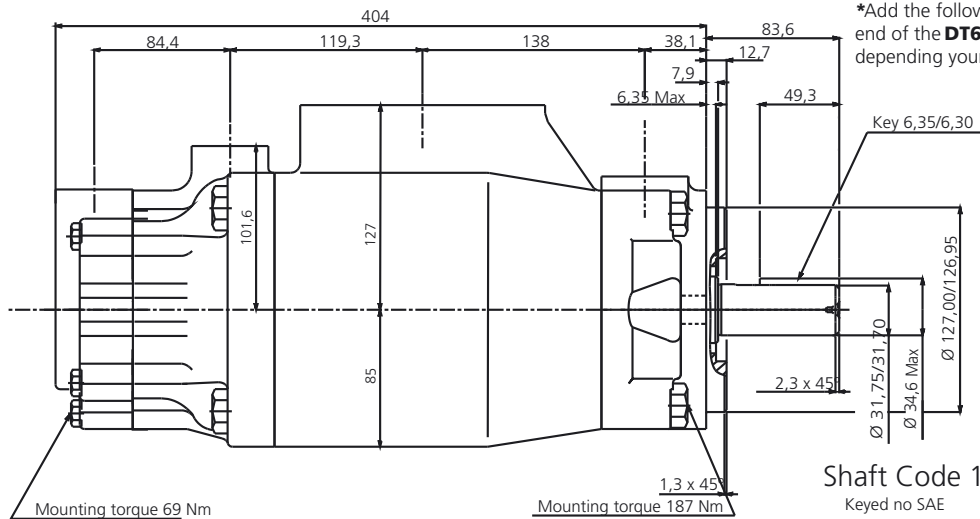
Shaft Code 3

SAE C Splined shaft  
1-J498b 12/24 d.p. -  
14 Teeth  
30° Pressure angle

Shaft Torque limits (cc/rev x bar)				
Pump	Shaft Code	V x P max (P1+P2+P3)	Shaft Code	V x P max (P1+P2+P3)
<b>DT6DCC</b>	1	43240	3	61200
<b>DT6DCCM</b>	2	66500	4	66500

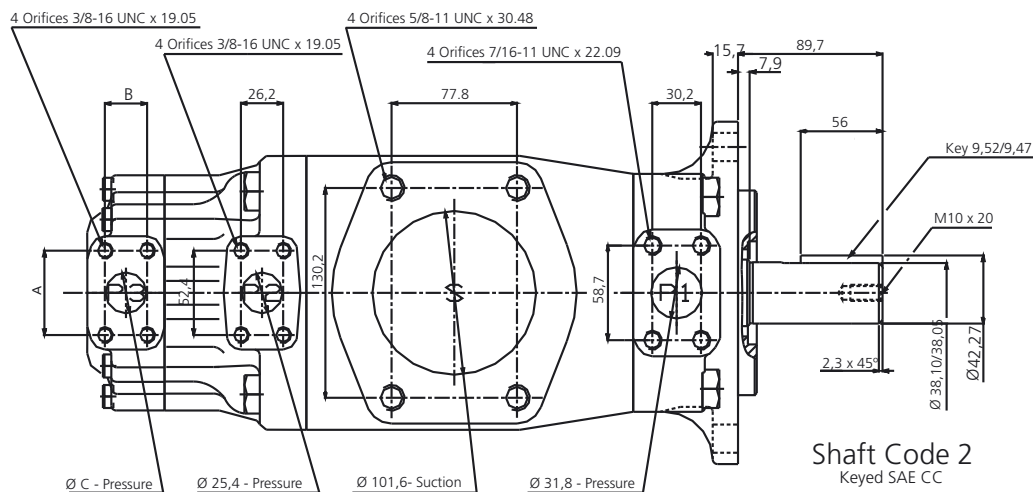
Alternate Ports				
Port	Code	A	B	C
P3	<b>00*</b>	52,4	26,2	25,4
P3	<b>01*</b>	47,6	22,1	19,0

\*Add the following numbers at the end of the **DT6DCC** reference depending your option.



Shaft Code 1

Keyed no SAE



Shaft Code 2

Keyed SAE CC

**DT6EDC - OPERATING CHARACTERISTICS**

DATA SHEET

**SHAFT END SECTION**

	FLOW								SPEED (rpm)		PRESSURE (bar)	
									Mín.	Máx.	Intermit.	Contin.
<b>Lts/min.at 1000 rpm</b>	132	142	156	165	197	213	227	270	500	2200*	240	210
<b>Gal/min.at 1200 rpm</b>	42	45	50	52	62	66	72	85	500	2200*	240	210

\* See page 41 for further information about speed & pressure.

**MIDDLE SECTION**

	FLOW										SPEED (rpm)		PRESSURE (bar)		
											Mín.	Máx.	Intermit.	Contin.	
<b>Lts/min.at 1000 rpm</b>	48	66	80	90	98	111	120	136	146	158	191	500	2500*	240	210
<b>Gal/min.at 1200 rpm</b>	14	20	24	28	31	35	38	42	45	50	61	500	2500*	240	210

\* See page 41 for further information about speed & pressure.

**COVER END SECTION**

	FLOW												SPEED (rpm)		PRESSURE (bar)		
													Mín.	Máx.	Intermit.	Contin.	
<b>Lts/min.at 1000 rpm</b>	11	17	21	26	34	37	46	58	64	70	79	89	100	500	2800*	275	240*
<b>Gal/min.at 1200 rpm</b>	3	5	6	8	10	12	14	17	20	22	25	28	31	500	2800*	275	240*

\* See page 41 for further information about speed & pressure.

**DT6EDC - FLOW & INPUT POWER DIAGRAMS**

**SHAFT END**

See **DT6E** Single Pumps for flow and input power diagrams (page 46)

**MIDDLE BODY**

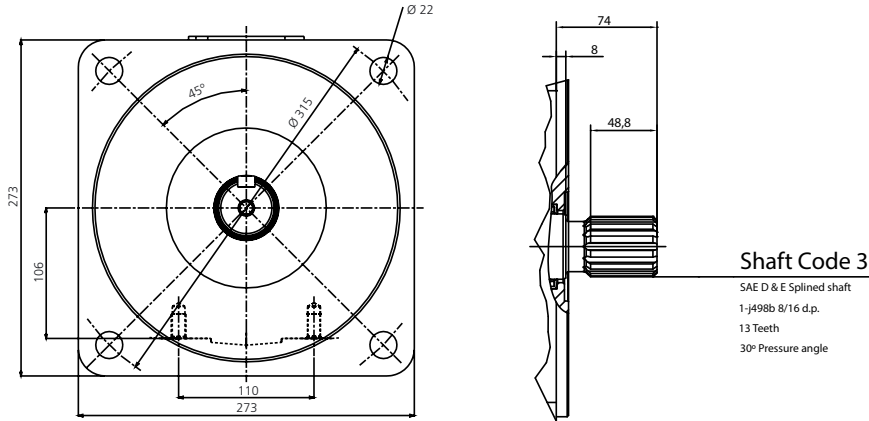
See **DT6D** Single Pumps for flow and input power diagrams (page 44)

**COVER END**

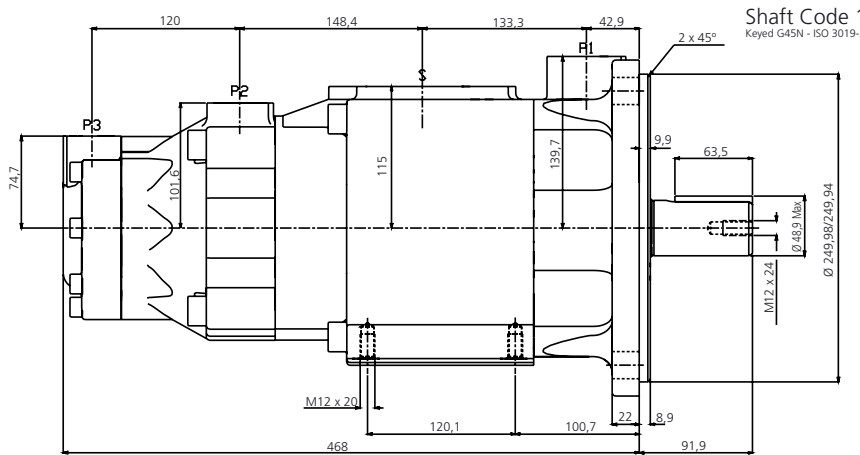
See **DT6C** Single Pumps for flow and input power diagrams (page 42)

## TRIPLE PUMPS DT6EDC/DT6EDCM - DIMENSIONS

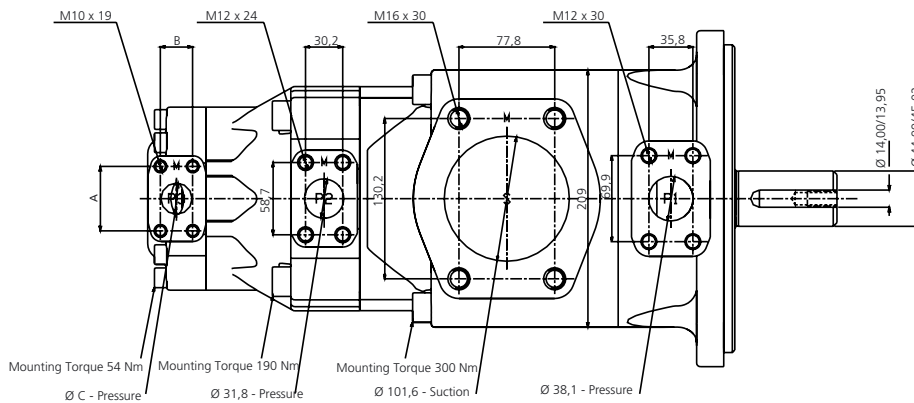
DIMENSIONS IN MILLIMETERS. 1" = 25,4 mm



**Shaft Code 3**  
SAE D & E Splined shaft  
1-J498b 8/16 d.p.  
13 Teeth  
30° Pressure angle



**Shaft Code 1**  
Keyed G45N - ISO 3019-2



Alternative ports				
Port	Code	A	B	C
P3	00*	52,4	26,2	25,4
P3	01*	47,6	22,1	19,0

\*Add the following numbers at the end of the **T6EDC** reference depending your option.

Please, contact **TDZ** for special shaft codes not included in this catalogue.

0 - \*

Modifications

Mounting w/connection variables  
0 = P3 = 1" SAE  
1 = P3 = 3/4" SAE