 www.khadamathydraulic.com
Tell: 021-55882749
Tell: 021-33488178
Fax: 021-33488105



Bezares Group

SINGLE VANE PUMPS WITH FLOW CONTROL & PRIORITY VALVE

-VC10F -VC10P

-VC20F -VC20P

VC ORDERING CODE

$$\frac{VC20}{1} \frac{(F)}{2} - \frac{1P11S}{3456} - \frac{1C}{789} \frac{(8)}{10} - \frac{(H)}{11} - \frac{(L)}{11}$$

DATA SHEET

1-Model

VC10, VC20

2-Cover

Omit - Standard Cover
 F - Flow Control Cover
 P* - Priority Valve Cover

3-Mounting

1 - 2 - Bolt Flange

4-Inlet Port Connection

S - 1.3125"-12 Str.thd. (VC10)
 - 1.625"-12 Str.thd. (VC20)
 P - 1.00" NPT (VC10)
 - 1.25" NPT (VC20)
 B - 1.00" BSP (VC10)
 - 1.25" BSP (VC20)

5-Delivery (USgpm at 1200 rpm)

VC10-1, 2, 3, 4, 5, 6, 7
 VC20-5, 6, 7, 8, 9, 10, 11, 12, 13

6-Outlet Port Connection

VC10F, VC10P, VC20F and VC20P
 S - 0.750"-16 Str.thd. for outlet and 1.0625"-12 Str. thd. For tank port (VC20F)
 P - 0.750"-16 Str.thd. for outlet and 0.500" NPT for tank port (VC10F and VC20F)
 T - 0.750"-16 Str.thd. for outlet and tank port (VC10F)
 - 0.750"-16 Str.thd. for primary outlet and tank port 0.875"-14 Str.thd.for secondary outlet (VC20P)
 K - 0.5625"-18 Str.thd. for primary outlet and tank port and 0.750"-16 Str.thd.for secondary outlet (VC10P)
 T - 0.750"-16 Str.thd. for outlet and 0.750"-16 Str.thd. for tank port (VC20F)

7-Shaft

1 - Straight keyed
 3 - Threaded with woodruff key
 6 - Woodruff key stub (VC20 only)
 11 - Splined
 12 - Splined (VC10 only)
 15 - Splined (VC20 only)
 38 - Splined (VC20 only)
 123 - Threaded with woodruff key

8-Outlet Port Position

(Viewed from cover end)
 A - Opposite inlet
 B - 90° CCW from inlet
 C - Inline with inlet
 D - 90° CW from inlet

9-Flow rate Setting for Flow control and

Priority Valve Cover L/min (USgpm)

2 - 7.6 (2)	6 - 22.7 (6)
3 - 11.4 (3)	7 - 26.5 (7)
4 - 15.2 (4)	8 - 30.3 (8)
5 - 19.0 (5)	

10-Pressurer Setting for Flow control and

Priority Valve Cover bar (psi)

A - 17 (250)	F - 103 (1500)
B - 34 (500)	G - 121 (1750)
C - 52 (750)	H - 138 (2000)
D - 69 (1000)	J - 155 (2200)
E - 86 (1250)	K - 172 (2500)

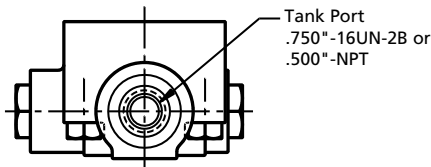
11-Shaft Rotation

(Viewed from shaft end)
 Omit - Turn right
 L - Turn left

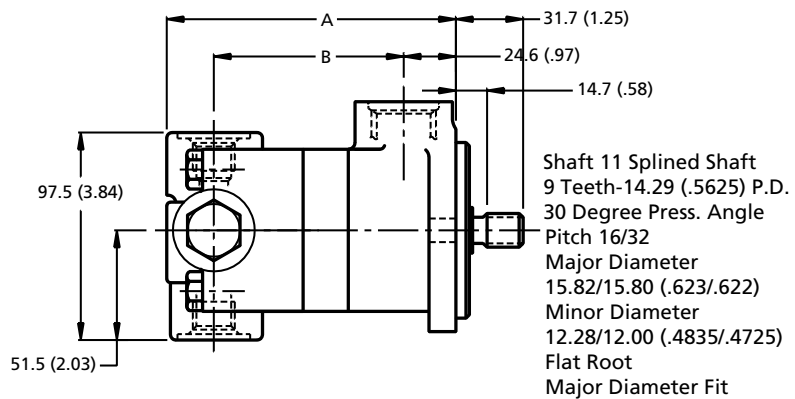
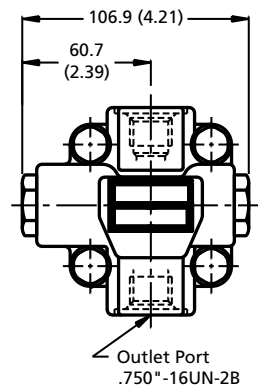
*VC10P / VC20P available under request

VC10F&P* INSTALLATION DIMENSIONS

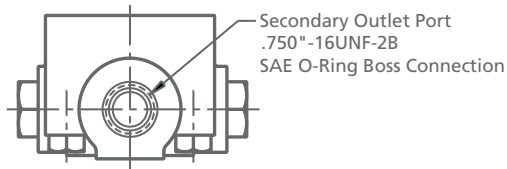
VC10F



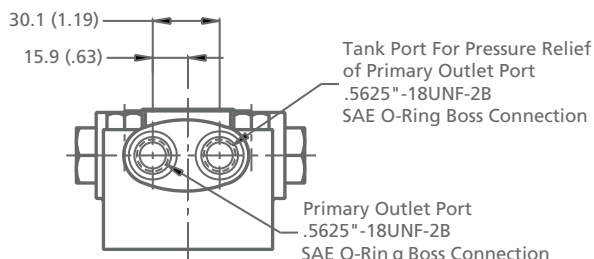
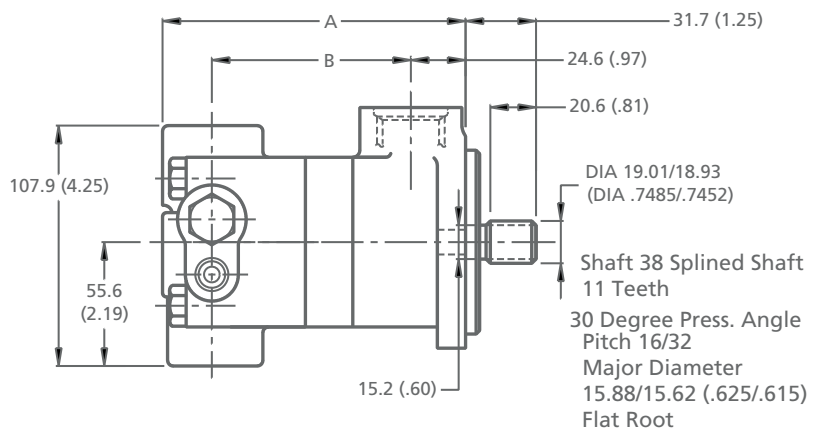
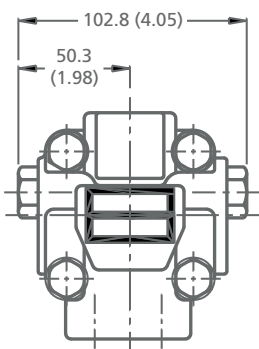
Delivery @ 1200 r pm & 7 bar(100 psi)	Dimension	
	A	B
1, 2, 3	128.8 (5.07)	84.8 (3.34)
4, 5	135.1 (5.32)	91.2 (3.59)
6, 7	140.2 (5.52)	96.3 (3.79)



VC10P*



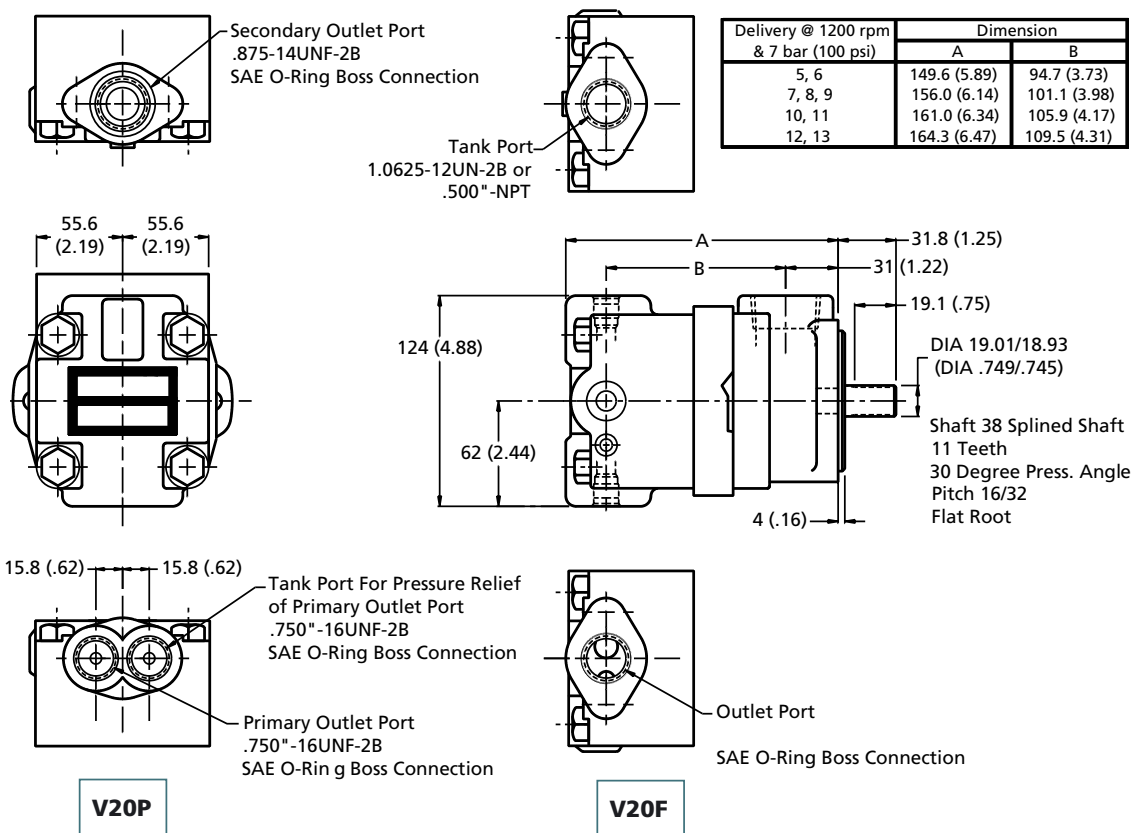
Delivery @ 1200 r pm & 7 bar(100 psi)	Dimension	
	A	B
1, 2, 3	130.0 (5.12)	84.8 (3.34)
4, 5	136.4 (5.37)	91.2 (3.59)
6, 7	141.5 (5.57)	96.3 (3.79)



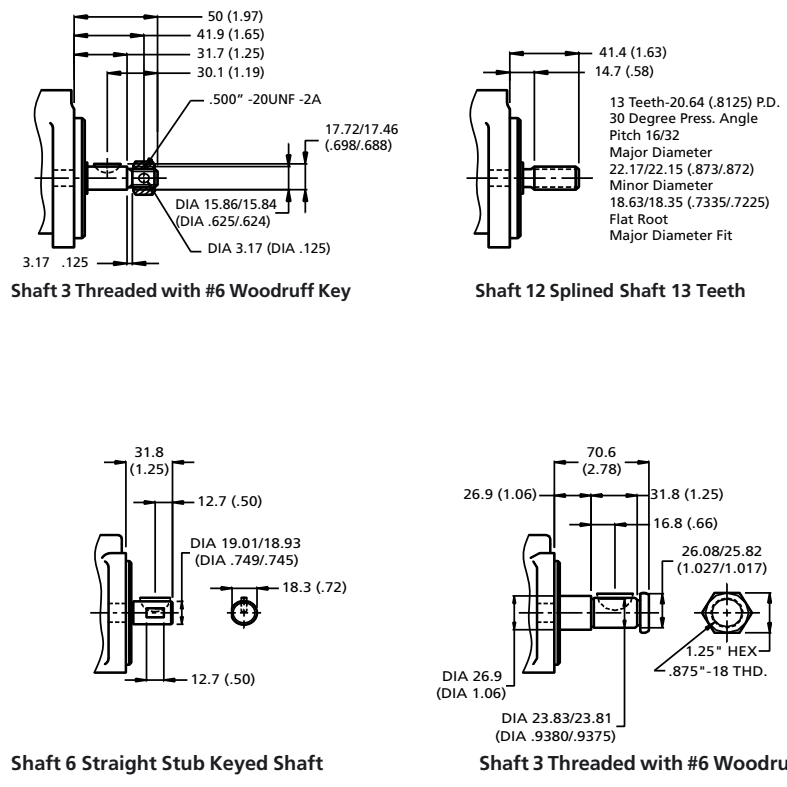
*VC10P / VC20P available under request

VC20F&P* INSTALLATION DIMENSIONS

DATA SHEET



SHAFT OPTIONS FOR VC10 SERIES AND VC20 SERIES

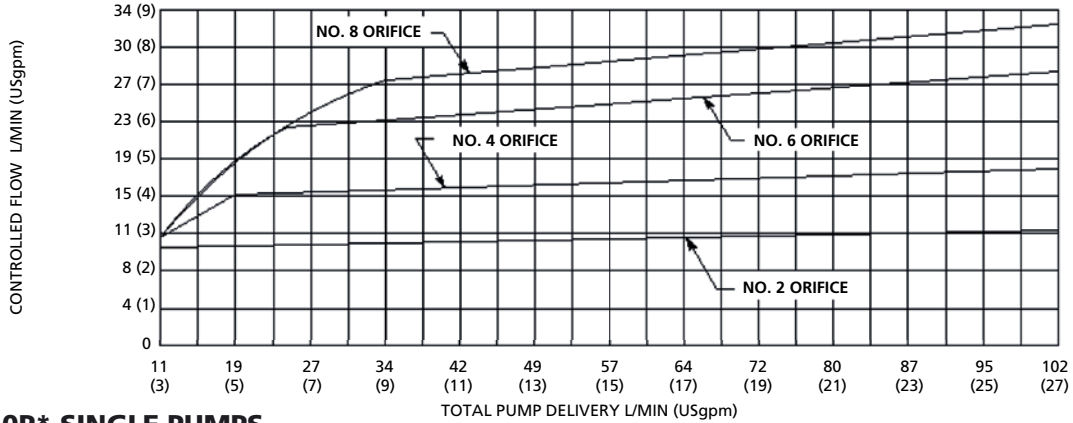


*VC10P / VC20P available under request

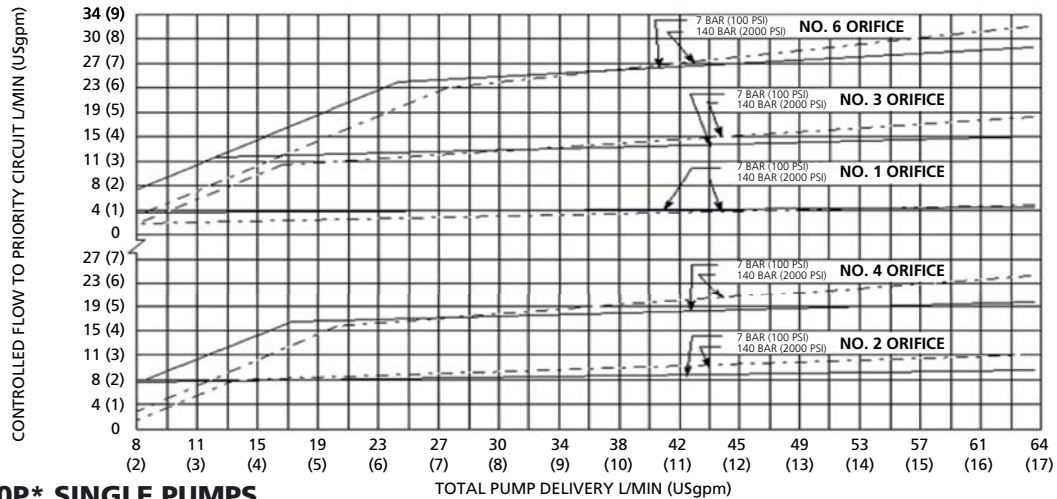
VC10 AND VC20 PERFORMANCE CHARACTERISTICS

Based on viscosity 32 cSt (150 SSU) oil at 49°C (120°F) and pump inlet at 0 PSIG (14.7 PSIA)

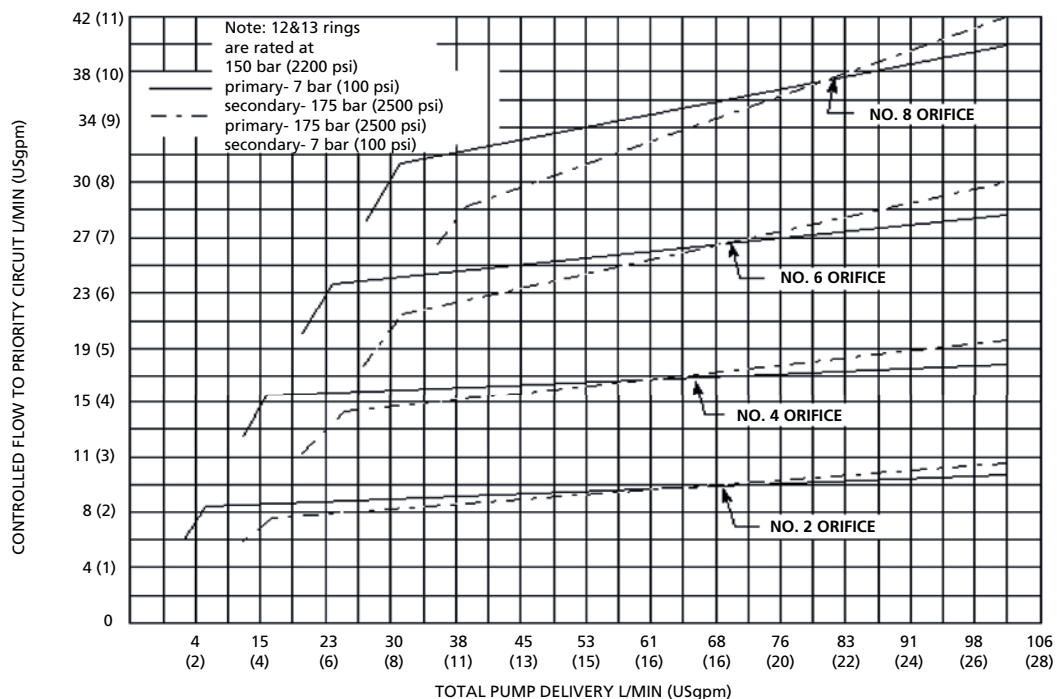
VC10F, VC20F SINGLE PUMPS



VC10P* SINGLE PUMPS



VC20P* SINGLE PUMPS



*VC10P / VC20P available under request