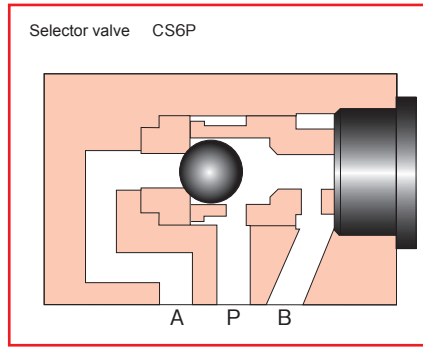
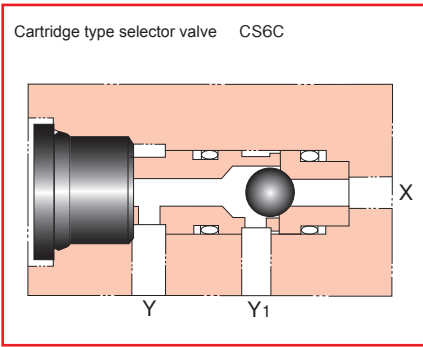
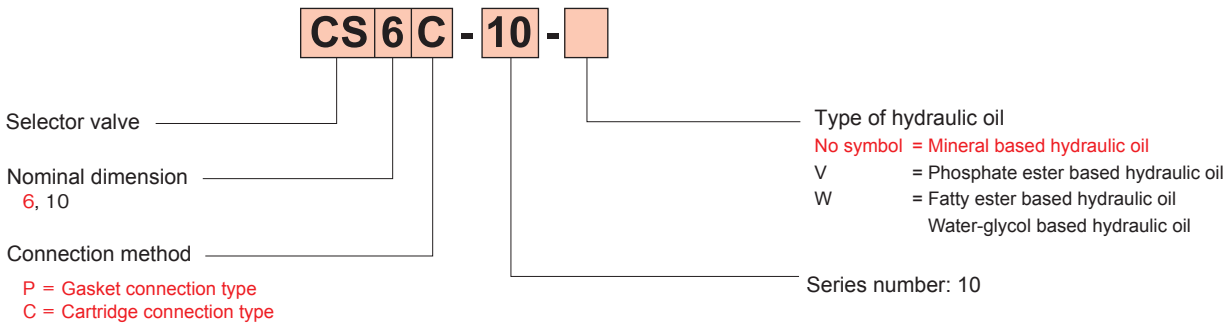
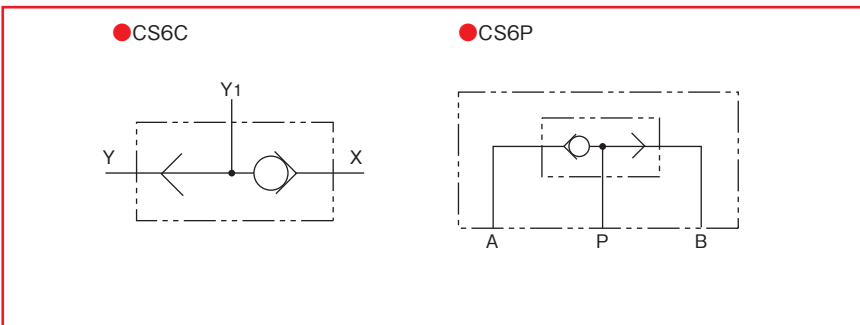

www.khadamathydraulic.com
 Tell: 021-55882749
 Tell: 021-33488178
 Fax: 021-33488105



Type indication



Hydraulic symbols



Specifications

	CS*C		CS*P	
	6	10	6	10
Nominal Dimension	6	10	6	10
Maximum working pressure MPa (kgf/cm ²)	41.2 (420)		30.9 (315)	
Maximum flow rate L/min ⁻¹	20	60	20	60
Mass kg	0.05	0.3	0.9	3.0

*1. Add restriction contraction to the manifold, if necessary, so as the flow rate to be the specified maximum value or lower even when expected maximum differential pressure is applied.

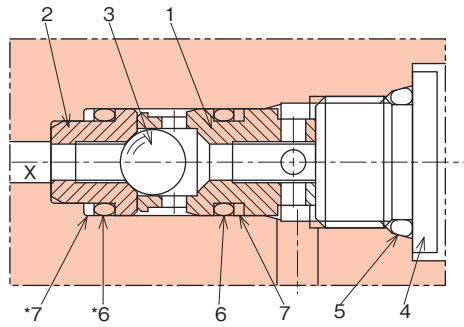
Accessories

Mounting bolt

Type	Hexagon socket head cap thread	Quantity	Tightening torque N·m (kgf·cm)
CS6P	M5×50L	4 pcs.	6.9±1.0 (70±10)
CS10P	M6×70L	4 pcs.	11.8±1.8 (120±18)

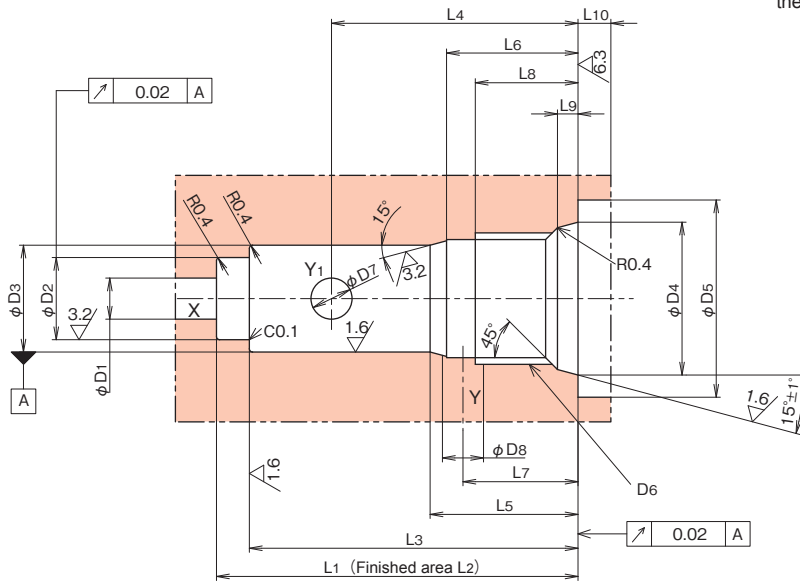
Dimension drawing

CS₁₀⁶C



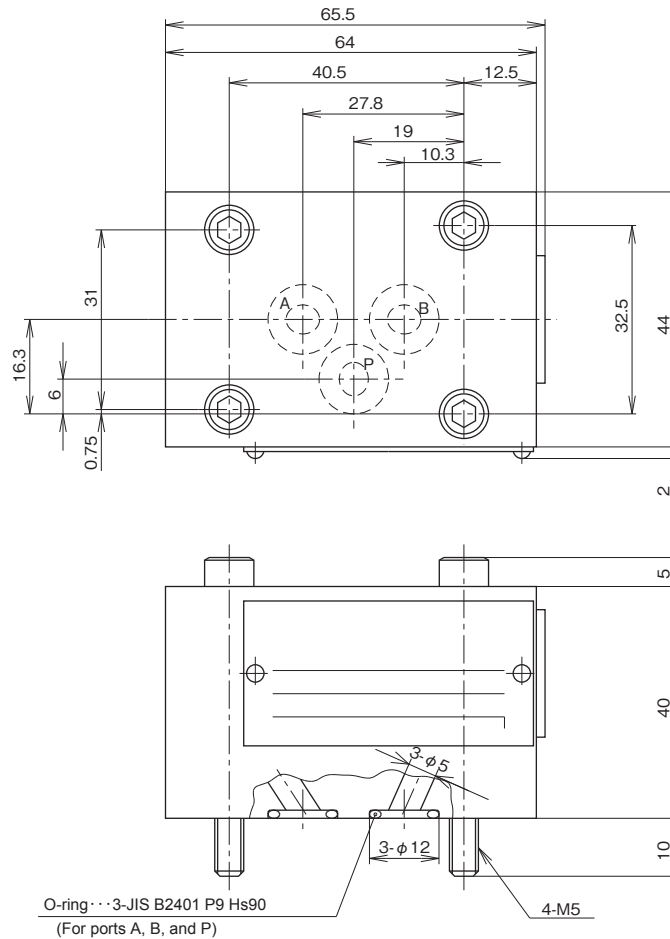
No.	Description
1	Sheet
2	Sheet
3	Steel ball
4	Plug
5	O-ring
6	O-ring
7	Backup ring

Caution for assembling
Put the backup ring *7, and O-ring *6 into the cartridge hole, and then inset the sheet 2.



Nominal dimension	L1 ^{+0.1} ₀	L2	L3 ^{+0.2} ₀	L4	L5 ^{+0.5} ₀	L6	L7	L8	L9 ^{+0.4} ₀	L10	D1	D2	D3	D4 ^{+0.1} ₀	D5	D6	D7	D8
6	44	42.5	40	30	18	16	14	12.5	2.5	4	5	10H8 ^{+0.022} ₀	13H8 ^{+0.027} ₀	18.6	24	M16×1.5	5	5
10	65	63	61	45	26.5	24	19	16.5	3.5	4	10	22H7 ^{+0.021} ₀	28H7 ^{+0.021} ₀	35.8	41	G1	11.5	11.5

●CS6P



●CS10P

