



www.khadamathydraulic.com
Tell: 021-55882749
Tell: 021-33488178
Fax: 021-33488105



Bulletin PM1628-10-M1/USA

Parker Pumps Parts & Service

Effective: November, 2000
Supersedes: June, 1998

PVP Series Variable Volume Piston Pump Service Bulletin

Model
PVP100**** 10
PVP140**** 10

 **WARNING**

FAILURE OR IMPROPER SELECTION OR IMPROPER USE OF THE PRODUCTS AND/OR SYSTEMS DESCRIBED HEREIN OR RELATED ITEMS CAN CAUSE DEATH, PERSONAL INJURY AND PROPERTY DAMAGE.

This document and other information from Parker Hannifin Corporation, its subsidiaries and authorized distributors provide product and/or system options for further investigation by users having technical expertise. It is important that you analyze all aspects of your application and review the information concerning the product or system in the current product catalog. Due to the variety of operating conditions and applications for these products or systems, the user, through its own analysis and testing, is solely responsible for making the final selection of the products and systems and assuring that all performance, safety and warning requirements of the application are met.

The products described herein, including without limitation, product features, specifications, designs, availability and pricing, are subject to change by Parker Hannifin Corporation and its subsidiaries at any time without notice.

Offer of Sale

The items described in this document are hereby offered for sale by Parker Hannifin Corporation, its subsidiaries or its authorized distributors. This offer and its acceptance are governed by the provisions stated in the "Offer of Sale".

© Copyright 2000, Parker Hannifin Corporation, All Rights Reserved

Pump Cut-A-Way 4-5

Control Options 6

Compensator Assemblies..... 7

Hi-Lo Control 8

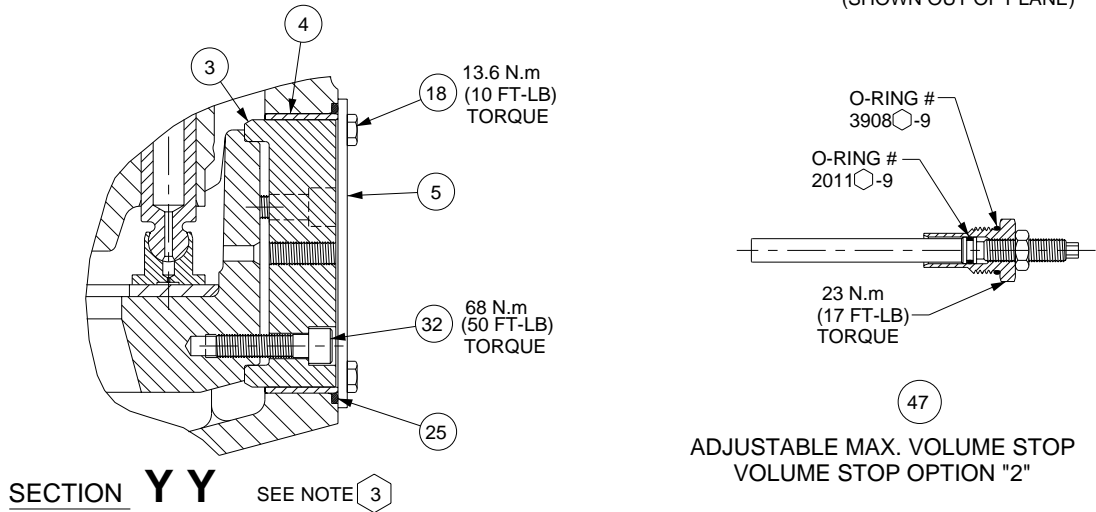
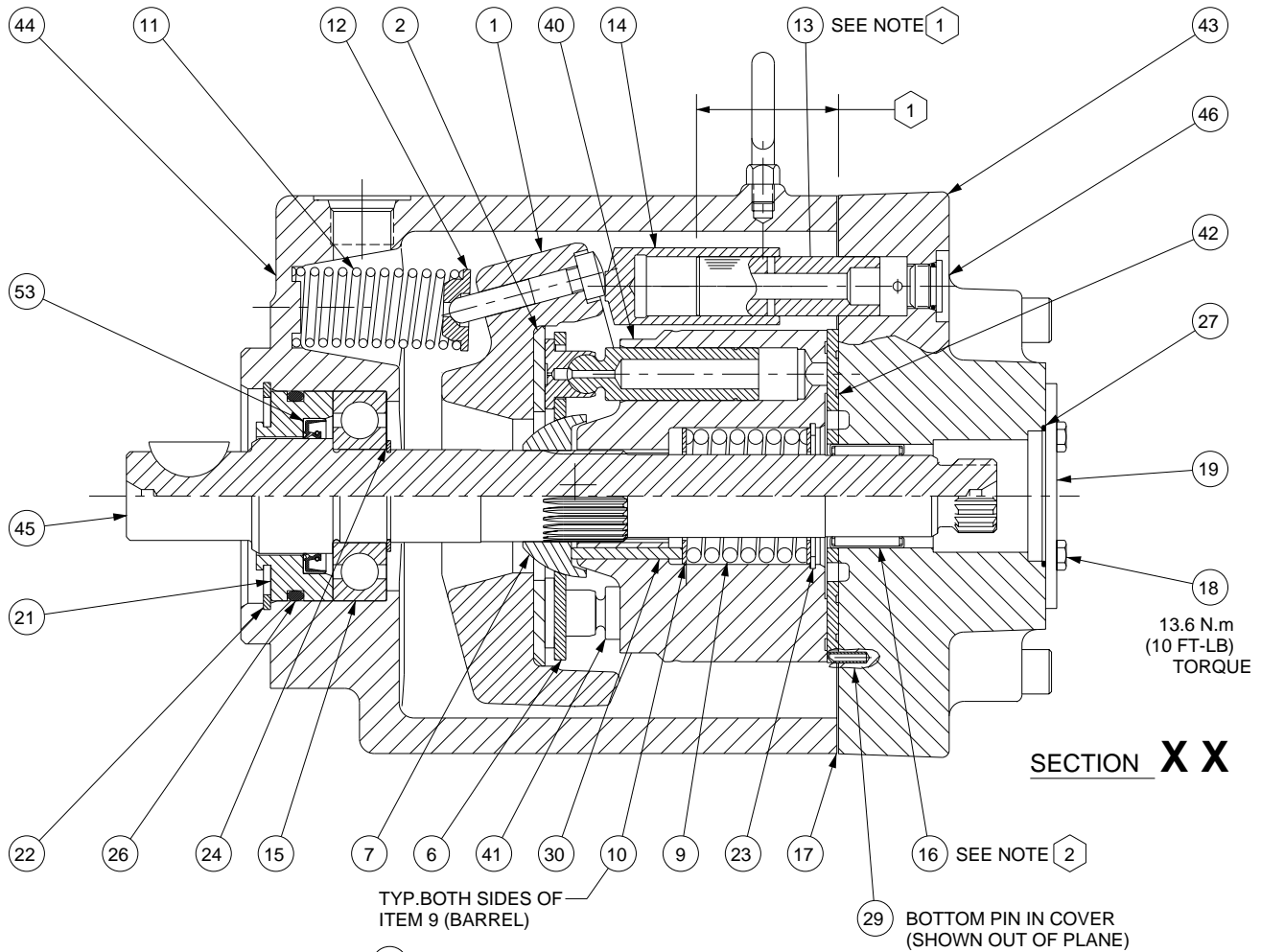
Thru-Shaft Options 9

Exploded View..... 10-11

Ordering Information..... 12-13

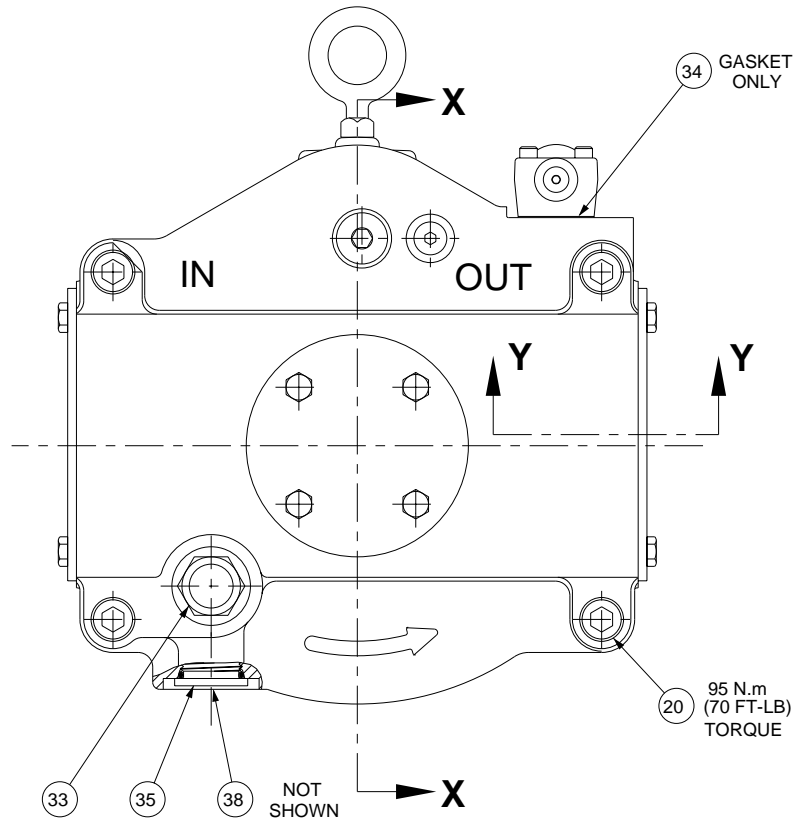
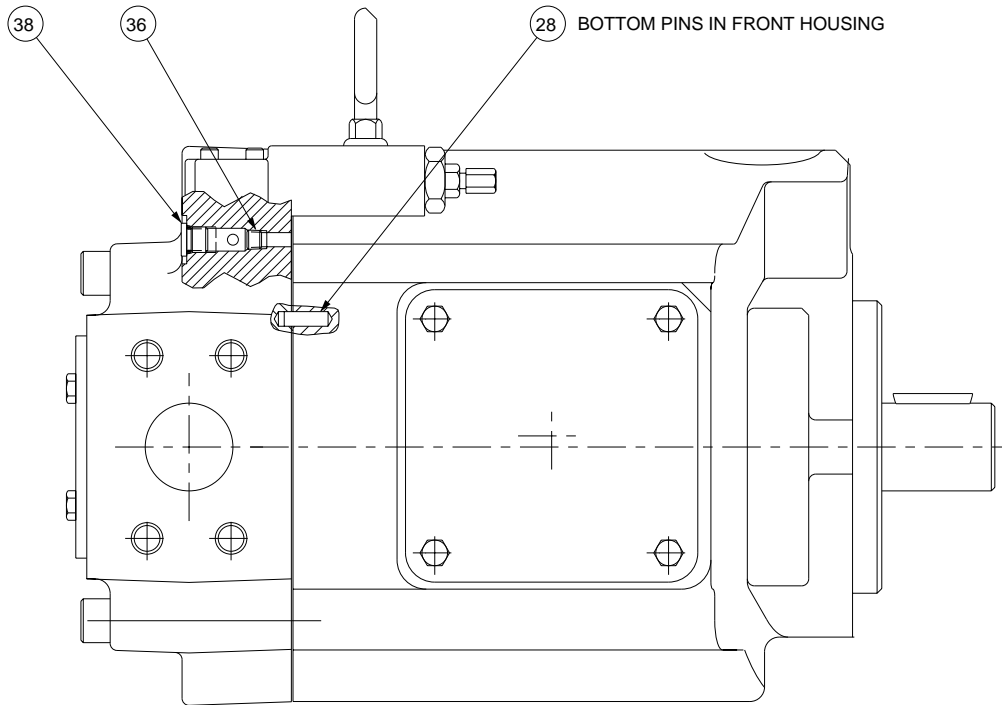
Service Procedure 14

Offer Of Sale 15

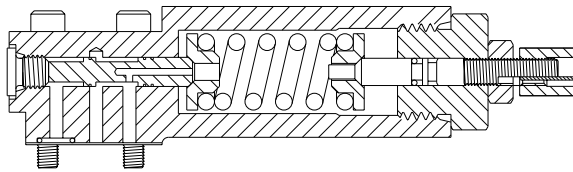


NOTES:

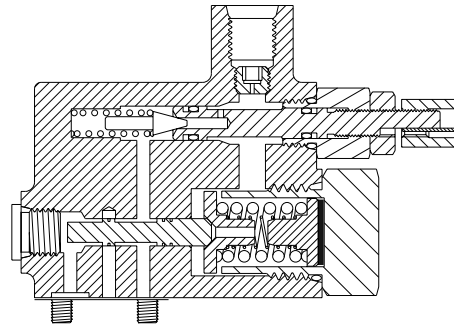
- 1 INITIAL INSTALLED HEIGHT OF ITEM 13 (SERVO POST) ABOVE ITEM 43 (REAR COVER) TO BE 61.60/61.84 mm (2.425/2.435")-POST INCLUDED WITH COVER ASSEMBLY.
- 2 INSTALLED HEIGHT OF ITEM 16 (NEEDLE BRG) ABOVE ITEM 43 (REAR COVER) TO BE 3.30/3.81 mm (.130/.150")-BEARING INCLUDED WITH COVER ASSEMBLY.
- 3 INSTALL ITEM 4 (BUSHING) FLUSH TO .76 mm (0.00/.030) BELOW OUTER SURFACE.
4. PUMPS SHOWN ARE RIGHT HAND (CW) ROTATION. LEFT HAND ROTATION PUMPS HAVE PRESSURE, SUCTION & COVER DRAIN PORT REVERSED. COMPENSATOR IS ALSO ON OPPOSITE SIDE.



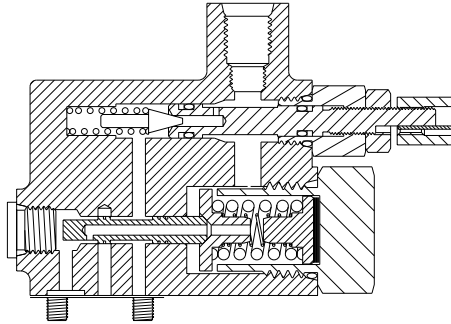
COMPENSATOR ASSEMBLIES



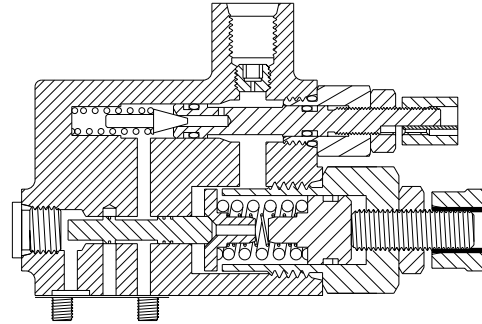
"OMIT" COMPENSATOR ITEM 54



"ME" COMPENSATOR ITEM 56



REMOTE CONTROL OPTION "M"
 REQ'D W/HI-LO OPTION "HLM"
 ITEM 55



LOAD SENSE OPTION "A"
 REQ'D W/HI-LO OPTION "HLA"
 ITEM 57

**"S" & "SE"
 SERVO OPTION**

P/N: 788565
 SERVO VOLUME ASSY ITEM 59

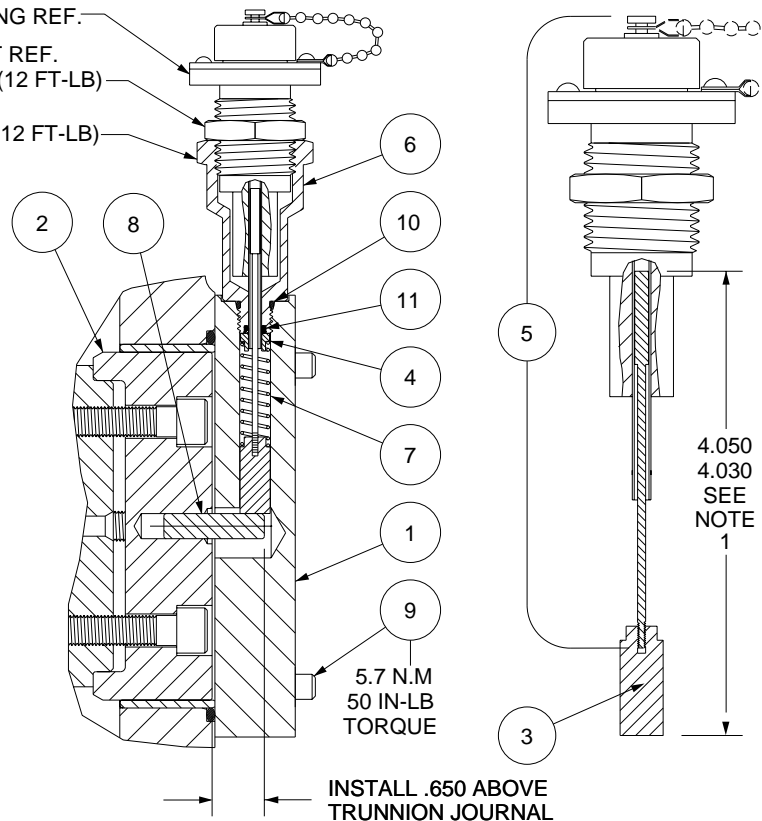
ITEM	PART NO.	QTY	DESCRIPTION
1	788561	1	LVDT BLOCK
2	788562	1	TRUNNION JOURNAL
3	788563	1	LVDT BUTTON
4	788564	1	SPRING GUIDE
5	694108-2	1	LVDT ASSY
6	786486	1	SERVO HOUSING
7	801252	1	SPRING
8	117X177	1	1-1/4X5/16 DOWEL
9	10X227	4	CAP SCREW
10	3904-9	1	O-RING
11	2007-7	1	O-RING

NOTE:

1. INSTALL PROBE OF LVDT ASSY INTO ITEM 3 WITH LOCTITE 609 TO DIMENSION SHOWN.
2. LOOSEN JAM NUT, TURN LVDT HOUSING UNTIL FEEDBACK VOLTAGE OF 2.9/3.0 VOLTS IS OBTAINED AT TP3 (AP11) OR TP3 AND TP4 (AP211). RE-TIGHTEN JAM NUT.
3. AVAILABLE ON PVP140 ONLY.

LVDT HOUSING REF.

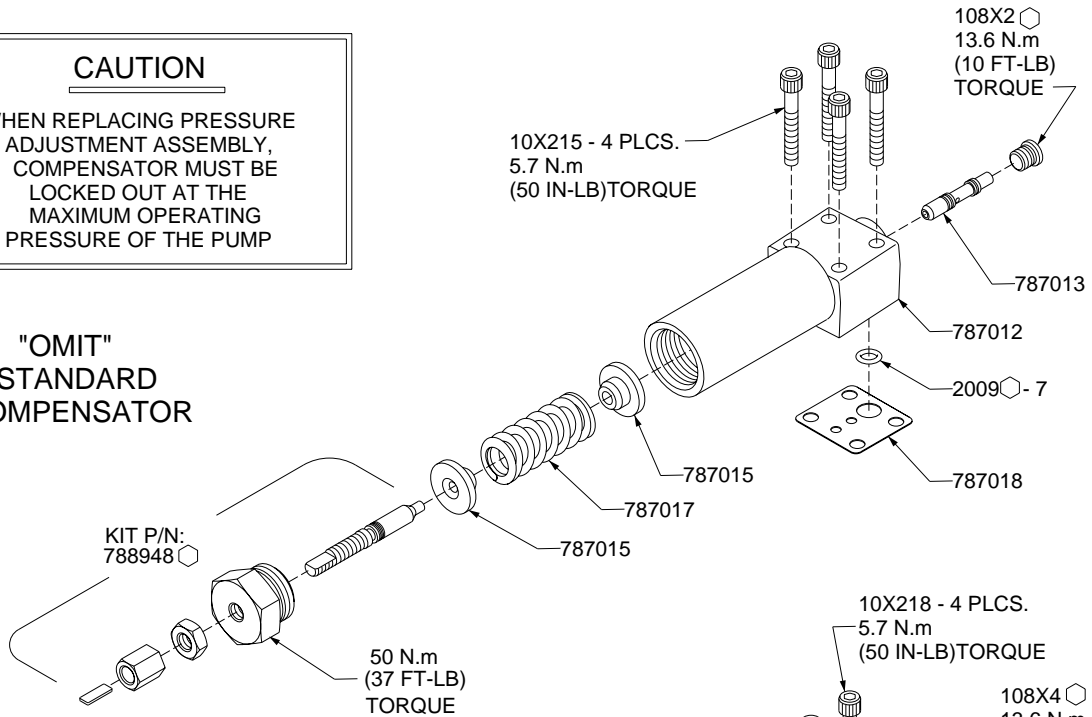
JAM NUT REF.
 13.8 N.m (12 FT-LB)
 TORQUE
 16.6 N.m (12 FT-LB)
 TORQUE



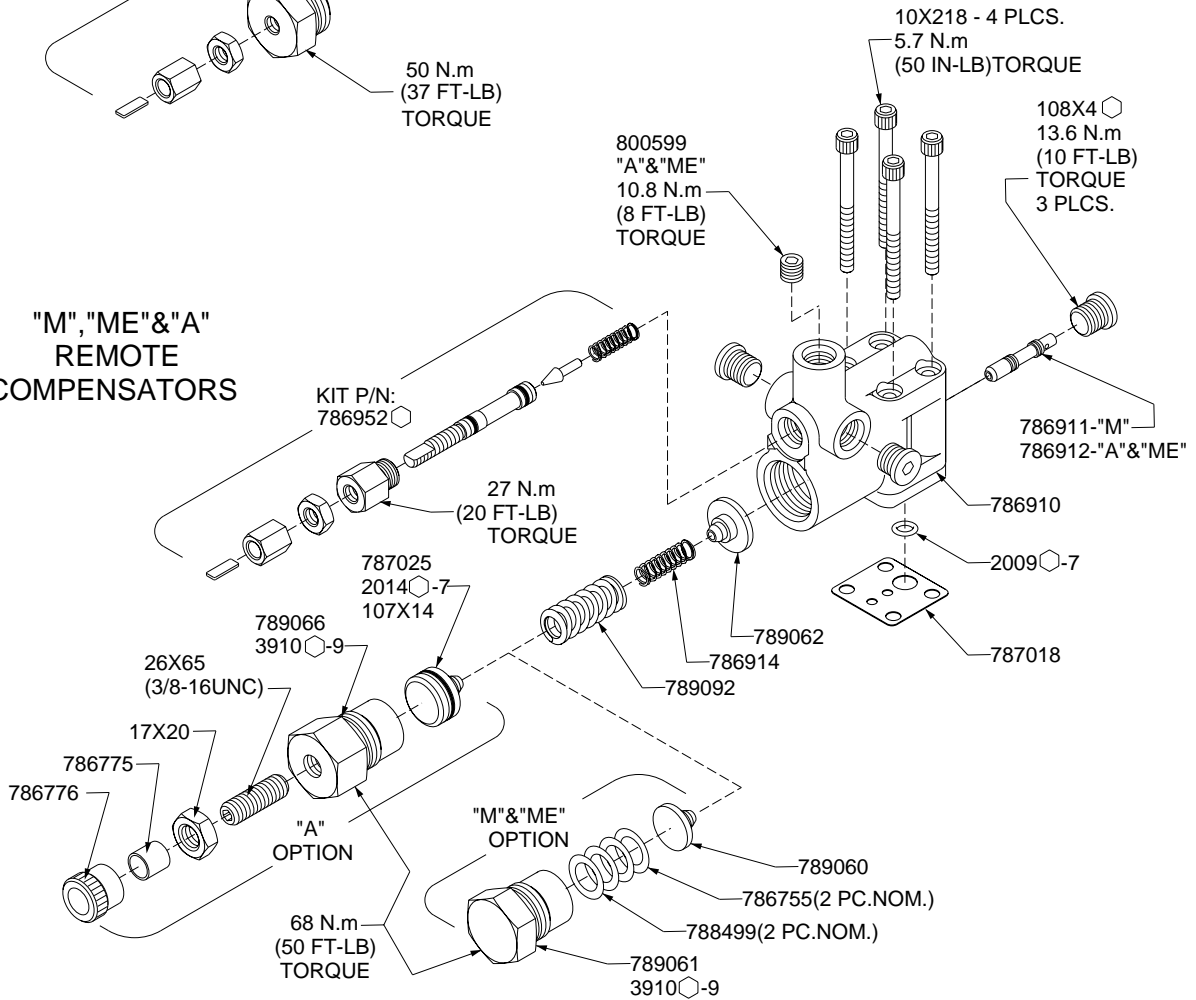
CAUTION

WHEN REPLACING PRESSURE ADJUSTMENT ASSEMBLY, COMPENSATOR MUST BE LOCKED OUT AT THE MAXIMUM OPERATING PRESSURE OF THE PUMP

"OMIT" STANDARD COMPENSATOR

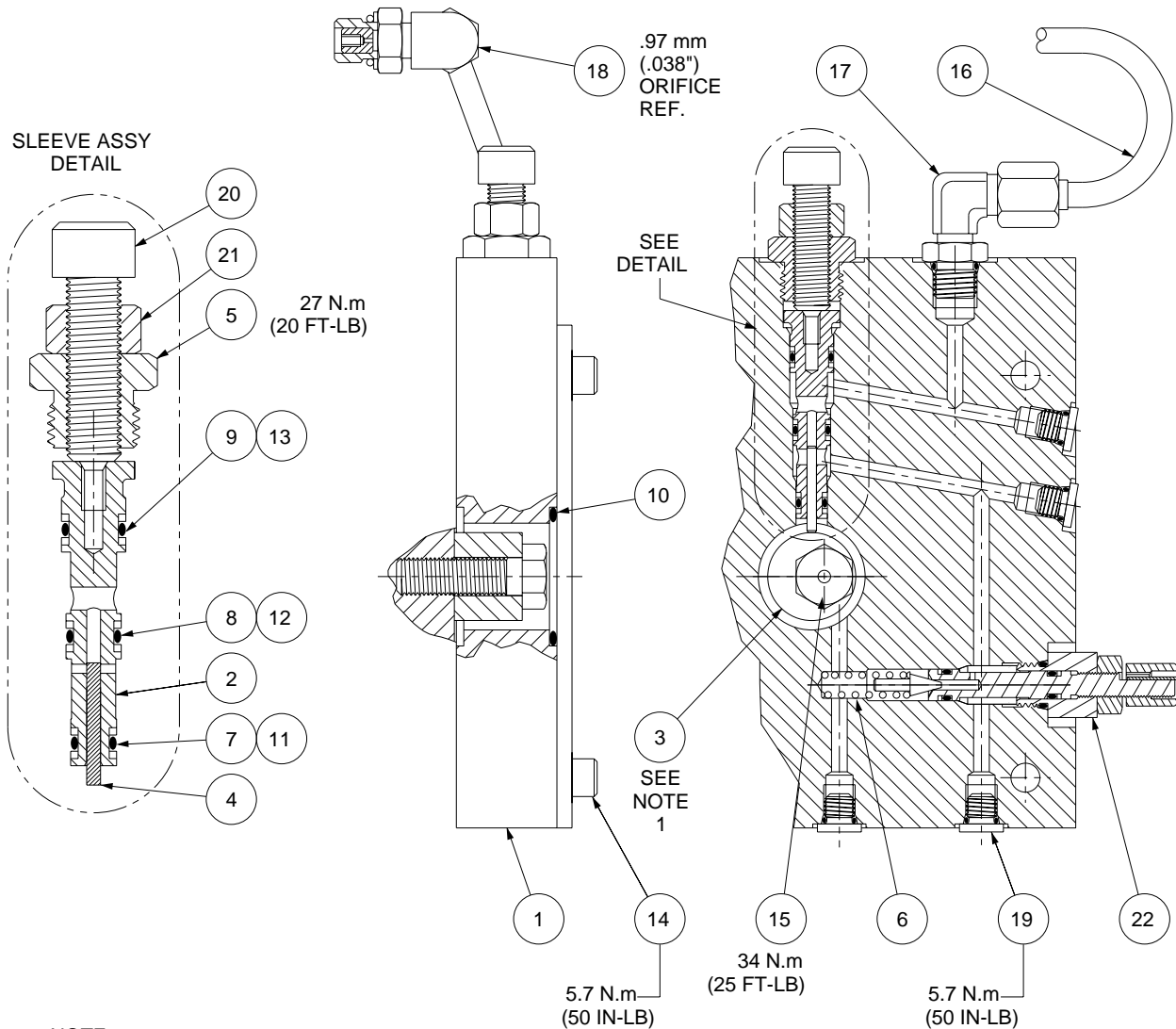


"M", "ME" & "A" REMOTE COMPENSATORS



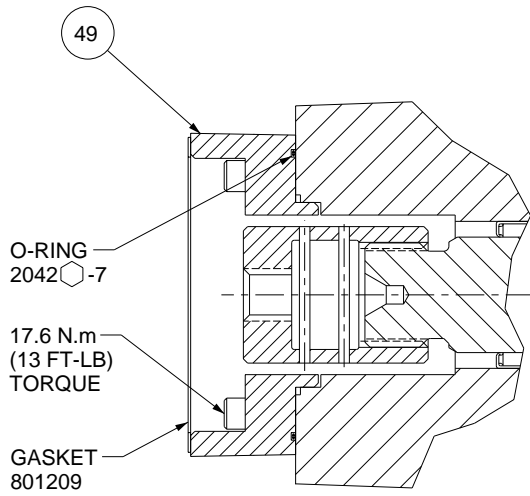
P/N: 788494- COMPLETE HI-LO ASSEMBLY - ITEM 58

ITEM	PART NUMBER	QTY	DESCRIPTION	ITEM	PART NUMBER	QTY	DESCRIPTION
1	788493	1	HI-LO BODY	12	107X10	2	BACK-UP RING
2	788713	1	HI-LO SLEEVE	13	107X11	2	BACK-UP RING
3	788836	1	HP CONTROL CAM	14	10X227	4	1/4-20X1.5 CAP SCREW
4	787975	1	HI-LO SPOOL	15	788837	1	BOLT - SPECIAL
5	787977	1	HI-LOW SLEEVE RET.	16	788524	1	TUBING ASSEMBLY
6	785170	1	SPRING	17	4C50X-S	1	90-ELBOW FITTING
7	2008	1	O-RING	18	787523	1	ORIFICE FITTING
8	2010	1	O-RING	19	108X2	4	-2 PLUG W/3902-9
9	2011	1	O-RING	20	10X89	1	3/8-24X1.25 CAP SCREW
10	2123	1	O-RING	21	16X42	1	JAM NUT
11	107X8	2	BACK-UP RING	22	788947	1	PRESS.ADJUST.KIT



NOTE:

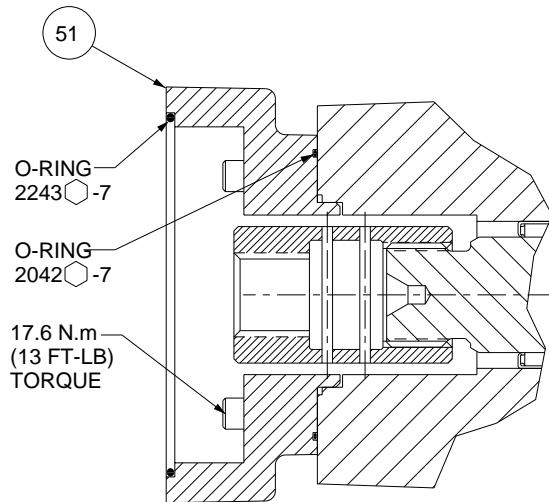
1. WITH THE PUMP AT FULL STROKE, INSTALL THE CAM (ITEM 3) CONCENTRIC WITH THE HOLE IN THE HI-LO BODY.
2. RIGHT HAND ROTATION (CW) SHOWN, MIRROR IMAGE FOR CCW ROTATION.



THRU SHAFT VARIATIONS
 "6A4", "9A4"

REAR PUMP CONFIGURATION:

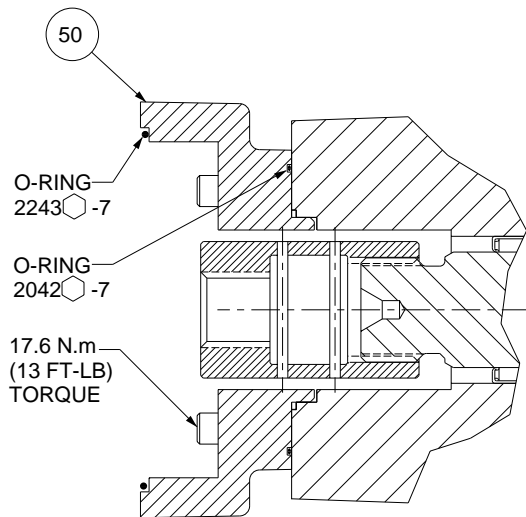
- SAE A 2 BOLT
- 3.25 PILOT DIAMETER
- 9 TOOTH 16/32 PITCH



THRU SHAFT VARIATIONS
 "6B4", "9B4"

REAR PUMP CONFIGURATION:

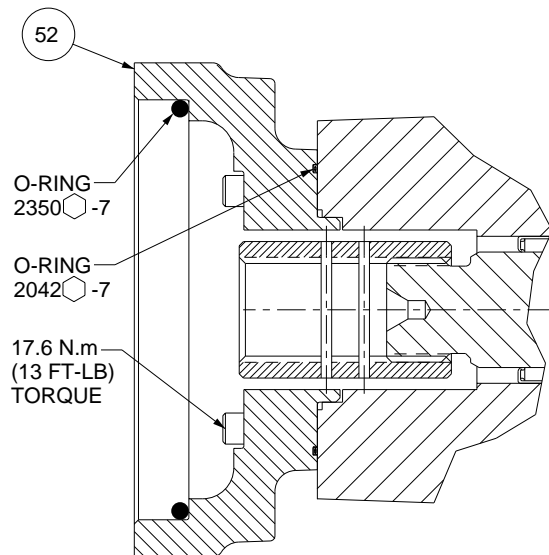
- SAE B 2 BOLT
- 4.00 PILOT DIAMETER
- 15 TOOTH 16/32 PITCH



THRU SHAFT VARIATIONS
 "6B3", "9B3"

REAR PUMP CONFIGURATION:

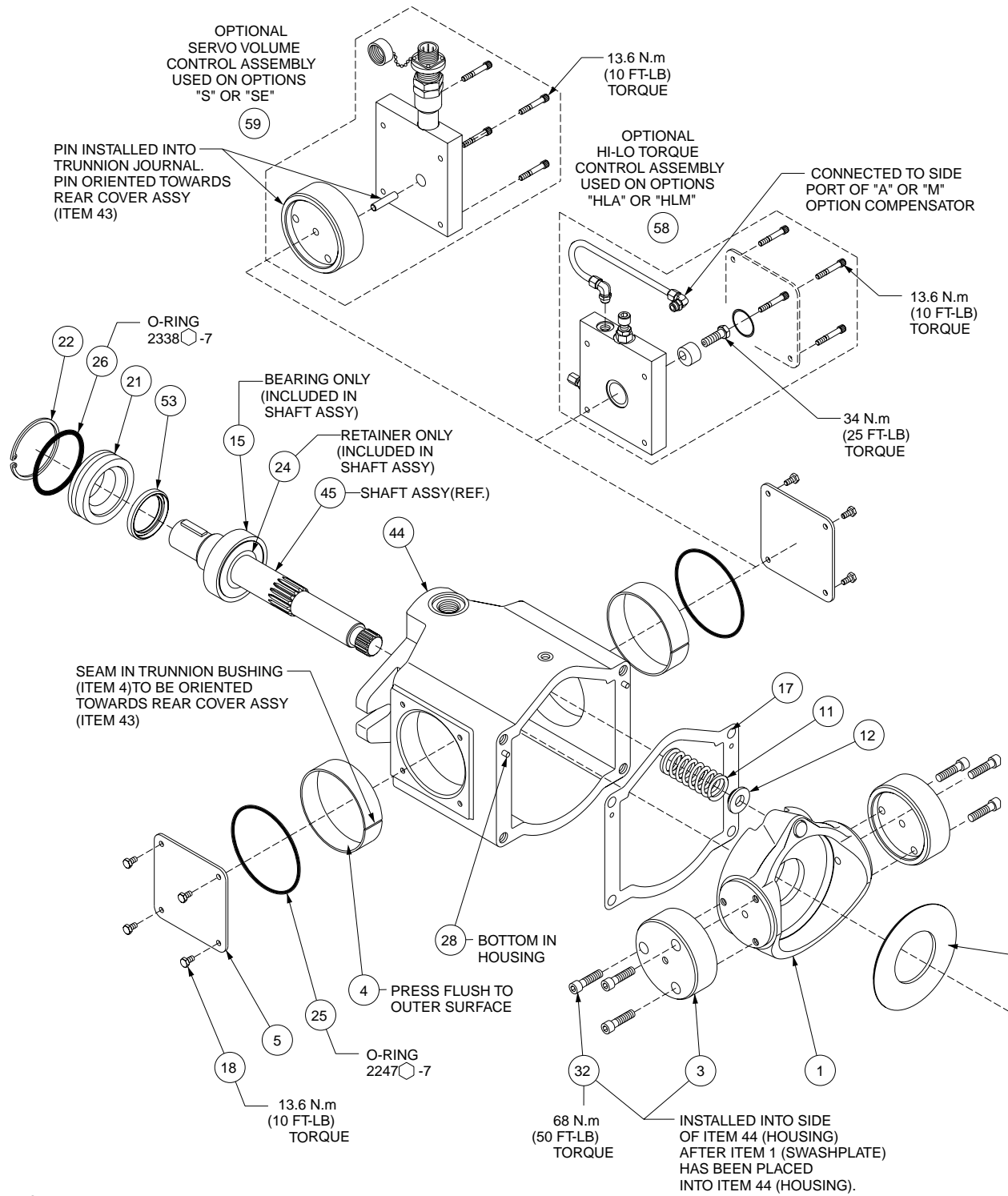
- SAE B 2 BOLT
- 4.00 PILOT DIAMETER
- 13 TOOTH 16/32 PITCH



THRU SHAFT VARIATIONS
 "6C3", "9C3"

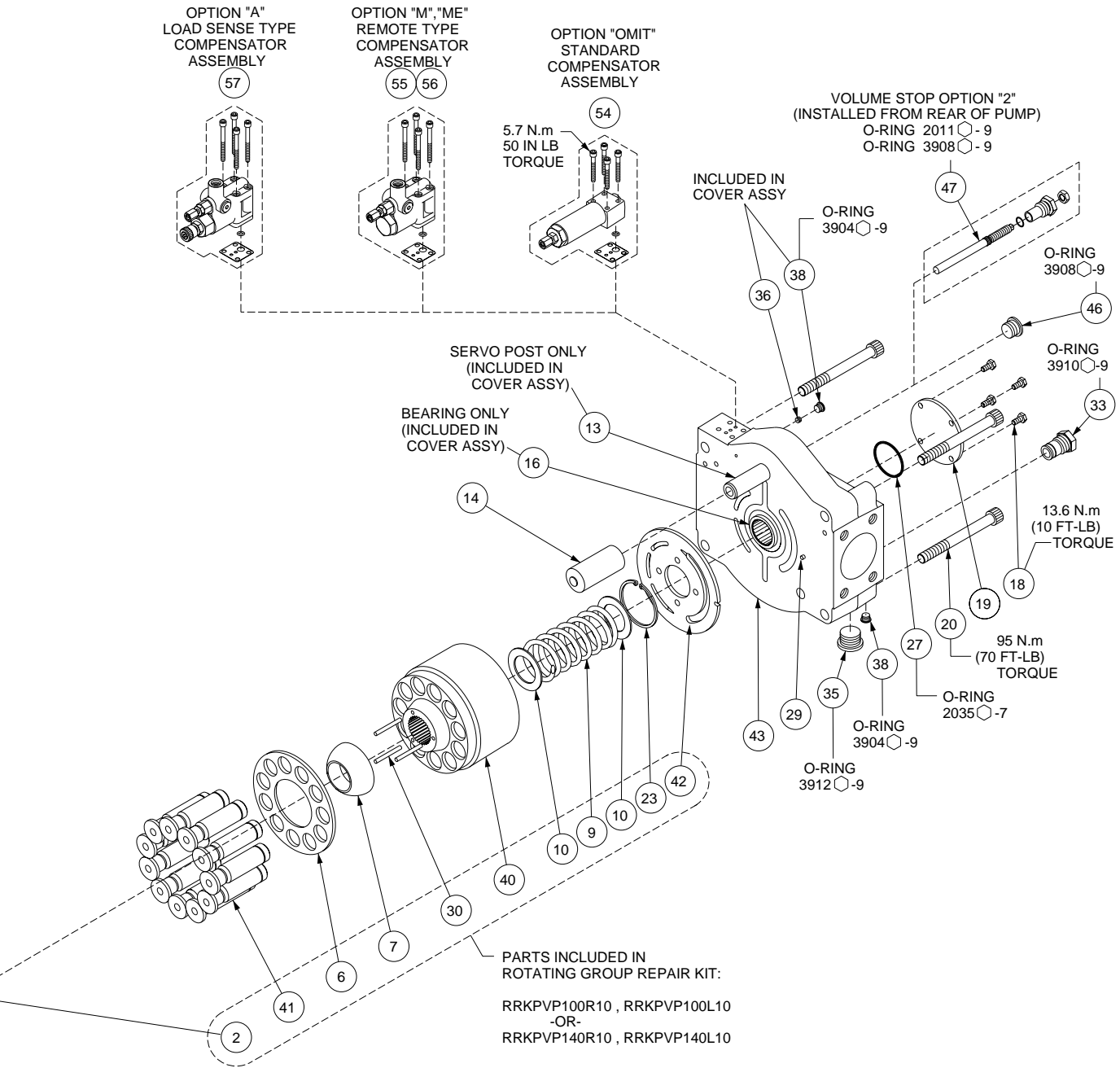
REAR PUMP CONFIGURATION:

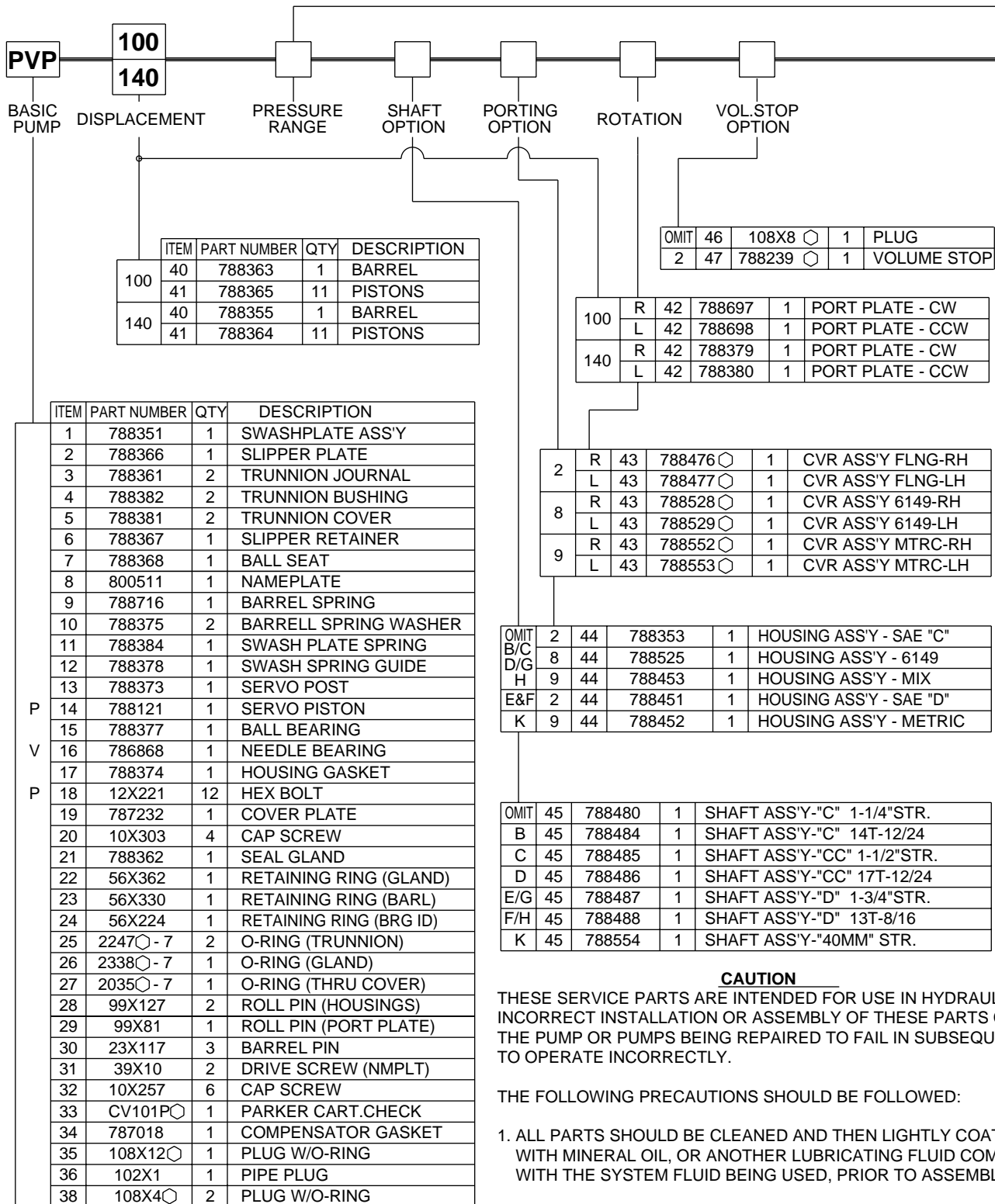
- SAE C 2 BOLT
- 5.00 PILOT DIAMETER
- 14 TOOTH 12/24 PITCH



NOTE:

- ILLUSTRATION SHOWS RIGHTHAND(CW) ROTATION PUMP.LEFTHAND(CCW) PUMPS WILL HAVE THE COMPENSATOR ON OPPOSITE SIDE,AND PORT PLATE KIDNEYS REVERSED. OPTIONAL HI-LO ASSEMBLY WILL BE ON OPPOSITE SIDE.
- SEAL KIT(SKPVP100/140-10)CONSISTS OF:ALL O-RINGS,GASKETS,AND SHAFT SEAL.



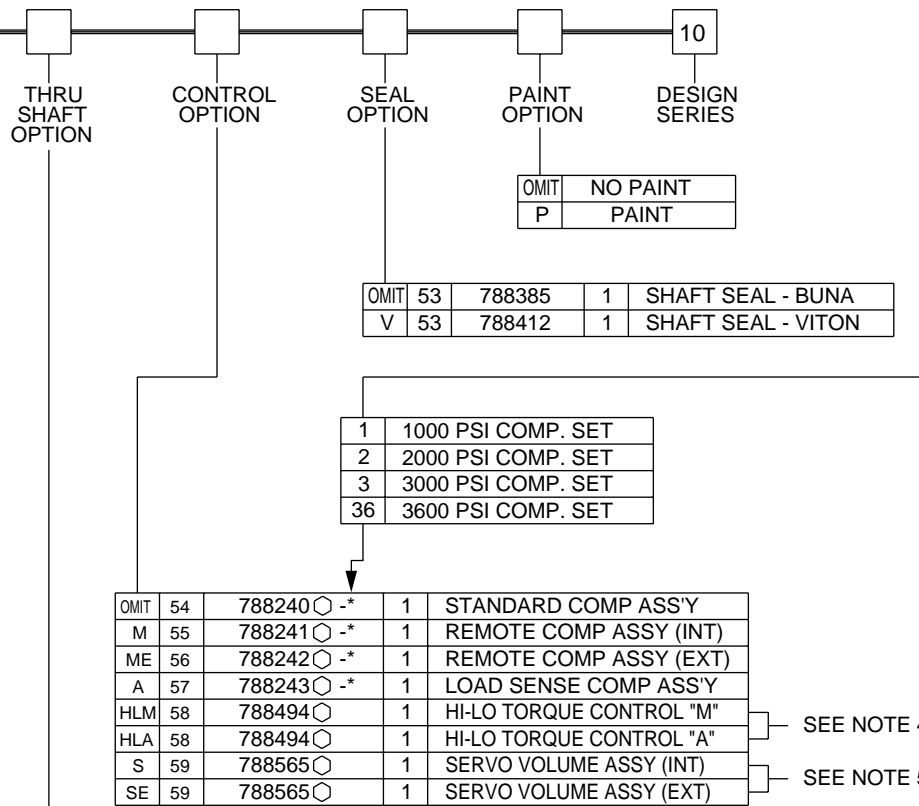


CAUTION

THESE SERVICE PARTS ARE INTENDED FOR USE IN HYDRAULIC PUMPS. INCORRECT INSTALLATION OR ASSEMBLY OF THESE PARTS COULD CAUSE THE PUMP OR PUMPS BEING REPAIRED TO FAIL IN SUBSEQUENT USE, OR TO OPERATE INCORRECTLY.

THE FOLLOWING PRECAUTIONS SHOULD BE FOLLOWED:

1. ALL PARTS SHOULD BE CLEANED AND THEN LIGHTLY COATED WITH MINERAL OIL, OR ANOTHER LUBRICATING FLUID COMPATIBLE WITH THE SYSTEM FLUID BEING USED, PRIOR TO ASSEMBLY.
2. THE PUMP SHOULD BE DISASSEMBLED, REPAIRED AND REASSEMBLED IN A CLEAN ENVIRONMENT.
3. USE PROPER TOOLS TO DISASSEMBLE AND REASSEMBLE THE PUMP.
4. IF YOU ARE UNCERTAIN HOW TO INSTALL THESE PARTS, YOU SHOULD OBTAIN ASSISTANCE EITHER FROM A PARKER-HANNIFIN DISTRIBUTOR OR FROM THE HYDRAULIC PUMP/MOTOR DIVISION.



	ITEM	PART NUMBER	QTY	DESCRIPTION
OMIT				NO THRU SHAFT
6	A4	49 788435	1	"A" PILOT,9T SPLINE
	B3	50 788436	1	"B" PILOT,13T SPLINE
	B4	51 788437	1	"B" PILOT,15T SPLINE
	C3	52 788438	1	"C" PILOT,14T SPLINE
9	A4	49 788439	1	"A" PILOT,9T SPLINE
	B3	50 788440	1	"B" PILOT,13T SPLINE
	B4	51 788441	1	"B" PILOT,15T SPLINE
	C3	52 788442	1	"C" PILOT,14T SPLINE

NOTE:
 WHEN ORDERING CONTROLS FOR METRIC
 VERSION PUMPS(OPTIONS 8 & 9)
 ADDITIONAL METRIC SCREWS ARE REQUIRED.

CONTROL	PART NUMBER	QTY	DESCRIPTION
OMIT	210X105	4	CAPSCREW-M5X35MM
ALL OTHER	210X108	4	CAPSCREW-M5X50MM

NOTE:
 WHEN ORDERING CONTROLS M,ME,A,C,H FOR
 METRIC VERSION PUMPS(OPTIONS 8 & 9)AN
 ADDITIONAL ADAPTOR FITTING IS REQUIRED.

PORTING	PART NUMBER	QTY	DESCRIPTION
8	788517	1	FITTING(ISO6149)
9	788157	1	FITTING(1/4BSPP)

NOTES:

- O-RING COMPOUND DESIGNATION- (OMIT)=NITRILE, = VITON
- SEAL KIT P/N SKPVP100/140 ** (**-DESIGN SERIES)
- ROTATING GROUP KIT RRPV ** (**-DESIGN SERIES)
 - R (CW) -OR- L (CCW)
 - 100 (100 CC/REV) -OR- 140 (140 CC/REV)
- FOR PROPER OPERATION OF THE HI-LO TORQUE CONTROL (OPTIONS HLM & HLA), IT MUST BE USED WITH THE CORRESPONDING DOMPENSATOR: "M" CONTROL FOR "HLM" AND "A" CONTROL FOR "HLA".
- FOR PROPER OPERATION OF THE SERVO VOLUME CONTROL (OPTIONS S & SE), IT MUST BE USED WITH THE CORRESPONDING COMPENSATOR: "M" CONTROL FOR "S" AND "ME" CONTROL FOR "SE" "S" AND "SE" OPTIONS ONLY AVAILABLE ON PVP140.

SERVICE NOTES:

- USE A CLEAN LUBRICANT(COMPATIBLE WITH THE WORKING FLUID)ON ALL PUMP COMPONENTS DURING ASSEMBLY.
- THOROUGHLY CLEAN THE RESERVOIR,SUCTION LINES,SUCTION STRAINER, DRAIN LINES,ETC.BEFORE RE-INSTALLING THE PUMP.
MOST PREMATURE PUMP FAILURES OCCUR WHEN CONTAMINANTS FROM A PREVIOUS FAILURE HAVE NOT BEEN REMOVED FROM THE SYSTEM,OR CAUSE FOR PREVIOUS FAILURE IS STILL PRESENT(I.E.WATER IN OIL,FILTER BYPASSING,ETC.)
- ALWAYS FILL THE PUMP CASE WITH CLEAN FLUID BEFORE STARTING A NEW OR SERVICED PUMP.FOR FLOODED SUCTION,PURGE AIR FROM SUCTION LINES BY CRACKING THE INLET FITTING OR VENT PLUG ON PUMP.THIS SHOULD PREVENT AN AIRLOCK CONDITION AND ALLOW FOR FASTER PRIMING.
- STARTING THE PUMP SLOWLY BY JOGGING(OR TURNING OVER ENGINE WITHOUT ALLOWING IT TO START)WILL HELP THE PUMP PRIME AND MAKE IT EASIER TO DETERMINE WHEN PRIMING HAS OCCURED.
- START PUMP WITH AN OPEN CIRCUIT WHENEVER POSSIBLE.REDUCE THE COMPENSATOR TO ITS MINIMUM SETTING DURING START-UP.CYCLE THE PUMP ON AND OFF STROKE WHILE INCREASING THE COMPENSATOR TO ITS REQUIRED SETTING.
THIS WILL ASSIST IN BREAK-IN OF NEW COMPONENTS AND HELP PURGE AIR FROM THE CASE.

BASIC TROUBLESHOOTING:**PUMP WILL NOT PRIME**

- △ PUMP SHOULD PRIME WITHIN 30 SECONDS.IF IT DOES NOT, STOP
- △ CHECK FOR PROPER DRIVE ROTATION
- △ MAKE SURE PUMP SHAFT IS TURNING(I.E. KEY AT COUPLING HUBS IS ENGAGED)
- △ MAKE SURE RESERVOIR IS FULL
- △ CHECK FOR MAJOR SOURCES OF A SUCTION LEAK(VENT PLUG OPEN,SHAFT SEAL MISSING(PAVC),FLANGE NOT TIGHT,PINCHED O-RING AT FLANGE OR PUMP HOUSING)

CANNOT BUILD ANY PRESSURE

- △ MAKE SURE PUMP IS PRIMED
- △ CHECK ALIGNMENT,ESPECIALLY ON PAVC PUMPS WITHOUT"9"OPTION
- △ MAKE SURE SYSTEM IS NOT AN OPEN CIRCUIT.
A PUMP PRODUCES FLOW,NOT PRESSURE.IT CAN ONLY LIMIT PRESSURE WHEN THE SYSTEM REQUIREMENT IS HIGHER THAN THE PUMP COMPENSATOR SETTING.

CAN ONLY BUILD A FEW HUNDRED PSI

- △ COMPENSATOR IS BACKED ALL THE WAY OUT
- △ THE REMOTE OR LOAD SENSE LINE IS VENTED
- △ CONTROL ORIFICE OR SPOOL IS PLUGGED
- △ INCORRECT COMPENSATOR SPOOL(PVP).
- △ PRESSURE CONTROL DART IS LODGED OPEN
- △ TORQUE CONTROL PLUG IS MISSING(PAVC)

PUMP WILL NOT COMPENSATE

- △ DIFFERENTIAL SPRING OVER-COMPRESSED(I.E. SPRING GUIDE DISLOCATED)
- △ CONTROL DRAIN LINE BLOCKED(PAVC)
- △ PRESSURE CONTROL STEM VENT HOLE IS PLUGGED
- △ CONTROL SPOOL TRAVEL IS HINDERED
- △ CONTROL ORIFICE IS MISSING(PAVC)
- △ SATURATION ORIFICE IS MISSING IN LOAD SENSE CIRCUIT

Offer of Sale

The items described in this document and other documents or descriptions provided by Parker Hannifin Corporation, its subsidiaries and its authorized distributors are hereby offered for sale at prices to be established by Parker Hannifin Corporation, its subsidiaries and its authorized distributors. This offer and its acceptance by any customer ("Buyer") shall be governed by all of the following Terms and Conditions. Buyer's order for any such items, when communicated to Parker Hannifin Corporation, its subsidiary or an authorized distributor ("Seller") verbally or in writing, shall constitute

1. Terms and Conditions of Sale: All descriptions, quotations, proposals, offers, acknowledgments, acceptances and sales of Seller's products are subject to and shall be governed exclusively by the terms and conditions stated herein. Buyer's acceptance of any offer to sell is limited to these terms and conditions. Any terms or conditions in addition to, or inconsistent with those stated herein, proposed by Buyer in any acceptance of an offer by Seller, are hereby objected to. No such additional, different or inconsistent terms and conditions shall become part of the contract between Buyer and Seller unless expressly accepted in writing by Seller. Seller's acceptance of any offer to purchase by Buyer is expressly conditional upon Buyer's assent to all the terms and conditions stated herein, including any terms in addition to, or inconsistent with those contained in Buyer's offer. Acceptance of Seller's products shall in all events constitute such assent.

2. Payment: Payment shall be made by Buyer net 30 days from the date of delivery of the items purchased hereunder. Amounts not timely paid shall bear interest at the maximum rate permitted by law for each month or portion thereof that the Buyer is late in making payment. Any claims by Buyer for omissions or shortages in a shipment shall be waived unless Seller receives notice thereof within 30 days after Buyer's receipt of the shipment.

3. Delivery: Unless otherwise provided on the face hereof, delivery shall be made F.O.B. Seller's plant. Regardless of the method of delivery, however, risk of loss shall pass to Buyer upon Seller's delivery to a carrier. Any delivery dates shown are approximate only and Seller shall have no liability for any delays in delivery.

4. Warranty: Seller warrants that the items sold hereunder shall be free from defects in material or workmanship for a period of 18 months from date of shipment from Parker Hannifin Corporation. **THIS WARRANTY COMPRISES THE SOLE AND ENTIRE WARRANTY PERTAINING TO ITEMS PROVIDED HEREUNDER. SELLER MAKES NO OTHER WARRANTY, GUARANTEE, OR REPRESENTATION OF ANY KIND WHATSOEVER. ALL OTHER WARRANTIES, INCLUDING BUT NOT LIMITED TO, MERCHANTABILITY AND FITNESS FOR PURPOSE, WHETHER EXPRESS, IMPLIED, OR ARISING BY OPERATION OF LAW, TRADE USAGE, OR COURSE OF DEALING ARE HEREBY DISCLAIMED. NOTWITHSTANDING THE FOREGOING, THERE ARE NO WARRANTIES WHATSOEVER ON ITEMS BUILT OR ACQUIRED WHOLLY OR PARTIALLY, TO BUYER'S DESIGNS OR SPECIFICATIONS.**

5. Limitation Of Remedy: SELLER'S LIABILITY ARISING FROM OR IN ANY WAY CONNECTED WITH THE ITEMS SOLD OR THIS CONTRACT SHALL BE LIMITED EXCLUSIVELY TO REPAIR OR REPLACEMENT OF THE ITEMS SOLD OR REFUND OF THE PURCHASE PRICE PAID BY BUYER, AT SELLER'S SOLE OPTION. IN NO EVENT SHALL SELLER BE LIABLE FOR ANY INCIDENTAL, CONSEQUENTIAL OR SPECIAL DAMAGES OF ANY KIND OR NATURE WHATSOEVER, INCLUDING BUT NOT LIMITED TO LOST PROFITS ARISING FROM OR IN ANY WAY CONNECTED WITH THIS AGREEMENT OR ITEMS SOLD HEREUNDER, WHETHER ALLEGED TO ARISE FROM BREACH OF CONTRACT, EXPRESS OR IMPLIED WARRANTY, OR IN TORT, INCLUDING WITHOUT LIMITATION, NEGLIGENCE, FAILURE TO WARN OR STRICT LIABILITY.

6. Changes, Reschedules and Cancellations: Buyer may request to modify the designs or specifications for the items sold hereunder as well as the quantities and delivery dates thereof, or may request to cancel all or part of this order, however, no such requested modification or cancellation shall become part of the contract between Buyer and Seller unless accepted by Seller in a written amendment to this Agreement. Acceptance of any such requested modification or cancellation shall be at Seller's discretion, and shall be upon such terms and conditions as Seller may require.

7. Special Tooling: A tooling charge may be imposed for any special tooling, including without limitation, dies, fixtures, molds and patterns, acquired to manufacture items sold pursuant to this contract. Such special tooling shall be and remain Seller's property notwithstanding payment of any charges by Buyer. In no event will Buyer acquire any interest in apparatus belonging to Seller which is utilized in the manufacture of the items sold hereunder, even if such apparatus has been specially converted or adapted for such manufacture and notwith-

standing any charges paid by Buyer. Unless otherwise agreed, Seller shall have the right to alter, discard or otherwise dispose of any special tooling or other property in its sole discretion at any time.

8. Buyer's Property: Any designs, tools, patterns, materials, drawings, confidential information or equipment furnished by Buyer or any other items which become Buyer's property, may be considered obsolete and may be destroyed by Seller after two (2) consecutive years have elapsed without Buyer placing an order for the items which are manufactured using such property, Seller shall not be responsible for any loss or damage to such property while it is in Seller's possession or control.

9. Taxes: Unless otherwise indicated on the face hereof, all prices and charges are exclusive of excise, sales, use, property, occupational or like taxes which may be imposed by any taxing authority upon the manufacture, sale or delivery of the items sold hereunder. If any such taxes must be paid by Seller or if Seller is liable for the collection of such tax, the amount thereof shall be in addition to the amounts for the items sold. Buyer agrees to pay all such taxes or to reimburse Seller therefore upon receipt of its invoice. If Buyer claims exemption from any sales, use or other tax imposed by any taxing authority, Buyer shall save Seller harmless from and against any such tax, together with any interest or penalties thereon which may be assessed if the items are held to be taxable.

10. Indemnity For Infringement of Intellectual Property Rights: Seller shall have no liability for infringement of any patents, trademarks, copyrights, trade dress, trade secrets or similar rights except as provided in this Part 10. Seller will defend and indemnify Buyer against allegations of infringement of U.S. Patents, U.S. Trademarks, copyrights, trade dress and trade secrets (hereinafter 'Intellectual Property Rights'). Seller will defend at its expense and will pay the cost of any settlement or damages awarded in an action brought against Buyer based on an allegation that an item sold pursuant to this contract infringes the Intellectual Property Rights of a third party. Seller's obligation to defend and indemnify Buyer is contingent on Buyer notifying Seller within ten (10) days after Buyer becomes aware of such allegations of infringement, and Seller having sole control over the defense of any allegations or actions including all negotiations for settlement or compromise. If an item sold hereunder is subject to a claim that it infringes the Intellectual Property Rights of a third party, Seller may, at its sole expense and option, procure for Buyer the right to continue using said item, replace or modify said item so as to make it noninfringing, or offer to accept return of said item and return the purchase price less a reasonable allowance for depreciation. Notwithstanding the foregoing, Seller shall have no liability for claims of infringement based on information provided by Buyer, or directed to items delivered hereunder for which the designs are specified in whole or part by Buyer, or infringements resulting from the modification, combination or use in a system of any item sold hereunder. The foregoing provisions of this Part 10 shall constitute Seller's sole and exclusive liability and Buyer's sole and exclusive remedy for infringement of Intellectual Property Rights.

If a claim is based on information provided by Buyer or if the design for an item delivered hereunder is specified in whole or in part by Buyer, Buyer shall defend and indemnify Seller for all costs, expenses or judgments resulting from any claim that such item infringes any patent, trademark, copyright, trade dress, trade secret or any similar right.

11. Force Majeure: Seller does not assume the risk of and shall not be liable for delay or failure to perform any of Seller's obligations by reason of circumstances beyond the reasonable control of Seller (hereinafter 'Events of Force Majeure'). Events of Force Majeure shall include without limitation, accidents, acts of God, strikes or labor disputes, acts, laws, rules or regulations of any government or government agency, fires, floods, delays or failures in delivery of carriers or suppliers, shortages of materials and any other cause beyond Seller's control.

12. Entire Agreement/Governing Law: The terms and conditions set forth herein, together with any amendments, modifications and any different terms or conditions expressly accepted by Seller in writing, shall constitute the entire Agreement concerning the items sold, and there are no oral or other representations or agreements which pertain thereto. This Agreement shall be governed in all respects by the law of the State



Parker Hannifin Corporation

2745 Snapps Ferry Road
Greeneville, TN 37745 USA

Tel: (423) 639-8151

FAX: (423) 787-2418

Web site: <http://www.parker.com>