

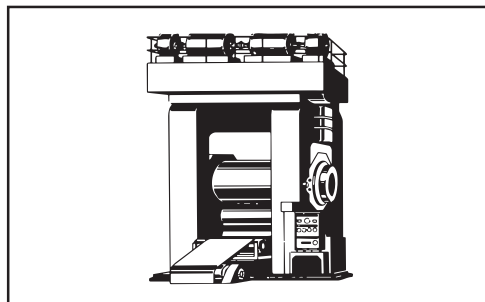
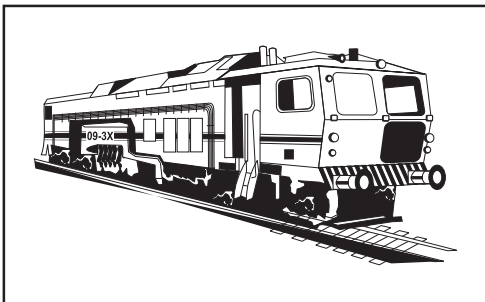
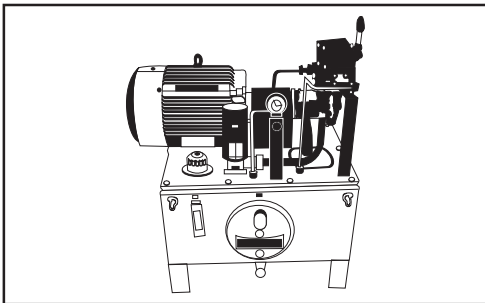
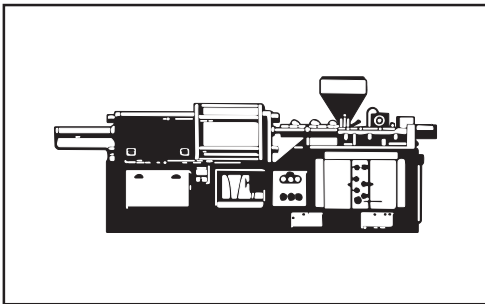


VELJAN

Service Information

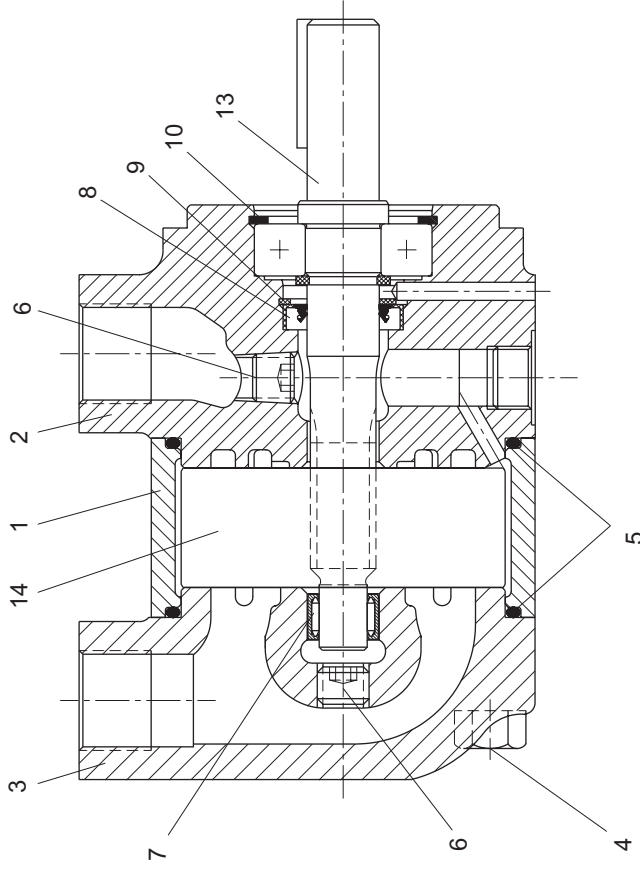
SS4 - 00113

VM3B - VM3B1 **Single vane motor**



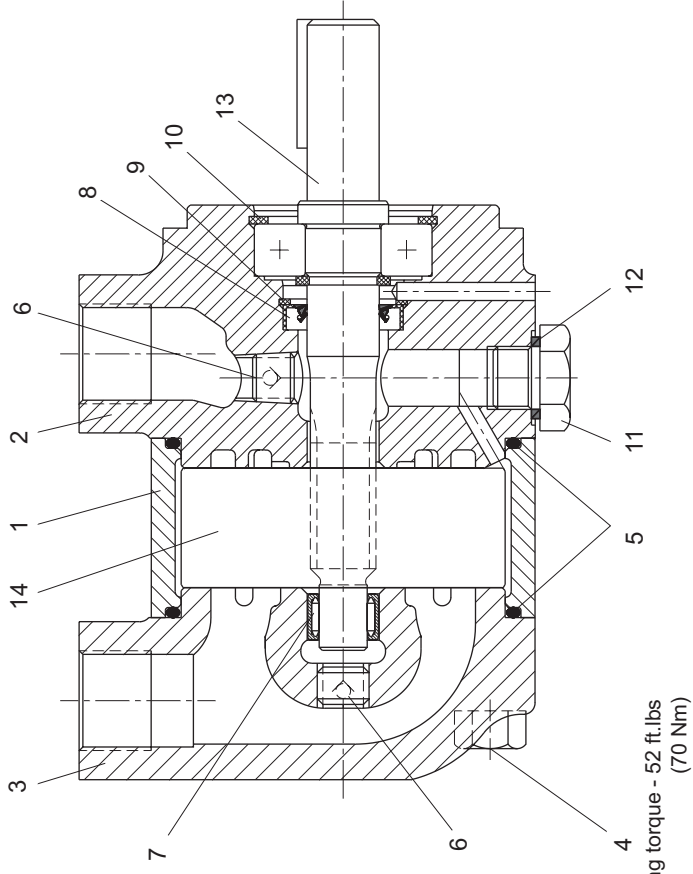
Bold printed are recommended repair kits and assemblies

M3B

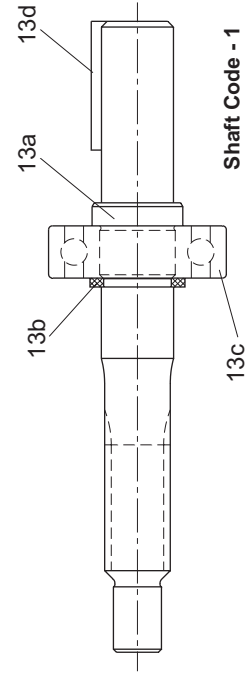
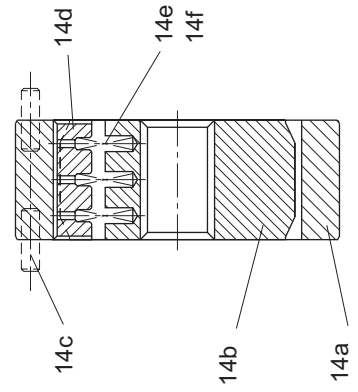


Mounting torque - 52 ft.lbs
(70 Nm)

M3B1



Mounting torque - 52 ft.lbs
(70 Nm)



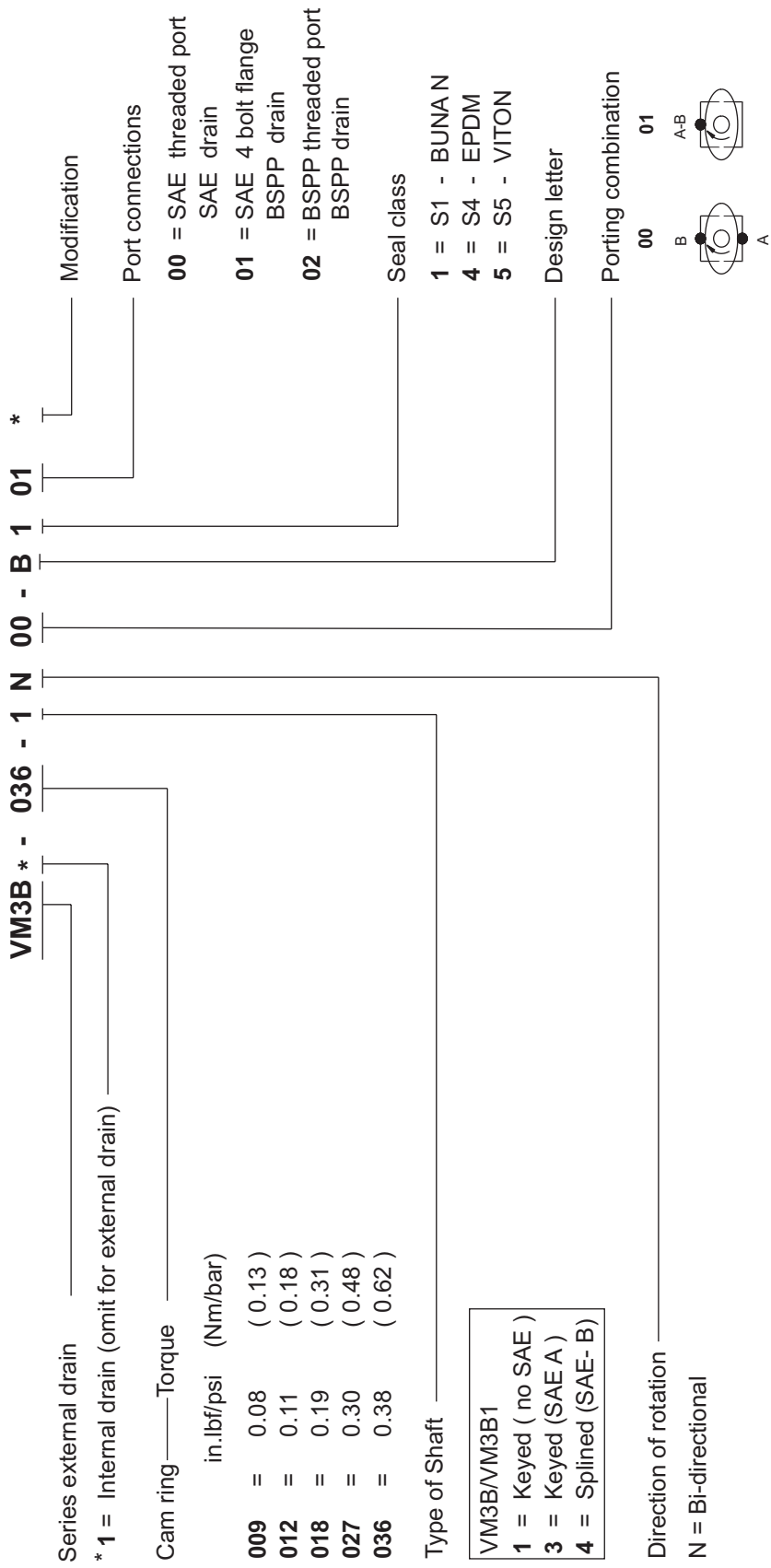
Shaft Code - 1

Shaft Code - 3

Shaft Code - 4

Item pos.	Description	Part No.		Qty
		VM3B	VM3B1	
1	Housing	V034-71337	V034-71337	1
2	Mounting flange (port 3/4" BSP)	V034-66241	V034-66241	1
	Mounting flange (SAE)	V034-66246	V034-66246	
	Mounting flange (SAE thd. port)	V034-66755	V034-66755	
3	End cap (port 3/4" BSP)	V034-66242	V034-66242	1
	End cap (flange SAE)	V034-66247	V034-66247	
	End cap (SAE thd. port)	V034-66756	V034-66756	
4	Mounting Screw	V306-40168	V306-40168	4
5	'O' ring	V671-00238	V671-00238	2
6	Plug	V431-90400		2
	Check valve		VS14-01257	2
7	Needle bearing	V230-82036	V230-82036	1
8	Shaft seal (S1-1.5 bar)	V622-10004	V622-10004	1
	Shaft seal (S4-S5-7 bar)	V622-00011-3	V622-00011-3	
9	Retaining ring	V356-30125	V356-30125	1
10	Retaining ring	V356-30185	V356-30185	1
11	Plug		V446-01006-2	1
12	Seal		V635-01006-2	1
13	Shaft and bearing ass'y (# 1)	VS14-67454	VS14-67454	1
	Shaft and bearing ass'y (# 3)	VS14-42506	VS14-42506	
	Shaft and bearing ass'y (# 4)	VS14-97223	VS14-97223	
13a	Shaft (Keyed) (Code-1)	V034-66243	V034-66243	1
	Shaft (Splined) (Code-3)	V034-71341	V034-71341	
	Shaft (splined) (Code-4)	V034-66408	V034-66408	
13b	Retaining ring	V356-65060	V356-65060	1
13c	Ball bearing	V230-82149	V230-82149	1
13d	Key (Code -1)	V034-49622	V034-49622	1
14	Cartridge assembly 009	VS24-40628	VS24-40628	1
	Cartridge assembly 012	VS14-42504	VS14-42504	
	Cartridge assembly 018	VS14-42503	VS14-42503	
	Cartridge assembly 027	VS14-42502	VS14-42502	
	Cartridge assembly 036	VS14-42501	VS14-42501	
14a	Cam ring - 009	V034-66751	V034-66751	1
	Cam ring - 012	V034-71346	V034-71346	
	Cam ring - 018	V034-71345	V034-71345	
	Cam ring - 027	V034-71344	V034-71344	
	Cam ring - 036	V034-71343	V034-71343	
14b	Rotor	V034-44872	V034-44872	1
14c	Dowel pin	V324-21210	V324-21210	2
14d	Vane	V034-71347	V034-71347	10
14e	Vane spring	V034-44874	V034-44874	30
14f	Spring guide	V034-44875	V034-44875	30
5,8	Seal kit (S1-1.5 bar)	VS14-42508	VS14-42508	1
	Seal kit (S4-7 bar)	VS14-42508-4	VS14-42508-4	
	Seal kit (S5-7 bar)	VS14-42508-5	VS14-42508-5	

MODEL CODE



To change porting position, follow the steps below:

Secure the motor and remove 4 bolts from End cap. Remove the End cap and rotate it to 180° and assemble to get required port position. Reinstall the bolts and tighten to corresponding mounting torque as provided on page 2.

Print	VHPL/13/12/1k
Replace	
Revision	
Printed in India	