

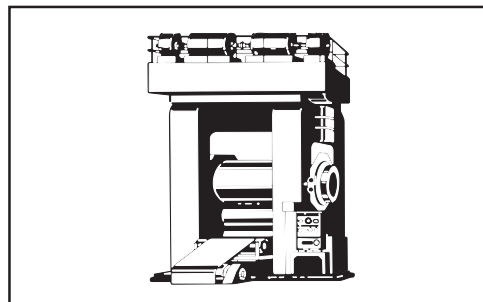
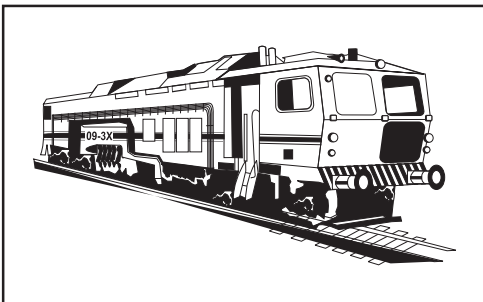
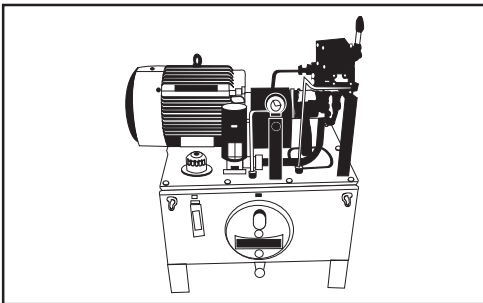
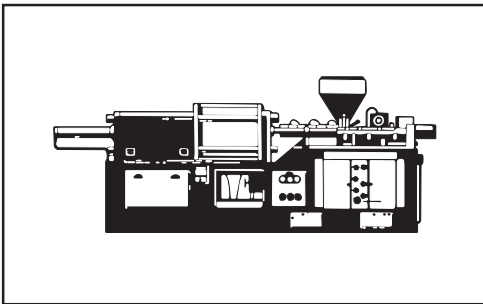


VELJAN

Service Information

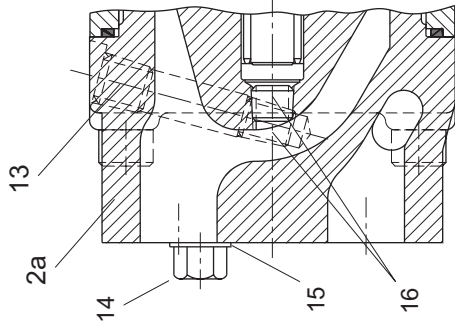
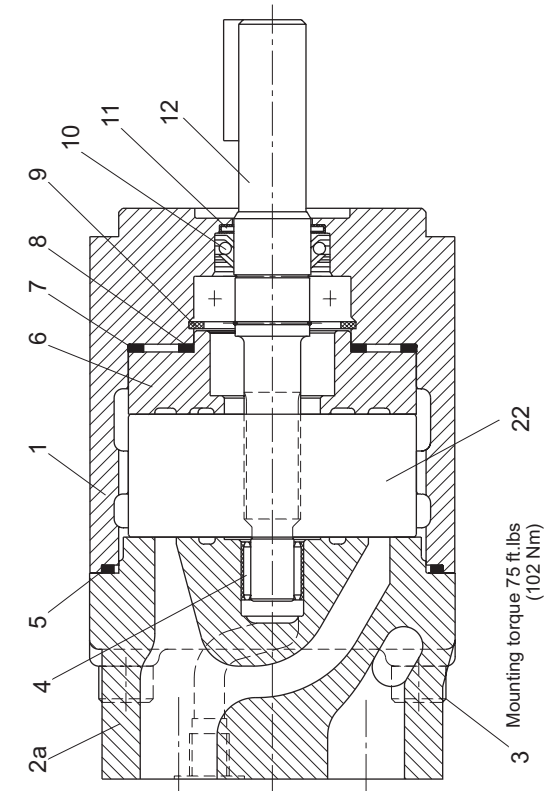
SS4 - 00114

VM4C - VM4C1
VM4SC - VM4SC1
Single vane motor

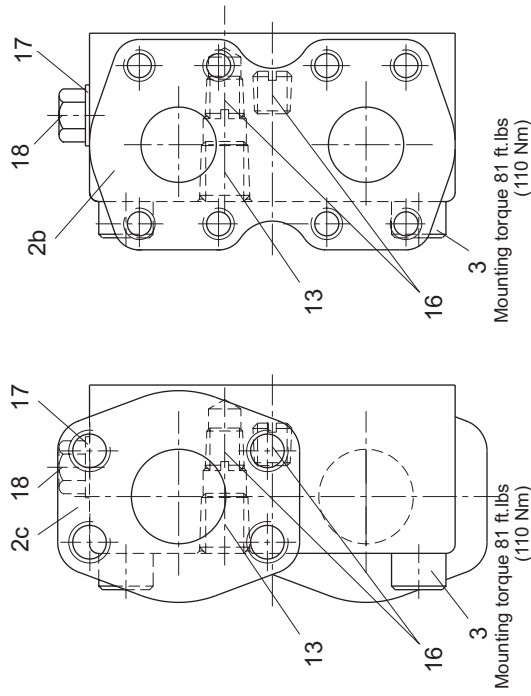


Bold printed are recommended repair kits and assemblies

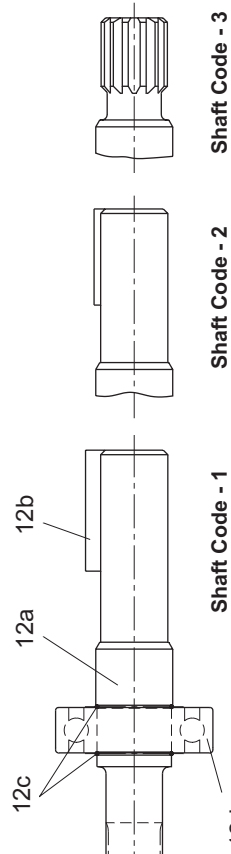
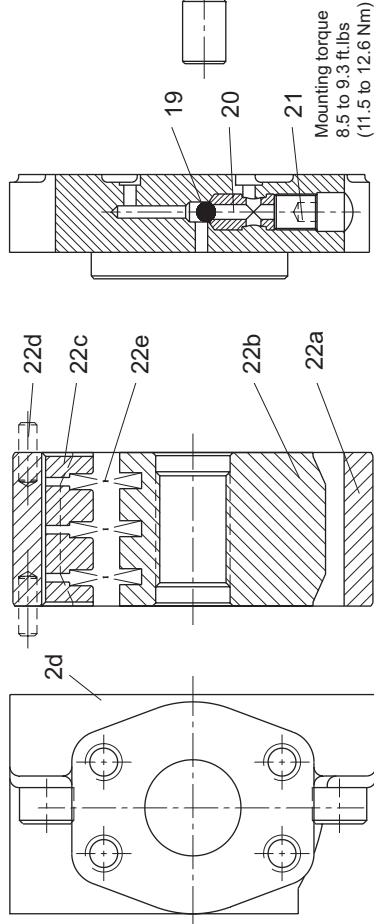
REAR PORTED



OPPOSITE PORTED (offset) SIDE PORTED



OPPOSITE PORTED (inline)



Item pos.	Description	Part No.		
		VM4C	VM4SC	Qty
2b	End cap side ported (SAE 4 bolt conn., SAE drain)	VM4C1	VM4C1Q	1
	End cap side ported (SAE 4 bolt conn., BSP drain)	VM4SC	VM4SC1	
	End cap side ported (SAE str. thd. conn., SAE drain)	VM4CQ	VM4C1Q	
2c	End cap opp. ported (off set) (SAE 4 bolt conn., SAE drain)	VM4C	VM4C1Q	1
	End cap rear ported (SAE 4 bolt conn., SAE drain)	VM4SC	VM4SC1	
	End cap rear ported (SAE 4 bolt conn., BSP drain)	VM4CQ	VM4C1Q	
2a	Housing (Standard SAE-B 2 bolt mounting)	VM4C	VM4C1	1
	Housing (SAE-C 4 bolt mounting, code-Q)	VM4SC	VM4SC1	
	End cap rear ported (SAE 4 bolt conn., SAE drain)	VM4CQ	VM4C1Q	
2c	End cap rear ported (SAE 4 bolt conn., SAE drain)	VM4C	VM4C1	1
	End cap rear ported (SAE 4 bolt conn., BSP drain)	VM4SC	VM4SC1	
	End cap rear ported (SAE str. thd. conn., SAE drain)	VM4CQ	VM4C1Q	

2d	End cap opp. ported (in line) (SAE 4 bolt conn., SAE drain)	C-034-03043	1
3	Screw (rear ported & opp. ported in line)	V358-20240	4
	Screw (side ported & opp. ported offset)	V358-20330	
4	Needle bearing	V230-82008	1
5	Sq. section seal (Standard)	V691-10242	1
	Sq. section seal (Severe duty)	V695-10242	
6	Port plate - pressure	V034-53342	1
7	Sq. section seal (Standard)	V691-10238	1
	Sq. section seal (Severe duty)	V695-10238	
8	Sq. section seal (Standard)	V691-10226	1
	Sq. section seal (Severe duty)	V695-10226	
9	Retaining ring	V356-30206	1
10	Shaft seal	V637-00004	1
11	Felt wiper	V034-49975	1
12	Shaft and bearing assy (# 1)	VS14-27026	1
	Shaft and bearing assy (# 2)	VS14-41575	
	Shaft and bearing assy (# 3)	VS14-44482	
12a	Shaft (keyed) (code 1)	V034-71074	1
	Shaft (keyed) (code 2)	V034-71144	
	Shaft (splined) (code 3)	V034-71809	
12b	Key (code 1)	V034-48690	1
	Key (code 2)	V034-49622	
12c	Round section ring	V034-70777	2
12d	Ball bearing	V230-03205	1
13	Plug	V431-90600	1
14	Plug	V446-01004-2	1
15	Copper seal	V612-00001-3	1
16	Check valve	VS14-01257	2
17	Copper seal	V635-01006-2	1
18	Plug	V446-01006-2	1
19	Ball	V201-06001	1
20	Adaptor valve	V034-53346	1
21	Screw	V312-35056	1
22	Cartridge Kit 024 (Standard)	VS14-45081	1
	Cartridge Kit 024 (Severe duty)	VS14-45082	
	Cartridge Kit 031 (Standard)	VS14-27027	
	Cartridge Kit 031 (Severe duty)	VS14-27031	
	Cartridge Kit 043 (Standard)	VS14-27028	
	Cartridge Kit 043 (Severe duty)	VS14-27032	
	Cartridge Kit 055 (Standard)	VS14-27029	
	Cartridge Kit 055 (Severe duty)	VS14-27033	

	Cartridge Kit 067 (Standard)	VS14-27030	VS14-27030	VS14-27030
	Cartridge Kit 067 (Severe duty)	VS14-27034	VS14-27034	VS14-27034
	Cartridge Kit 075 (Standard)	VS14-41505	VS14-41505	VS14-41505
	Cartridge Kit 075 (Severe duty)	VS24-10890	VS24-10890	VS24-10890
22a	Cam ring 024 (Standard)	V034-71871	V034-71871	1
	Cam ring 024 (Severe duty)	V034-71884	V034-71884	
	Cam ring 031 (Standard)	V034-48641	V034-48641	
	Cam ring 031 (Severe duty)	V034-49857	V034-49857	
	Cam ring 043 (Standard)	V034-48642	V034-48642	
	Cam ring 043 (Severe duty)	V034-49856	V034-49856	
	Cam ring 055 (Standard)	V034-48643	V034-48643	
	Cam ring 055 (Severe duty)	V034-49855	V034-49855	
	Cam ring 067 (Standard)	V034-46809	V034-46809	
	Cam ring 067 (Severe duty)	V034-49854	V034-49854	
	Cam ring 075 (Standard)	V034-71126	V034-71126	
	Cam ring 075 (Severe duty)	V034-59834	V034-59834	
22b	Rotor	V034-49976	V034-49976	1
22c	Vane	V034-49977	V034-49977	10
22d	Dowel pin	V324-21210	V324-21210	2
22e	Vane spring	V034-49978	V034-49978	30
5,7	Seal kit (Standard) S-1	S14-29879	S14-29879	1
8,10	Seal kit (Severe duty) S-5	S14-29879-5	S14-29879-5	
6,19	Port plate - pressure assembly	S14-29880	S14-29880	1
20,21				
2a,4	End cap assy rear ported (SAE 4 bolt conn., SAE drain)	S14-27035	S14-27035	1
	End cap assy rear ported (SAE 4 bolt conn., BSP drain)	S14-83314	S14-83886	
	End cap assy rear ported (SAE thd. conn., SAE drain)	S14-27036	S14-27038	
2b,4	End cap assy side ported (SAE 4 bolt conn., SAE drain)	S14-41576	S14-41578	1
	End cap assy side ported (SAE 4 bolt conn., BSP drain)	S14-83315	S14-93377	
	End cap assy side ported (SAE thd. conn., SAE drain)	S14-41577	S14-41579	
2c,4	End cap assy opp. ports offset (SAE 4 bolt conn., SAE drain)	S14-43439	S14-43439	1

