

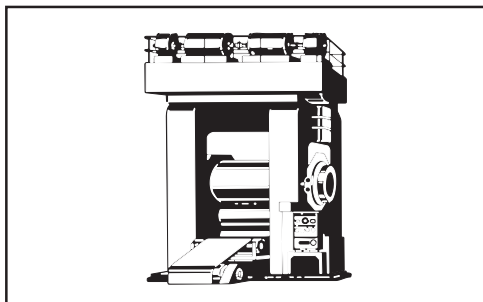
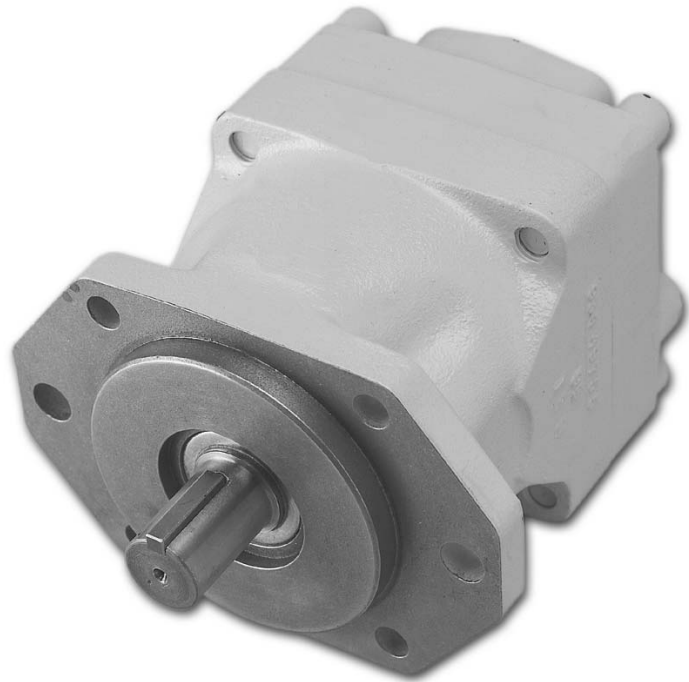
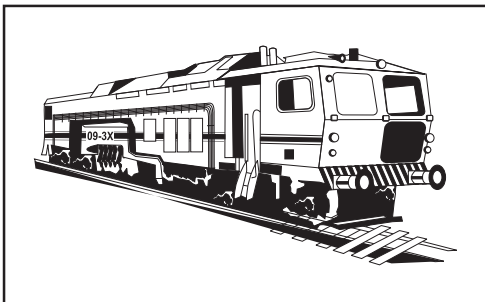
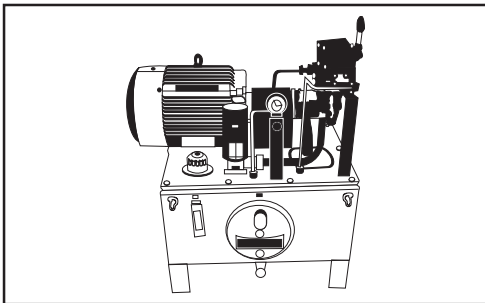
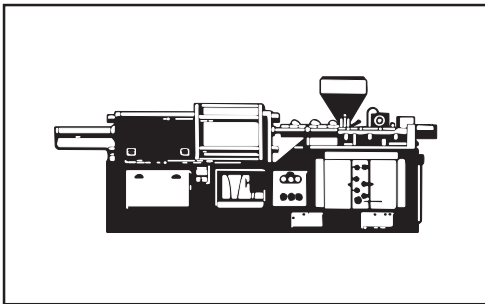


VELJAN

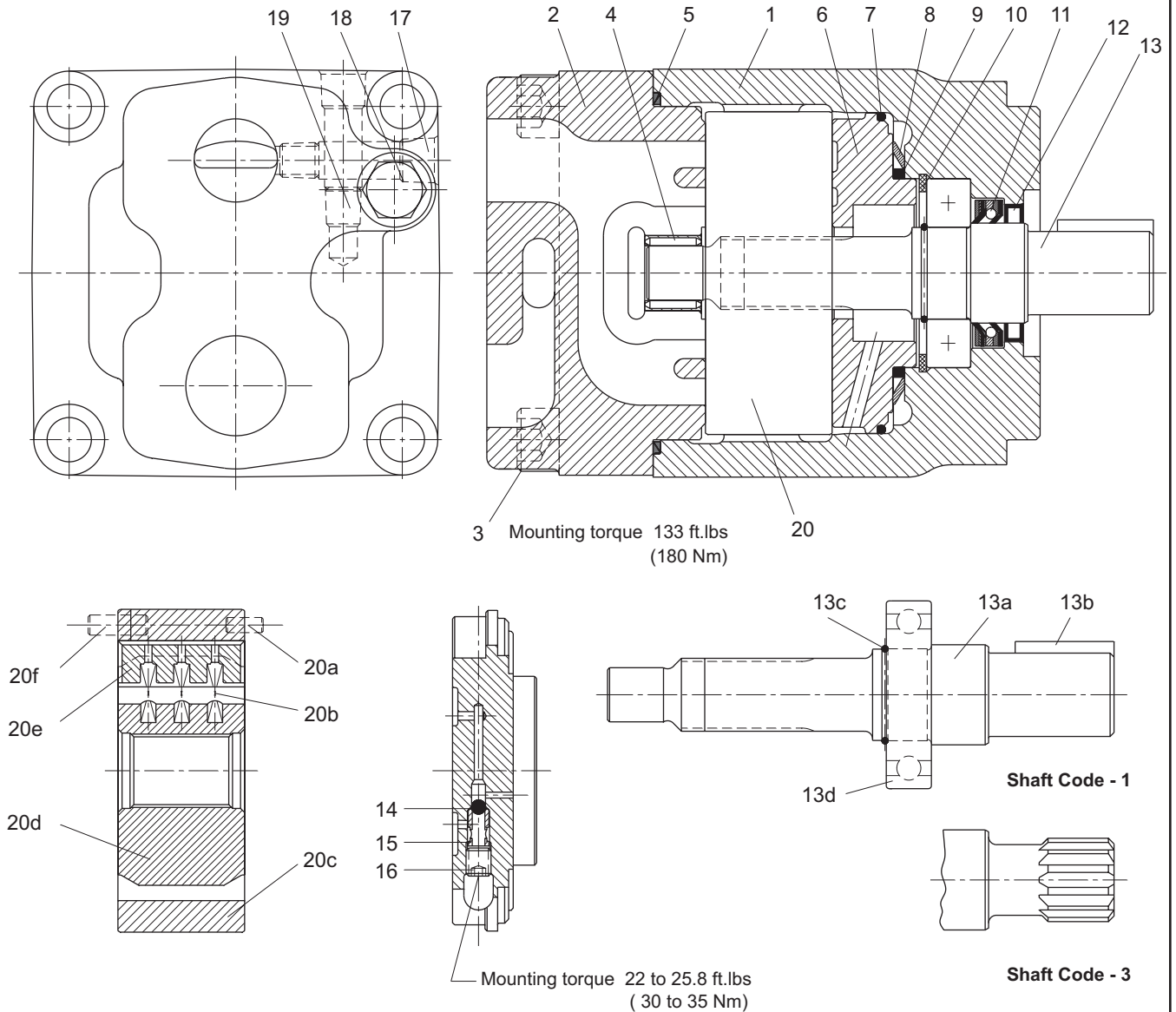
Service Information

SS4 - 00115

VM4D - VM4D1
VM4SD - VM4SD1
Single vane motor



Bold printed are recommended repair kits and assemblies



Item pos.	Description	Part No.				Qty
		VM4D	VM4D1	VM4SD	VM4SD1	
1	Housing (standard)	V034-49756	V034-49756	V034-49756	V034-49756	1
2	End cap rear ported (SAE) (01)	V034-59695	V034-59697	V034-59695	V034-59697	1
	End cap rear ported (SAE) (02)	V034-59694	V034-59696	V034-59694	V034-59696	
	End cap rear ported (standard) (BSP) (04)	V034-66470		V034-66470		
3	Screw	V358-24300	V358-24300	V358-24300	V358-24300	4
4	Needle bearing	V230-82002	V230-82002	V230-82002	V230-82002	1
5	Sq. section seal	V691-10250	V691-10250	V695-10250	V695-10250	1
6	Port plate - pressure	V034-59852	V034-59852	V034-59852	V034-59852	1
7	'O' ring	V691-00246	V691-00246	V695-00246	V695-00246	1
8	Belleville washer	V034-59843	V034-59843	V034-59843	V034-59843	1
9	Sq. section seal	V691-10335	V691-10335	V695-10335	V695-10335	1
10	Retaining ring	V356-32283	V356-32283	V356-32283	V356-32283	1
11	Shaft seal	V637-00003	V637-00003	V637-00003	V637-00003	1
12	Felt wiper	V605-10020	V605-10020	V605-10020	V605-10020	1
13	Shaft and bearing ass'y (# 1)	VS14-26720	VS14-26720	VS14-26720	VS14-26720	1
	Shaft and bearing ass'y (# 3)	VS14-26721	VS14-26721	VS14-26721	VS14-26721	

Item pos.	Description	Part No.				Qty
		VM4D	VM4D1	VM4SD	VM4SD1	
13a	Shaft (keyed) (code 1)	V034-70982	V034-70982	V034-70982	V034-70982	1
	Shaft (splined) (code 3)	V034-70983	V034-70983	V034-70983	V034-70983	
13b	Key	V034-49676	V034-49676	V034-49676	V034-49676	1
13c	Round section ring	V034-70853	V034-70853	V034-70853	V034-70853	1
13d	Ball bearing	V230-00207	V230-00207	V230-00207	V230-00207	1
14	Ball	V201-06001	V201-06001	V201-06001	V201-06001	1
15	Adaptor valve	V034-53346	V034-53346	V034-53346	V034-53346	1
16	Plug	V312-35056	V312-35056	V312-35056	V312-35056	1
17	Plug		V431-90600		V431-90600	2
18	Plug		V488-35022		V488-35022	1
19	Check valve		VS14-01257		VS14-01257	2
20	Cartridge Kit 062	VS24-10620	VS24-10620	VS24-10627	VS24-10627	1
	Cartridge Kit 074	VS24-10621	VS24-10621	VS24-10628	VS24-10628	1
	Cartridge Kit 088	VS24-10622	VS24-10622	VS24-10629	VS24-10629	1
	Cartridge Kit 102	VS24-10623	VS24-10623	VS24-10630	VS24-10630	1
	Cartridge Kit 113	VS24-10624	VS24-10624	VS24-10631	VS24-10631	1
	Cartridge Kit 128	VS24-10625	VS24-10625	VS24-10632	VS24-10632	1
	Cartridge Kit 138	VS24-10626	VS24-10626	VS24-10633	VS24-10633	1
20a	Dowel pin	V324-21612	V324-21612	V324-21612	V324-21612	1
20b	Vane spring	V034-49743	V034-49743	V034-49743	V034-49743	30
20c	Cam ring 062	V034-59680	V034-59680	V034-59687	V034-59687	1
	Cam ring 074	V034-59681	V034-59681	V034-59688	V034-59688	1
	Cam ring 088	V034-59682	V034-59682	V034-59689	V034-59689	1
	Cam ring 102	V034-59683	V034-59683	V034-59690	V034-59690	1
	Cam ring 113	V034-59684	V034-59684	V034-59691	V034-59691	1
	Cam ring 128	V034-59685	V034-59685	V034-59692	V034-59692	1
	Cam ring 138	V034-59686	V034-59686	V034-59693	V034-59693	1
20d	Rotor	V034-49747	V034-49747	V034-49747	V034-49747	1
20e	Vane	V034-49746	V034-49746	V034-49746	V034-49746	10
20f	Dowel pin	V324-22414	V324-22414	V324-22414	V324-22414	1
5,7 9,11	Seal kit	VS24-10916	VS24-10916	VS24-10916-5	VS24-10916-5	1
2,4	End cap and bearing assembly (04)	VS14-97570		VS14-97570		1
	End cap and bearing assembly (02)	VS24-10616	VS24-10619	VS24-10616	VS24-10619	1
	End cap and bearing assembly (01)	VS24-10617	VS24-10618	VS24-10617	VS24-10618	1
6,14 15,16	Port plate pressure assembly	VS24-10905	VS24-10905	VS24-10905	VS24-10905	1

MODEL CODE

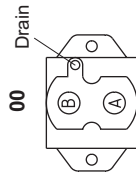
VM4 * D * - 043 - 1 N 00 - B 1 01 **

Series _____ Modification _____
 * S = Severe duty motor _____ Port connections _____
 * 1 = internal drain (omit for external drain) _____
 Cam ring _____ Torque _____
 in.lbf/psi (Nm/bar)
062 = 0.63 (1.0)
074 = 0.75 (1.2)
088 = 0.88 (1.4)
102 = 0.96 (1.6)
113 = 1.13 (1.8)
128 = 1.28 (2.1)
138 = 1.38 (2.2)
 Seal class _____
1 = S1 (VM4D/VM4D1)
5 = S5 (VM4SD/VM4SD1)

Type of Shaft _____ Design letter _____

- 1 = Keyed (no SAE)
- 3 = Keyed (SAE A)

Porting combination : (00 = Standard)



View from shaft end
 CW rotation **A** = inlet **B** = outlet
 CCW rotation **A** = outlet **B** = inlet

Print	VHL/15/12/Tk
Replace	
Revision	
Printed in India	

©All Rights Reserved
 Product details are liable to change without prior notice