

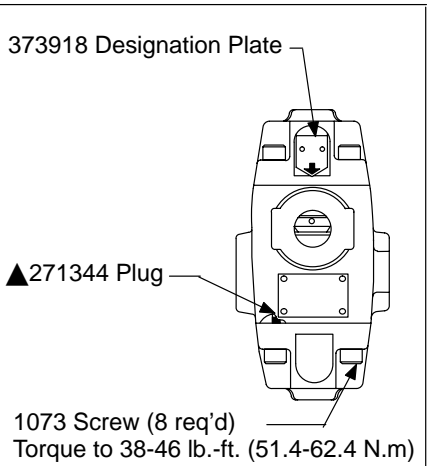
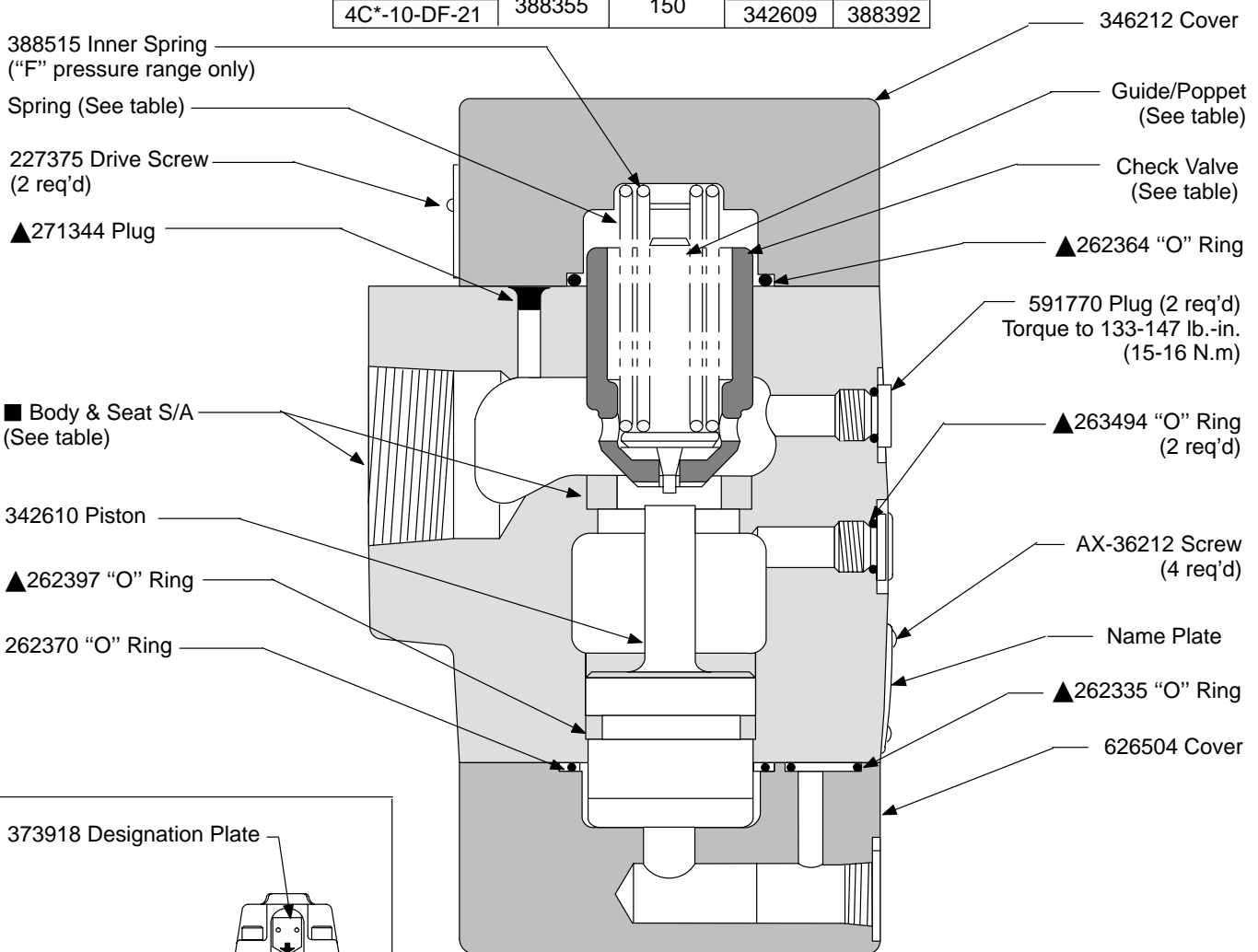
Check Valves



Pilot Operated Check Valve

4CT-10-(D)*-21

| Model | Spring | Pressure PSI | Check-Valve | Guide/Poppet |
|--------------|--------|--------------|-------------|--------------|
| 4C*-10-A-21 | 352444 | 30 | 359863 | 359862 |
| 4C*-10-DA-21 | | | 342609 | 357424 |
| 4C*-10-C-21 | 388354 | 75 | 359863 | 359862 |
| 4C*-10-DC-21 | | | 342609 | 357424 |
| 4C*-10-F-21 | 388355 | 150 | 359863 | 388391 |
| 4C*-10-DF-21 | | | 342609 | 388392 |

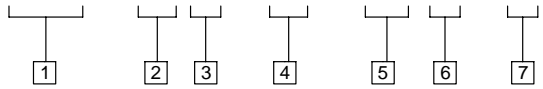


| Model | ■ Body S/A | Body | Seat |
|----------------|------------|--------|--------|
| 4CS-10-(D)*-21 | 626615 | 626616 | 342608 |
| 4CT-10-(D)*-21 | 626528 | 626529 | |

▲ Service all units with F3 Seal Kit 919677

Model Code

(F3) - 4C * - 10 - (D) * - 21



1 Seals

(F3) - Seals for mineral oil and fire resistant fluids

2 Model Series

4C - Pilot operated check valve

3 Connection

G - Subplate mounted
S - SAE straight thread connection
T - NPTF threaded connection

4 Series

100 - 100

5 Features

D - Decompression
(Omit for no decompression)

6 Pressure Range

A - 30 PSI
B - 50 PSI
C - 75 PSI
D - 150 PSI

7 Design

4CG-10-(D)*-21

▲ Service all units with F3 Seal Kit 919679

626530 Body & Seat S/A Includes:
342608 Seat
626531 Body

| Model | Spring | Pressure PSI | Check-Valve | Guide/Poppet |
|--------------|--------|--------------|-------------|--------------|
| 4CG-10-A-21 | 352444 | 30 | 359862 | 359863 |
| 4CG-10-DA-21 | | | 357424 | 342609 |
| 4CG-10-C-21 | 388354 | 75 | 359862 | 359863 |
| 4CG-10-DC-21 | | | 357424 | 342609 |
| 4CG-10-F-21 | 388355 | 150 | 388391 | 359863 |
| 4CG-10-DF-21 | | | 388392 | 342609 |

388515 Inner Spring ("F" pressure range only)

▲ 262402 "O" Ring

271344 Plug (2 req'd)

▲ 262399 "O" Ring (2 req'd)

160571 Rollpin

342610 Piston

1073 Screw (8 req'd)
Torque to 38-46 lb.-ft.
(51.5-62.3 N.m)

▲ 262353 "O" Ring

▲ 262335 "O" Ring

▲ 263496 "O" Ring

591772 Plug (2 req'd)
Torque to 18-20 lb.-ft.
(24.4-27 N.m)

342612 Cover

Spring (See table)

Guide/Poppet (See table)

Check Valve (See table)

Body & Seat S/A (See table)

591770 Plug (2 req'd)
Torque to 133-147 lb.-in.
(15-16 N.m)

▲ 263494 "O" Ring (2 req'd)

AX-36212 Screw (4 req'd)

Name Plate

▲ 262397 "O" Ring

▲ 262370 "O" Ring

626527 Cover

For satisfactory service life of these components, use full flow filtration to provide fluid which meets ISO cleanliness code 18/15 or cleaner. Selections from Eaton OFF, OFR and OFRS filter series are recommended.