

Vickers®


Directional Controls

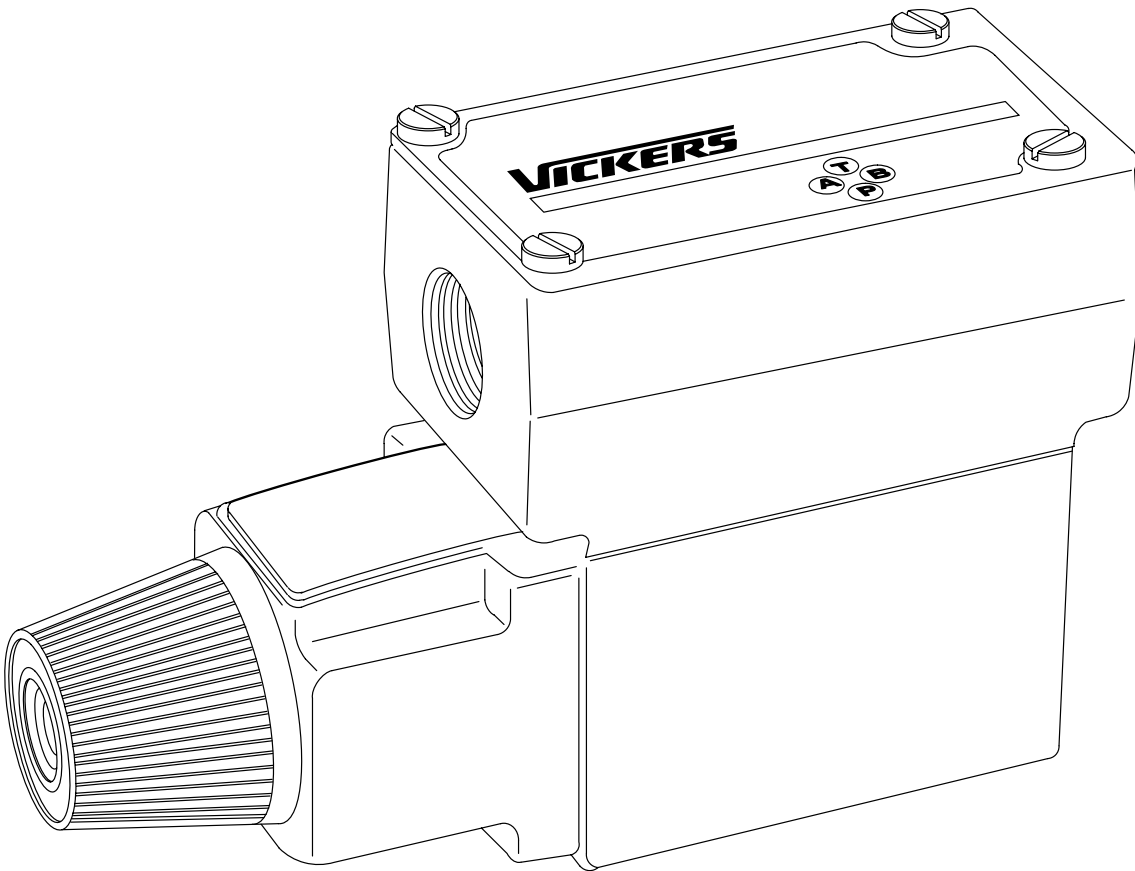



Service Parts Information

Solenoid Operated Directional Valve

DG4V-3-*F-M(P**)-**-*-40 Spring Offset

 www.khadamathydraulic.com
Tell: 021-55882749
Tell: 021-33488178
Fax: 021-33488105



 www.khadamathydraulic.com
Tell: 021-55882749
Tell: 021-33488178
Fax: 021-33488105

VICKERS

Revised 7/1/86

I-3864-S

DIN 43650 Coil S/A	Coil S/A	AC Volt Hz	DC Volt	Coil Code
635061	633741	110/50, 115/60, 120/60	—	B
683312	989721	110/50, 115/60, 120/60		*B-9
635062	633742	220/50, 230/60, 240/60		D
683218	989764	24/50, 24/60		N
683310	683053	100/50, 100/60		T
681611	681404	_____		32
681423	989654		12	G
681610	989656		24	H
682552	682550		48	J

*B-9 Reduced Power Consumption Coil

Spool Type	Spool	Spool Kit
0F	635338	926369
1/11F	683314	926446
2F	631611	926370
3/31F	989593	926371
6/68F	631603	926372
7F	989592	926373
33F	635339	926374

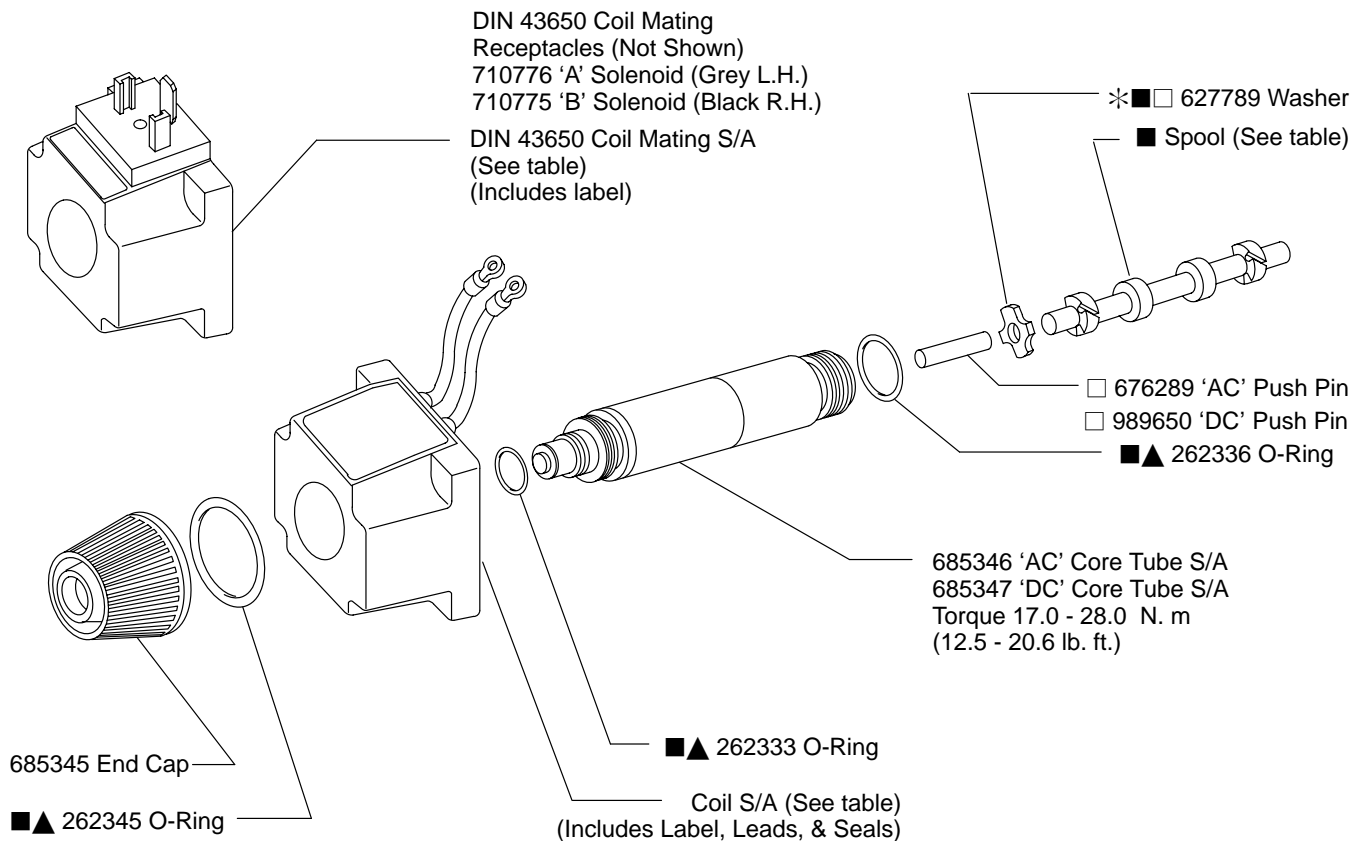
Spool kit also includes parts prefixed with ■ and ▲.

- Assemble Type 1 and 3 spools with narrow center land towards 'A' port. The types 11 and 31 spools are 1 and 3 spools reversed with narrow center land towards 'B' port.
- A spool designation of 68 indicates valve is used as a pilot for two stage valves with 4 or 8 type main stage spools. 68 is used with spring offset, shift to center units. Refer to dwgs. J-682451 & J-685777 for correct name plate label.

Refer to I-3866-S for electrical features and options

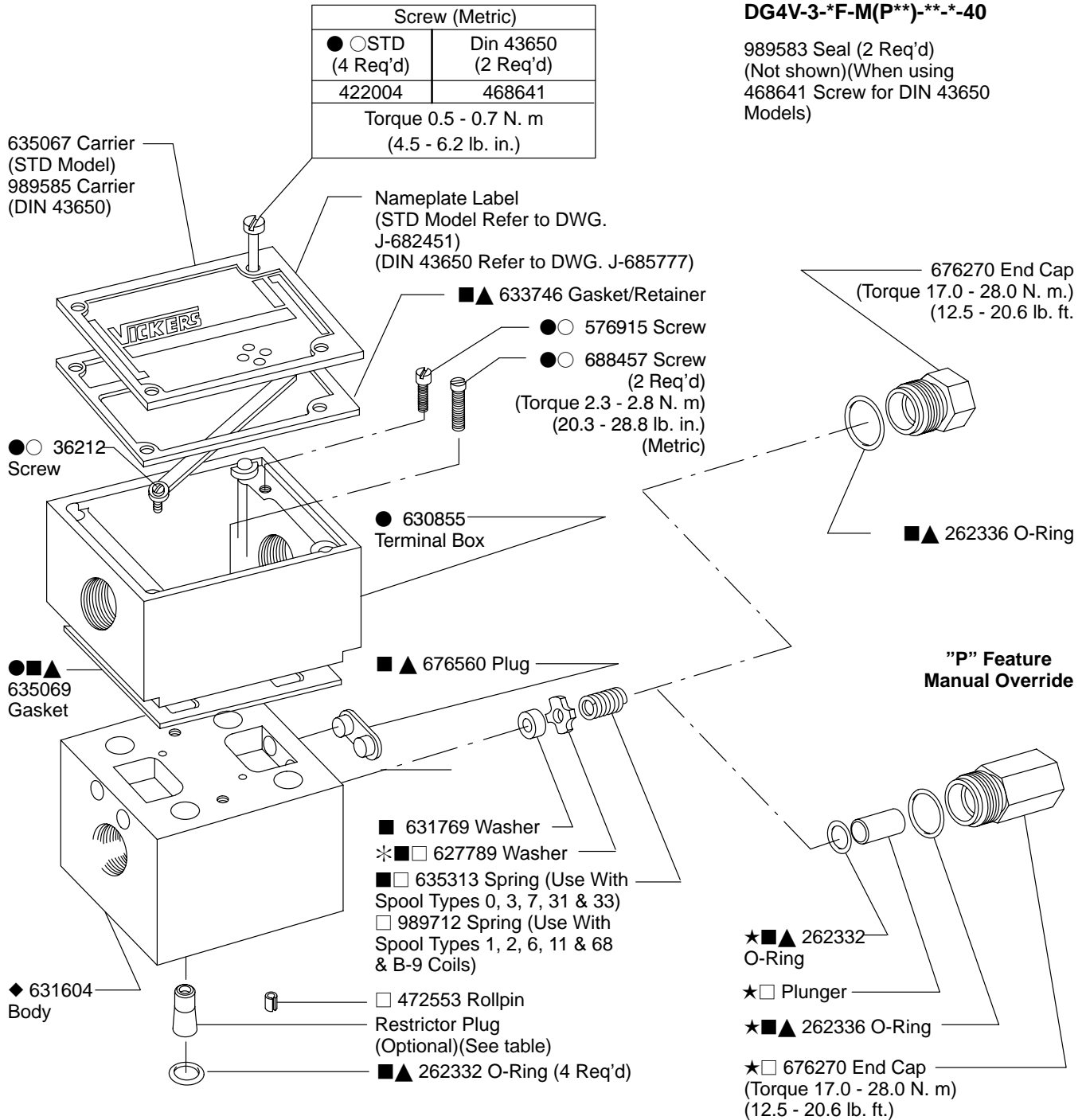
Parts prefixed with symbols available only in kits

*Assemble rounded face of washer to mate with spool



DG4V-3-*F-M(P)-**-*-40**

989583 Seal (2 Req'd)
(Not shown)(When using
468641 Screw for DIN 43650
Models)



Screw (Metric)	
● ○ STD (4 Req'd)	Din 43650 (2 Req'd)
422004	468641
Torque 0.5 - 0.7 N. m (4.5 - 6.2 lb. in.)	

Nameplate Label
(STD Model Refer to DWG.
J-682451)
(DIN 43650 Refer to DWG. J-685777)

676270 End Cap
(Torque 17.0 - 28.0 N. m.)
(12.5 - 20.6 lb. ft.)

● ○ 576915 Screw
● ○ 688457 Screw
(2 Req'd)
(Torque 2.3 - 2.8 N. m)
(20.3 - 28.8 lb. in.)
(Metric)

■ ▲ 262336 O-Ring

"P" Feature
Manual Override

★ ■ ▲ 262332 O-Ring
★ □ Plunger
★ ■ ▲ 262336 O-Ring
★ □ 676270 End Cap
(Torque 17.0 - 28.0 N. m)
(12.5 - 20.6 lb. ft.)

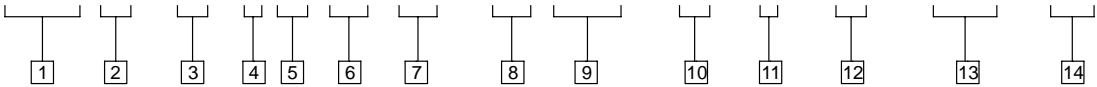
Restrictor Plug		
Part	Orifice Dia.	
	mm	inches
684300	0.3	.012
631892	0.8	.032
628733	1.0	.040
632937	1.3	.052
635281	1.5	.060
687072	2.0	.080
631931	2.3	.092
685482	3.2	.128
632936	Blank	
Use In Either A. B. P. or T Port		

- ▲ Included in Seal Kit 920304
- Included in Fastener Kit 926433
- ★ Included in Manual Override Kit 926463
- Available only in Kits of 25
- ◆ Not Available for Sale
- Omit When Using DIN 43650 Coils
- Included in Spool Kit (See table)

Right Hand Assembly shown, except
6F & 68F. For Left Hand Assembly, all
parts are reversed, except Body,
Spool, and Terminal Box.

Model Code

DG4 V - 3 - * F (P) (L) - M (P) - ** - * - (9) - (***) - 40**



1 Model Series

DG4 - Directional valve, subplate or manifold mounted, solenoid operated

2 Maximum Pressure Rating

350 bar (5000 PSI)

3 Interface

NFPA-D01/ISO-4401-3

4 Spool Type

5 Spring Offset

F - Spring Offset to 'A' Port
Shift to Center

6 Manual Override

(Omit When Not Required)

7 Left Hand

Omit When Not Required

8 Flag Symbol Heading Electrical Features and Options

9 Electrical Features

(Refer to Drawing I-3866-S)

10 Coil

U - DIN 43650 Coil
W - Wiring Housing 1/2 NPT thd.
WL - Wiring Housing 1/2 NPT thd.
(with indicator light)

11 Coil Code Letter

(See table for Voltage and Frequency)

12 Low Wattage Coil

(B Coil only)

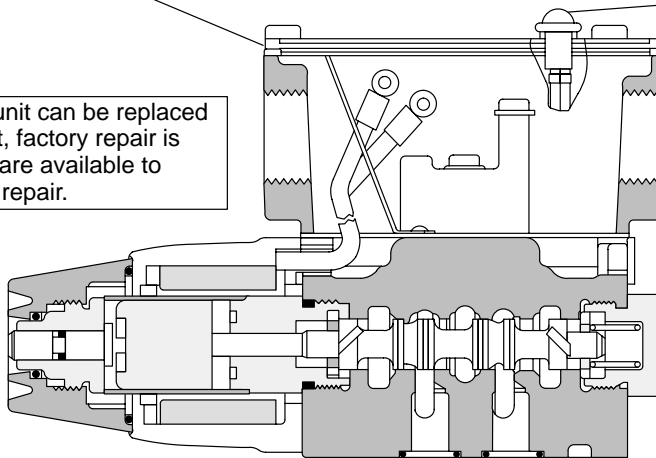
13 Restrictor Plug (A, B, P or T Port)

(See table for Orifice dia. sizes)

14 Design

635065 Carrier
(for light)

As this complete unit can be replaced at a nominal cost, factory repair is not practical. Kits are available to support customer repair.



Light Kit	Voltage Range
926499	12V AC/DC
926431	24V AC/DC
926432	115V AC/DC
926458	230V AC/DC

Light Kits include two lights

For satisfactory service life of these components in industrial applications, use full flow filtration to provide fluid which meets ISO cleanliness code 20/18/15 or cleaner. Selections from Eaton OFP, OFR, and OFRS series are recommended.