


Service Data

Vickers®

Directional Controls

 www.khadamathydraulic.com
Tell: 021-55882749
Tell: 021-33488178
Fax: 021-33488105



Pilot Operated Directional Control Valves

DF3S4-16**-*-53

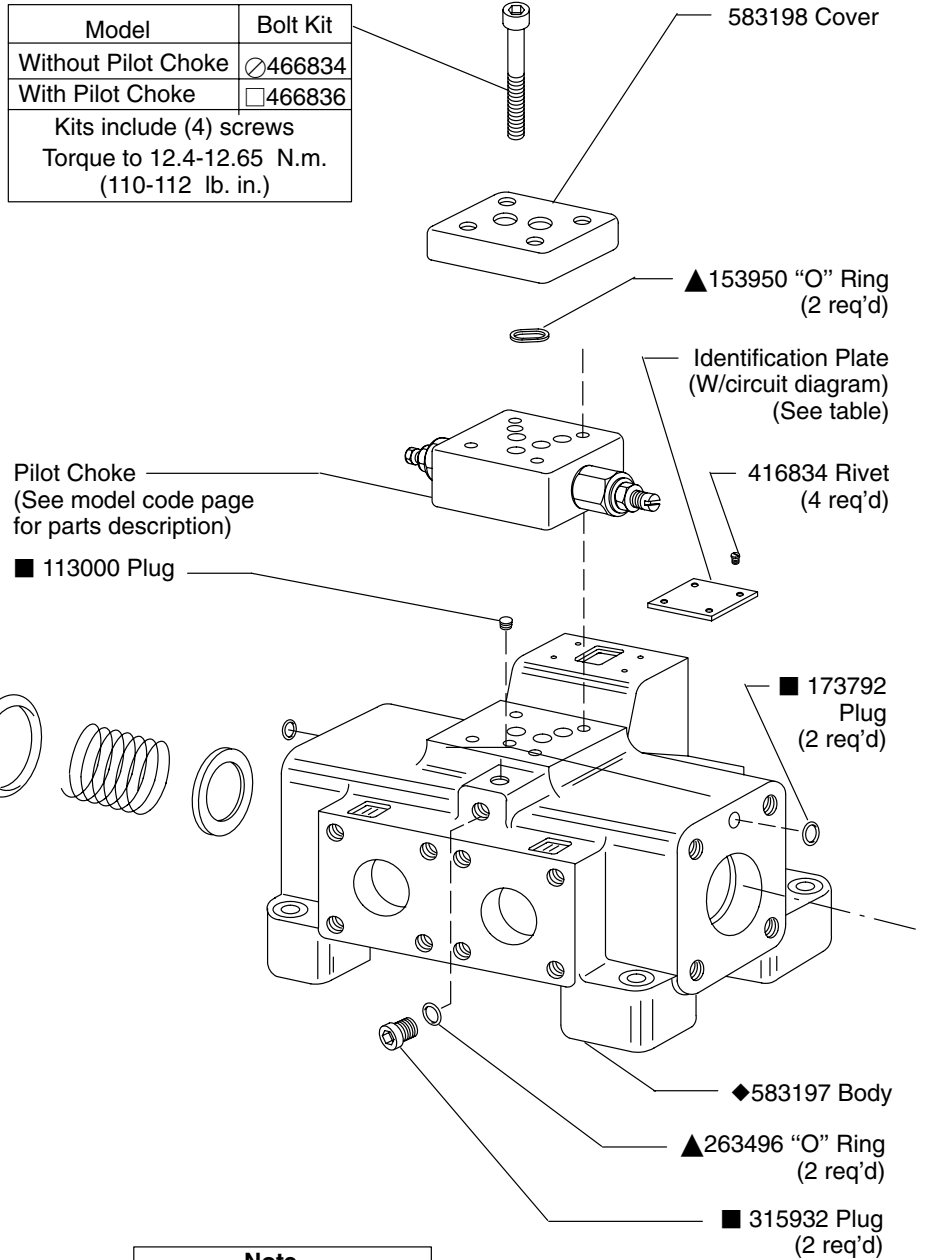
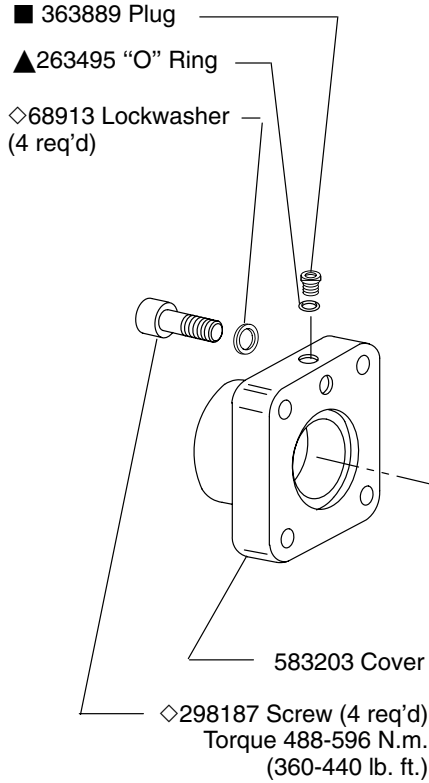


Revised 09/01/85

I-3561-S

■ Plug torques (oiled)		
Plug	Torque (N.m.)	Torque (lb. in.)
7075	20.0-23.0	180-205
113000	5.0-5.9	45-52
315932	22.5-27.0	200-240
363889	16.9-18.0	150-160

Model	Bolt Kit
Without Pilot Choke	○466834
With Pilot Choke	□466836
Kits include (4) screws Torque to 12.4-12.65 N.m. (110-112 lb. in.)	



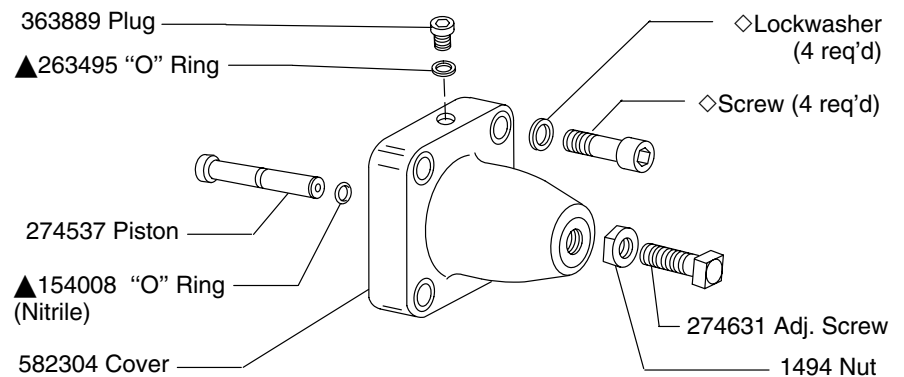
Note
SAE straight thread plugs used on exterior of valve.

See parts drawing I-3962-S for connection flanges.

Note
Part numbers included in kits will not be sold separately.

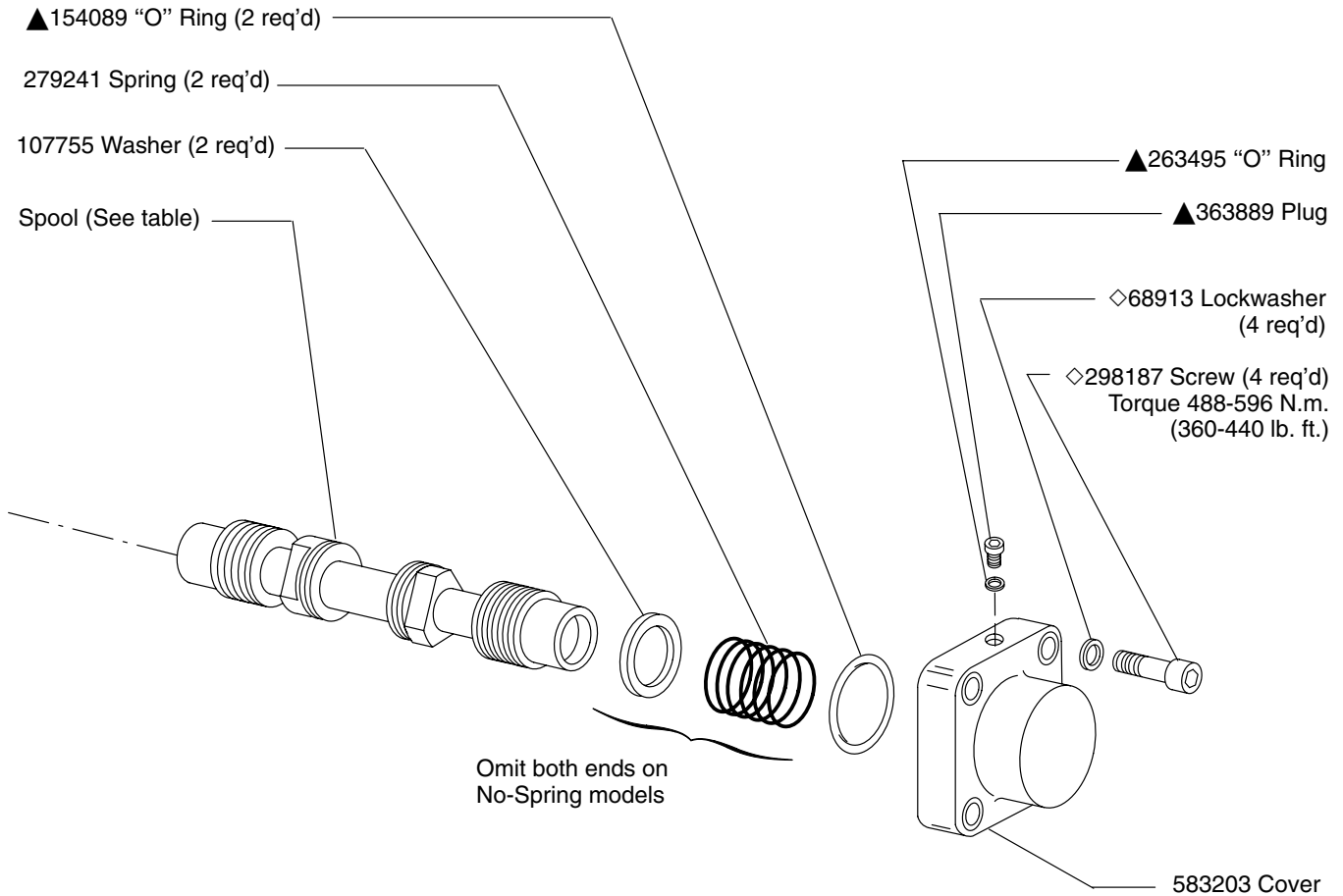
- ▲ Included in F3 Seal Kit 919410
- ◇ Included in Fastener Kit 941309
- Plug torques (See table)
- ◆ Not available for sale
- Included in Bolt Kit 255637
- Included in Bolt Kit 255637

Stroke Adjustment Parts

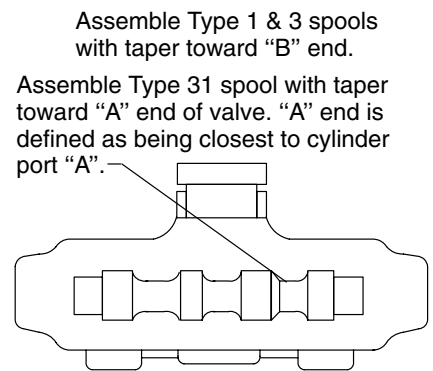
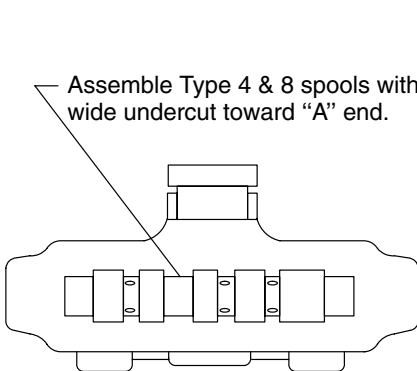


Model	Spool	I.D. Plate	
		"C"	No-Spring
DF3S4-160(C)-*-53	273677	400976	400975
DF3S4-161C)-*-53	*386581	400977	—
DF3S4-162(C)-*-53	273676	400978	400975
DF3S4-163C)-*-53	*275803	400979	—
DF3S4-164C)-*-53	*273720	400980	—
DF3S4-166(C)-*-53	275804	400981	400975
DF3S4-168C)-*-53	*275805	400980	—
DF3S4-169(C)-*-53	275806	400976	400975
DF3S4-1631C)-*-53	275803	580475	—
DF3S4-1633C)-*-53	317777	400981	—

*See spool assembly note below.

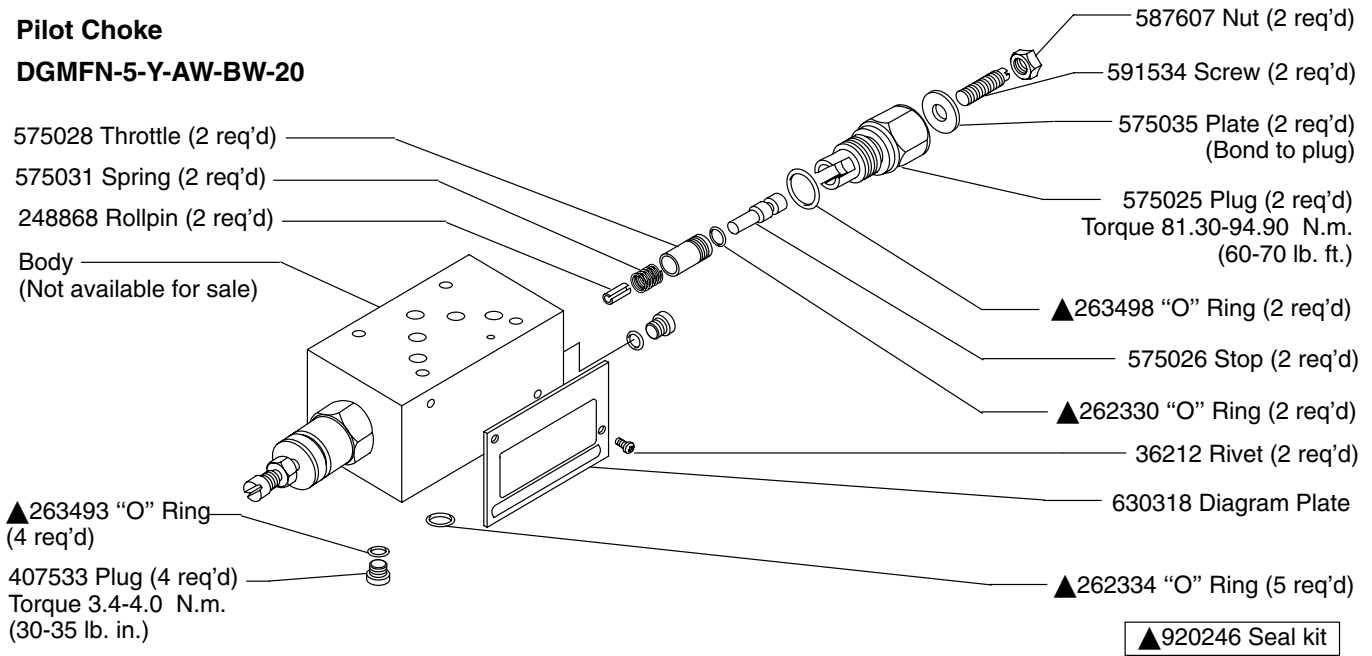


Spool Assembly Note



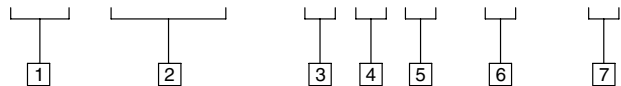
Pilot Choke

DGMFN-5-Y-AW-BW-20



Model Code

(F3) DF3S4 - 16 * * - * - 53



<p>1 Seal Material</p> <p>F3 - Multi-fluid capability Viton® seals <i>Viton is a registered trademark of E.I. DuPont</i></p>	<p>3 Valve Size</p> <p>16 - 160 series (2.00 inch)</p>	<p>6 Spool Control Modification</p> <p>(Omit when not required.)</p> <p>1 - Stroke adjustment</p> <p>2 - Pilot choke adjustments</p> <p>3 - Pilot choke & stroke adjustments</p> <p>7 - Stroke adjustment, cylinder "A" end only</p> <p>8 - Stroke adjustment, cylinder "B" end only</p>
<p>2 Model Series</p> <p>DF3S4 -Directional control valve, flange connections, pilot operated, sliding spool, 4-way flow</p>	<p>4 Spool Types</p>	<p>7 Design</p>
	<p>5 Valve Types</p> <p>C - Spring centered</p> <p>Omit - No-spring</p>	

For satisfactory service life of these components, use full flow filtration to provide fluid which meets ISO cleanliness code 18/15 or cleaner. Selections from Eaton OFF, OFR and OFRS filter series are recommended.