


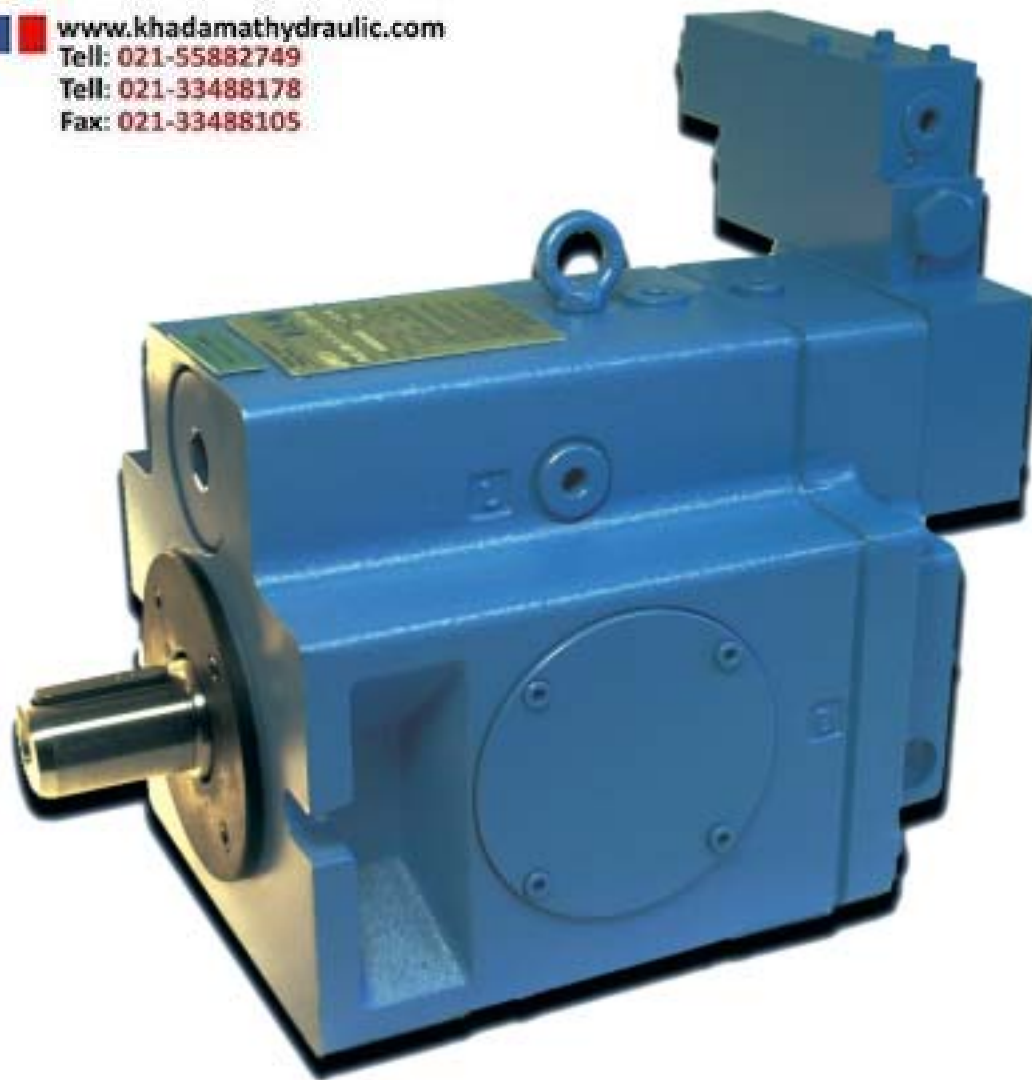
EATON VICKERS

Hydrokraft Open Loop Piston Pumps

Technical Catalog

PVX


www.khadamathydraulic.com
Tell: 021-55882749
Tell: 021-33488178
Fax: 021-33488105




VICKERS®

Table of Contents



Introduction	4
Model Code	
Form Page	5
Basic Pumps	6
No Control	7
DF Control	8
DQ Control	9
LR Control	10
ES Control	11
HG Control	12
FE Control	13
DP Control	14
SP Control	15
Special Features	16
Combination Units	17
Examples for Combination units	18
Pump Specifications	
US	19
Metric	20
Performance Curves	
Performance Curves, Outlet Flow & Inlet Power, Shaft Input Power, 066 to 250 Series	21
Operating Data: Theoretical Bearing Life	22
Operating Data: Typical Drain Flow	23
Controls	
DF, LR Pressure Compensator/Power Control	24
DQ Mooring Control	27
FE, HG Manual Displacement Adj. Control	28
Electric Motor Displacement Control ES	29
Pressure Signal Displacement Control DP	30
Proportional Valve Displacement Control SP	31

Table of Contents (cont.)

 www.khadamhydraulic.com
Tell: 021-55882749
Tell: 021-33488178
Fax: 021-33488105

Pump Dimensions *


PFXS 066.....	32
PFXS 090.....	33
PFXS 130.....	34
PFXS 180.....	35
PFXS 250.....	36
PVXS 066 - 250 DF, Two Stage Pilot Valve	38
PVXS 066 - 250 DF, with Load Sensing Valve	40
PVXS 066 - 250 LR, with Pressure Limiter	42
PVXS 066 - 250 ES.....	44
PVXS 066 - 250 DP, with Prop. Pilot Valve	46
PVXS 066 - 250 SP, with Prop. Pilot Valve	48
Thru - drives.....	50
Splined Shaft	51
SAE4 - Bolt Mounting, Installation Data	52

Application Data

Fluid Recommendations	53
-----------------------------	----

* Dimensions - PVXS-066 to 250 DQ/HG/FE ask for special drawings.

Introduction


www.khadamathydraulic.com
Tell: 021-55882749
Tell: 021-33488178
Fax: 021-33488105

- Axial piston pumps with swashplate design for reliable operation and long life.
- Pressure up to 420 bar. Rated speed up to 1800 min⁻¹. Higher speeds possible.
- Oversize shafts and bearings.
- Rotating and pressure loaded parts are pressure balanced.
- Integrated pilot pump, filter and pressure relief valves available.
- "Building block" design gives these pumps a wide range of application.
- Fast response times.

AVAILABLE DISPLACEMENT SIZES

66 ccm

90 ccm

130 ccm

180 ccm

AVAILABLE REPLACEMENT UNIT DISPLACEMENT SIZES

250 ccm

Displacement controls:

ES - Electric motor displacement control

HG - Handwheel displacement control (Special feature)

FE - Screw adjustment control (Special feature)

DF - Pressure compensator controlled

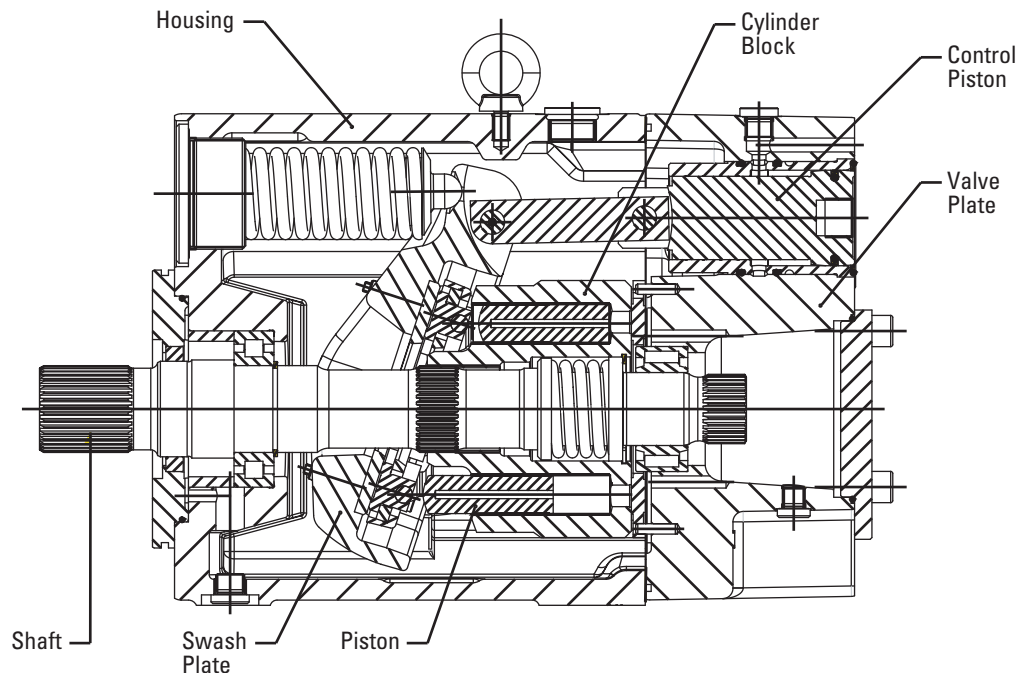
DQ - Mooring control

LR - Power control with pressure limiter

SP, SM - Displacement proportional to electric signal

DP - Displacement proportional to pressure signal

Typical Section of Open Loop PVX Pump

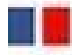


Dimensional information listed in this catalog is subject to change without notice.

Model Code

Fixed & Variable
Displacement Pumps

"X" Series



www.khadamathydraulic.com
Tell: 021-55882749
Tell: 021-33488178
Fax: 021-33488105

Form Page

The following 48-digit coding system has been developed to identify all of the configuration options for the "X" series (Open Loop) fixed and variable displacement pumps. Use this model code to specify a unit with the desired features. All 48-digits must be present when ordering. You may want to photocopy the matrix below to ensure that each number is entered in the correct box. If adjustments other than the standard setting (character 40 ... 43) or special features (character 44 ... 48) are needed, please provide the information when ordering.

Some characters are already filled out on the following pages. For such characters there is no option available.

Explanation for each character can be found as follows:

	CHARACTER	PAGE
Basic Pump Model Code	1...23	6
Control Options	24...39	7 - 15
Customer Adjustment Specification	40...43	7 - 15
Special Features	44...46	16
Design Number	47...48	16

1	2	3	4	5	6	7	8	9	10	11	12	13	14	15	16	17	18	19	20	21	22	23		
P		X		-				M							1				S	V		A		
24	25	26	27	28	29	30	31	32	33	34	35	36	37	38	39	40	41	42	43	44	45	46	47	48
																							1	0

SPECIFY NON STANDARD ADJUSTMENT BELOW

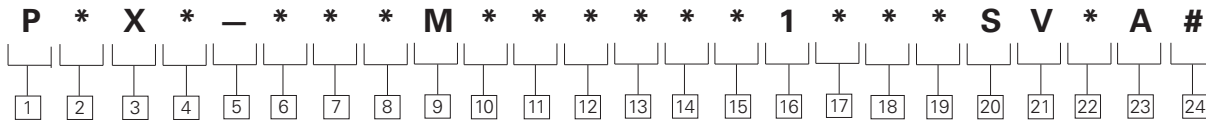
SPECIFY SPECIAL FEATURE BELOW

Model Code

Open Loop Pumps

"X" Series - Basic Pump

 **www.khadamathydraulic.com**
Tell: 021-55882749
Tell: 021-33488178
Fax: 021-33488105



1 Pump

P – Open Loop Pumps

2 Displacement

F – Fixed
V – Variable

3 Pump Series

X – "X" Series
 (was 20 design)

4 Configuration

S – Single Unit
R – Rear Unit

5 Separator

6 7 8 Displacement cm³/r

066 – 66 cm³/r [4.0 in³/rev]
090 – 90 cm³/r [5.5 in³/rev]
130 – 130 cm³/r [7.9 in³/rev]
180 – 180 cm³/r [11.0 in³/rev]
250 – 250 cm³/r [15.3 in³/rev]
??? – Non-Standard Displacement (PFX Only)

9 Basic Standard

M – Metric

10 11 Mounting Flange

02 – ISO 3019/2-125A2HW
04 – ISO 3019/2-160A2HW
06 – ISO 3019/2-200A2HW
 * See Chart Below

12 Rotation Direction

R – Right Hand [CW]
L – Left Hand [CCW]
 ** See Chart Below

13 Adjustment Stops

0 – No Stop
4 – Mechanical Adjustment Stop Side A (PVX only)
5 – Mechanical Adjustment Stop Side B (PVX only)
6 – Mechanical Adjustment Stops Side A and B (PVX only)

NOTE:

4 is used as max. Adjustment on Side A.
5 is used as min. Adjustment stop side A.
6 is the combination of 4 and 5 together

14 15 Thru-Drive Options

00 – None
0A – SAE A
0B – SAE B
0C – SAE C
0P – Pilot pump (8cm³/r) (PVX only)
 *** See Chart Below

16 Main Ports

1 – SAE ports - metric bolts

17 Main Port Orientation

A – Axial (in-line rear)
R – Radial (side ports)

18 19 Main Drive Shaft

End
01 – ISO straight key
02 – ISO spline

20 Drive Shaft Seal Configuration

S – Single shaft seal

21 Seal Material

V – Viton**

22 Yoke Position Indicator

0 – No position indicator
V – Visual position indicator
P – Position sensor
M – Sensor w/visual indicator

23 Surface Finish

A – Blue painted

24 Add Control Model Code

Code (characters 24...43) on the following pages

*MOUNTING FLANGE OPTIONS AVAILABLE	066	090	130	180	250
ISO 3019/2-125A2HW	•	•			
ISO 3019/2-160A2HW			•	•	
ISO 3019/2-200A2HW					•

**ROTATION DIRECTION	066	090	130	180	250
Right Hand	•	•	•	•	•
Left Hand	•	•	•	•	

***THRU-DRIVE OPTIONS	066	090	130	180	250
SAE A	•	•	•	•	•
SAE B			•	•	•

Model Code

Open Loop Pumps

"X" Series - No Control

 www.khadamathydraulic.com
 Tell: 021-55882749
 Tell: 021-33488178
 Fax: 021-33488105

0 0 0 0 0 A 0 0 0 0 0 0 0 0 0 0 0 0 0 #
 [24] [25] [26] [27] [28] [29] [30] [31] [32] [33] [34] [35] [36] [37] [38] [39] [40] [41] [42] [43] [44]

[24] [25] **Control Type**
 00 – No Control
 (For PFX only)

[26] **Displacement Adjustment Options**
 0 – Not Applicable

[27] [28] **Electronic Controls**
 00 – Not Required

[29] **Yoke Displacement Zone**
 A – Single Side of Center "A"

[30] **Extra Functions**
 0 – Not Required

[31] **Pressure Control Options**
 0 – Not Applicable

[32] [33] [34] **Power Control**
 000 – Not Applicable

[35] **Pilot Oil Filter**
 0 – Not Applicable

[36] **Venting Valve**
 0 – Not Applicable

[37] **No Position Monitoring**
 0 – No Position Monitoring

[38] **Electric Motor Type**
 0 – No Electric Motor

[39] **Control Voltage**
 0 – Not Applicable


[40] [41] [42] [43] **Customer Adjustment Specifications**
 0000 – None

[44] **Special Features**
 Add special feature description (characters 44...46) on page 16 if required.

Model Code

Open Loop Pumps

"X" Series - DF Control

 **www.khadamathydraulic.com**
Tell: 021-55882749
Tell: 021-33488178
Fax: 021-33488105

D F 0 0 0 A * * 0 0 0 0 * 0 0 * * * * * #

24
25
26
27
28
29
30
31
32
33
34
35
36
37
38
39
40
41
42
43
44

2425 Control Type
DF – Pressure Compensator

26 Displacement Adjustment Options
0 – Not Applicable

2728 Electronic Controls
00 – Not Required

29 Yoke Displacement Zone
A – Single Side of Center "A"

30 Extra Functions
0 – Not Required
1 – Load Sensing Extra Function

31 Pressure Control Options
0 – Not Applicable
F – Remote Port Only
K – Electro Proportional Relief Valve- Incl. Electr. Card

323334 Power Control
000 – Not Applicable

35 Pilot Oil Filter
0 – Not Applicable

36 Venting Valve
0 – Not Applicable
1 – With Solenoid Valve

37 Position Monitoring
0 – No Position Monitoring

38 Electric Motor Type
0 – No Electric Motor

39 Control Voltage of Venting Valve
0 – Not Applicable
B – 110 AC 50 HZ/
 120 AC 60 HZ
D – 220 AC 50 HZ/
 240 AC 60 HZ
G – 12 VDC
J – 24 VDC

40414243 Customer Adjustment Specification
0000 – None
???? – Yes (final number will be assigned by Eaton. Specify on table below)

44 Special Features
 Add special feature description (characters 44...46) on page 16 if required.

***CUSTOMER ADJUSTMENT SPECIFICATIONS**

	Unit	Standard Adjustment	Customer Specified Adjustment	Remarks
All Revolution Adjustments below set at ..	rpm	1500	-	
Mech. Stop Side A (used as max Adjustment Stop Side A)	L/min	Q _{max}		
Mech. Stop Side B (used as min Adjustment Stop Side B)	L/min	Q _{min}		
Pressure Control Main Stage	bar	20	-	
Pressure Control Pilot Valve	bar	19		
Load Sense p	bar	15		<15 bar not possible

Model Code

Open Loop Pumps

"X" Series - DQ Control

 www.khadamathydraulic.com
 Tell: 021-55882749
 Tell: 021-33488178
 Fax: 021-33488105

D Q 0 0 0 C 0 * 0 0 0 0 * 0 0 * * * * * #

□	□	□	□	□	□	□	□	□	□	□	□	□	□	□	□	□	□	□	□	□
24	25	26	27	28	29	30	31	32	33	34	35	36	37	38	39	40	41	42	43	44

24 25 Control Type
DQ – Mooring Control

26 Displacement Adjustment Options
0 – Not Applicable

27 28 Electronic Controls
00 – Not Required

29 Yoke Displacement Zone
C – Over Center

30 Extra Functions
0 – Not Required

31 Pressure Control Options
0 – Not Applicable
F – Remote Port Only
K – Electro Proportional Relief Valve– Incl. Electr. Card

32 33 34 Power Control
000 – Not Applicable

35 Pilot Oil Filter
0 – Not Applicable

36 Venting Valve
0 – Not Applicable
1 – With Solenoid Valve

37 Position Monitoring
0 – No Position Monitoring

38 Electric Motor Type
0 – No Electric Motor

39 Control Voltage of Venting Valve
0 – Not Applicable
B – 110 AC 50 HZ/
 120 AC 60 HZ
D – 220 AC 50 HZ/
 240 AC 60 HZ
G – 12 VDC
J – 24 VDC

40 41 42 43 Customer Adjustment Specification
0000 – None
???? – Yes (final number will be assigned by Eaton. Specify on table below)

44 Special Features
 Add special feature description (characters 44...46) on page 16 if required.

MOORING CONTROL AVAILABLE ON THE FOLLOWING FRAMES

	Available	Not Available
066	*	
090		*
130	*	
180	*	
250		*

***CUSTOMER ADJUSTMENT SPECIFICATIONS**

	Unit	Standard Adjustment	Customer Specified Adjustment	Remarks
All Revolution Adjustments below set at ..	rpm	1500	-	
Mech. Stop Side A (used as max Adjustment Stop Side A)	L/min	Q _{max}		
Mech. Stop Side B (used as min Adjustment Stop Side B)	L/min	Q _{min}		
Pressure Control Main Stage	bar	20	-	
Pressure Control Pilot Valve	bar	90		

Model Code

Open Loop Pumps

"X" Series - LR Control

 **www.khadamathydraulic.com**
Tell: 021-55882749
Tell: 021-33488178
Fax: 021-33488105

L R 0 0 0 A * * * * * 0 * 0 0 * * * * * #
└─┘
[24] [25] [26] [27] [28] [29] [30] [31] [32] [33] [34] [35] [36] [37] [38] [39] [40] [41] [42] [43] [44]

[24] [25] Control Type
LR – Power Control

[26] Displacement Adjustment Options
0 – Not Applicable

[27] [28] Electronic Controls
00 – Not Required

[29] Yoke Displacement Zone
A – Single Side of Center "A"

[30] Extra Functions
2 – Pressure Limiter Extra Function
3 – Load Sense & Pressure Limiter Extra Function

[31] Pressure Control Options
0 – Not Applicable
F – Remote Port Only
K – Electro Proportional Relief Valve– Incl. Electr. Card

[32] [33] [34] Power Control
??? – KW at 1500 rpm

[35] Pilot Oil Filter
0 – Not Applicable

[36] Venting Valve
0 – Not Applicable
1 – With Solenoid Valve

[37] Position Monitoring
0 – No Position Monitoring

[38] Electric Motor Type
0 – No Electric Motor

[39] Control Voltage of Venting Valve
0 – Not Applicable
B – 110 AC 50 HZ/
120 AC 60 HZ
D – 220 AC 50 HZ/
240 AC 60 HZ
G – 12 VDC
H – 24 VDC

[41] [42] [43] Customer Adjustment Specification
0000 – None
???? – Yes (final number will be assigned by Eaton. Specify on table below)

[44] Special Features
Add special feature description (characters 44...46) on page 16 if required.

***CUSTOMER ADJUSTMENT SPECIFICATIONS**

	Unit	Standard Adjustment	Customer Specified Adjustment	Remarks
All Revolution Adjustments below set at ..	rpm	1500		
Mech. Stop Side A (used as max Adjustment Stop Side A)	L/min	Q _{max}		
Mech. Stop Side B (used as min Adjustment Stop Side B)	L/min	Q _{min}		
Pressure Control Main Stage	bar	20		
Pressure Control Pilot Valve	bar	90		
Load Sense p	bar	15		<15 bar not possible

Model Code

Open Loop Pumps

"X" Series - ES Control



www.khadamathydraulic.com

Tell: 021-55882749

Tell: 021-33488178

Fax: 021-33488105

E S * 0 0 A 0 * 0 0 0 0 0 * * 0 * * * * #

24
25
26
27
28
29
30
31
32
33
34
35
36
37
38
39
40
41
42
43
44

24 25 Control Type

ES – Electric Motor Displacement

26 Displacement Adjustment Options

- M** – Electric Motor - Fast Response*
- N** – Electric Motor - Medium Response*
- P** – Electric Motor - Slow Response*

27 28 Electronic Controls

00 – Not Required

29 Yoke Displacement Zone

A – Single Side of Center "A"

30 Extra Functions

0 – Not Required

31 Pressure Control Options

0 – Not Applicable

32 33 34 Power Control

000 – Not Applicable

35 Pilot Oil Filter

0 – Not Applicable

36 Venting Valve

0 – Not Applicable

37 Position Monitoring

- A** – 4 Limit Switches
- B** – 8 Limit Switches
- P** – 4 Limit Switches w/Sensor
- T** – 8 Limit Switches w/Sensor

38 Electric Motor Type

- 2** – Motor With Brake (IP-54)
- 3** – Motor Without Brake (Explosion Proof)

39 Control Voltage of Venting Valve

0 – Not Applicable

40 41 42 43 Customer Adjustment Specification

0000 – None
???? – Yes (final number will be assigned by Eaton. Specify on table below)

44 Special Features

Add special feature description (characters 44...46) on page 16 if required.

Response Time (sec) for Zero to max. Displacement

SIZE	066/090		130/180		250	
Frequency	50 Hz	60 Hz	50 Hz	60 Hz	50 Hz	60 Hz
Fast	7	6	18	15	15	13
Medium	24	20	35	29	30	25
Slow	38	32	54	45	48	40

****CUSTOMER ADJUSTMENT SPECIFICATIONS**

	Unit	Standard Adjustment	Customer Specified Adjustment	Remarks
All Revolution Adjustments below set at ..	rpm	1500		
Mech. Stop Side A (used as max Adjustment Stop Side A)	L/min	Q_{max}		
Mech. Stop Side B (used as min Adjustment Stop Side B)	L/min	Q_{min}		
Displacement Adjusted to...	cm ³ /rev.	~50% Q_{max}		
Position Monitoring Switch	1 L/min	0		
	2 L/min	95% of Q_{max}		<95% not possible
	3 L/min			
	4 L/min			
	5 L/min			
	6 L/min			
	7 L/min			
	8 L/min			

Model Code

Open Loop Pumps

"X" Series - HG Control

 www.khadamathydraulic.com
 Tell: 021-55882749
 Tell: 021-33488178
 Fax: 021-33488105

H G 0 0 0 A 0 0 0 0 0 0 0 0 0 0 * * * * #

[24] [25] [26] [27] [28] [29] [30] [31] [32] [33] [34] [35] [36] [37] [38] [39] [40] [41] [42] [43] [44]

[24] [25] **Control Type**
HG – Handwheel Displacement Control

[26] **Displacement Adjustment Options**
0 – Not Applicable

[27] [28] **Electronic Controls**
00 – Not Required

[29] **Yoke Displacement Zone**
A – Single Side of Center "A"

[30] **Extra Functions**
0 – Not Required

[31] **Pressure Control Options**
0 – Not Applicable

[32] [33] [34] **Power Control**
000 – Not Applicable

[35] **Pilot Oil Filter**
0 – Not Applicable

[36] **Venting Valve**
0 – Not Applicable

[37] **Position Monitoring**
0 – No Position Monitoring

[38] **Electric Motor Type**
0 – No Electric Motor

[39] **Control Voltage of Venting Valve**
0 – Not Applicable

[40] [41] [42] [43] **Customer Adjustment Specification**
0000 – None
???? – Yes (final number will be assigned by Eaton. Specify on table below)

[44] **Special Features**
 Add special feature description (characters 44...46) on page 16 if required.

***CUSTOMER ADJUSTMENT SPECIFICATIONS**

	Unit	Standard Adjustment	Customer Specified Adjustment	Remarks
All Revolution Adjustments below set at ..	rpm	1500		
Displacement Adjusted to...	L/min	Q _{max}		

Model Code

Open Loop Pumps

"X" Series - FE Control

F E 0 0 0 A 0 0 0 0 0 0 0 0 0 0 * * * * #

24 25 26 27 28 29 30 31 32 33 34 35 36 37 38 39 40 41 42 43 44

24 25 Control Type

FE – Screw Adjustment
Displacement Control

26 Displacement Adjustment Options

0 – Not Applicable

27 28 Electronic Controls

00 – Not Required

29 Yoke Displacement Zone

A – Single Side of Center "A"

30 Extra Functions

0 – Load Sensing
Extra Function

31 Pressure Control Options

0 – Not Applicable

32 33 34 Power Control

000 – Not Applicable

35 Pilot Oil Filter

0 – Not Applicable

36 Venting Valve

0 – Not Applicable

37 Position Monitoring

0 – No Position Monitoring

38 Electric Motor Type

0 – No Electric Motor

39 Control Voltage of Venting Valve

0 – Not Applicable

41 42 43 Customer Adjustment Specification

0000 – None
???? – Yes (final number will be assigned by Eaton. Specify on table below)

44 Special Features

Add special feature description (characters 44...46) on page 16 if required.

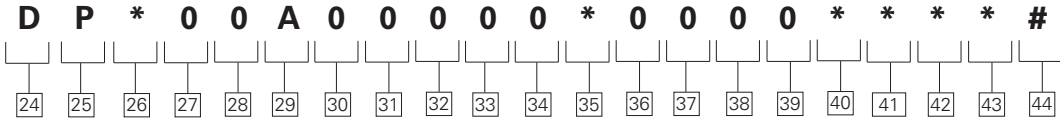
***CUSTOMER ADJUSTMENT SPECIFICATIONS**

	Unit	Standard Adjustment	Customer Specified Adjustment	Remarks
All Revolution Adjustments below set at ..	rpm	1500		
Displacement Adjusted to...	L/min	Q _{max}		

Model Code

Open Loop Pumps

"X" Series - DP Control



[24] [25] Control Type
DP – Pressure Signal Adjustment Displacement Control

[26] Displacement Adjustment Options
G – Mounting Interface CETOP 3 Only
H – Remote Port G 1/4
J – Proportional Relief Inc. Electronics

[27] [28] Electronic Controls
00 – Not Required

[29] Yoke Displacement Zone
A – Single Side of Center "A"

[30] Extra Functions
0 – Not Required

[31] Pressure Control Options
0 – Not Applicable

[32] [33] [34] Power Control
000 – Not Applicable

[35] Pilot Oil Filter
0 – Not Applicable
V – Filter with Visual Indicator
E – Filter with Electrical Indicator

[36] Venting Valve
0 – Not Applicable

[37] Position Monitoring
0 – No Position Monitoring

[38] Electric Motor Type
0 – No Electric Motor

[39] Control Voltage of Venting Valve
0 – Not Applicable

[40] [41] [42] [43] Customer Adjustment Specification
0000 – None
???? – Yes (final number will be assigned by Eaton. Specify on table below)

[44] Special Features
 Add special feature description (characters 44...46) on page 16 if required.

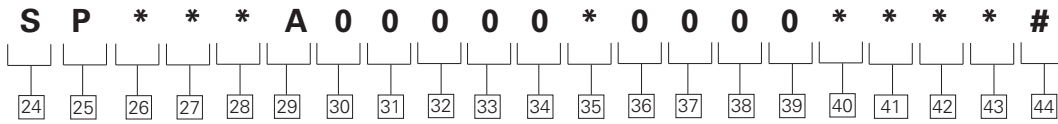
***CUSTOMER ADJUSTMENT SPECIFICATIONS**

	Unit	Standard Adjustment	Customer Specified Adjustment	Remarks
All Revolution Adjustments below set at ..	rpm	1500	-	
Pilot Pressure	bar	60		
Mech. Stop Side A (used as max Adjustment Stop Side A)	L/min	Q _{max}		
Mech. Stop Side B (used as min Adjustment Stop Side B)	L/min	Q _{min}		

Model Code

Open Loop Pumps

"X" Series - SP Control



24 25 Control Type
SP – Proportional Valve Adjustment Displacement Control

26 Displacement Adjustment Options
C – With CETOP 3 Prop Valve KDG4V 3
F – With CETOP 5 Prop Valve

27 28 Electronic Controls
03 – ER 9.3 - 10 (CETOP 3)
04 – ER 9.4 - 10 (CETOP 5)

29 Yoke Displacement Zone
A – Single Side of Center "A"

30 Extra Functions
0 – Not Required

31 Pressure Control Options
0 – Not Applicable

32 33 34 Power Control
000 – Not Applicable

35 Pilot Oil Filter
V – Filter with Visual Indicator
E – Filter with Electrical Indicator

36 Venting Valve
0 – Not Applicable

37 Position Monitoring
0 – No Position Monitoring

38 Electric Motor Type
0 – No Electric Motor

39 Control Voltage of Venting Valve
0 – Not Applicable

40 41 42 43 Customer Adjustment Specification
0000 – None
???? – Yes (final number will be assigned by Eaton. Specify on table below)

44 Special Features
 Add special feature description (characters 44...46) on page 16 if required.

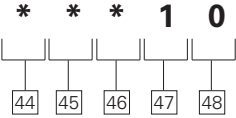
*CUSTOMER ADJUSTMENT SPECIFICATIONS

	Unit	Standard Adjustment	Customer Specified Adjustment	Remarks
All Revolution Adjustments below set at ..	rpm	1500	-	
Pilot Pressure	bar	60	-	
Mech. Stop Side A (used as max Adjustment Stop Side A)	L/min	Q_{max}		
Mech. Stop Side B (used as min Adjustment Stop Side B)	L/min	Q_{min}		
Max. Stop by Control Side A	L/min	95% Q_{max}	El Card Adjustment done by customer	Refer to El card Manual
Min. Stop by Control Side A	L/min	0+/-2.5%	El Card Adjustment done by customer	Refer to El card Manual
Ramp Time 0 → A For 100% Stroke	sec	0	El Card Adjustment done by customer	Refer to El card Manual
Ramp Time A → 0 For 100% Stroke	sec	0	El Card Adjustment done by customer	Refer to El card Manual
Preset Input Signals S1....S4	L/min	-	El Card Adjustment done by customer	Refer to El card Manual

Model Code

Open Loop Pumps

"X" Series - Special Features



44 45 46 **Special Features**

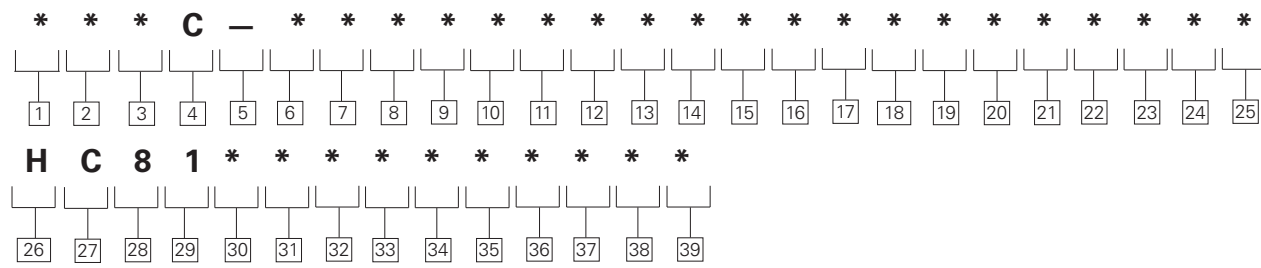
- 000 – None
- *** – Defined by Eaton

47 48 **Design Number**

- 10 – Design Number

Model Code

Combination Units



1 **Combination Unit**
P – Pump
T – Transmission Pump
M – Motor

2 **Displacement**
F – Filled
V – Variable

3 **Pump Series**
W – “W” Series
 (was 30 design)
X – “X” Series
 (was 20 design)

4 **Combination Unit**
C

5 **Separator**

6 **7** **8** **First Displacement cm³/r**
066 – 66 cm³/r [4.0 in³/rev]
090 – 90 cm³/r [5.5 in³/rev]
130 – 130 cm³/r [7.9 in³/rev]
180 – 180 cm³/r [11.0 in³/rev]
250 – 250 cm³/r [15.3 in³/rev]
360 – 360 cm³/r [22.0 in³/rev]
500 – 500 cm³/r [30.5 in³/rev]
750 – 750 cm³/r [45.8 in³/rev]

9 **10** **First Control Type**
00 – No Control (for Fixed Displacement Only)
DF – Pressure Compensator
LR – Power Control
ES – Electric Motor Control
HG – Handwheel Displacement Control
FE – Screw Adjustment Displacement Control
SM – Servo Adjustment Displacement Control - Mech Feedback
DP – Pressure Signal Displacement Control
SP – Proportional Valve Displacement Control

11 **12** **13** **Second Displacement cm³/r**
066 – 66 cm³/r [4.0 in³/rev]
090 – 90 cm³/r [5.5 in³/rev]
130 – 130 cm³/r [7.9 in³/rev]
180 – 180 cm³/r [11.0 in³/rev]
250 – 250 cm³/r [15.3 in³/rev]
360 – 360 cm³/r [22.0 in³/rev]
500 – 500 cm³/r [30.5 in³/rev]
750 – 750 cm³/r [45.8 in³/rev]

14 **15** **Second Control Type**
00 – No Control (for Fixed Displacement Only)
DF – Pressure Compensator
LR – Power Control
ES – Electric Motor Control
HG – Handwheel Displacement Control
FE – Screw Adjustment Displacement Control
SM – Servo Adjustment Displacement Control - Mech Feedback
DP – Pressure Signal Displacement Control
SP – Proportional Valve Displacement Control

16 **17** **18** **Third Displacement cm³/r**
000 – Not Required
066 – 66 cm³/r [4.0 in³/rev]
090 – 90 cm³/r [5.5 in³/rev]
130 – 130 cm³/r [7.9 in³/rev]
180 – 180 cm³/r [11.0 in³/rev]
250 – 250 cm³/r [15.3 in³/rev]
360 – 360 cm³/r [22.0 in³/rev]
500 – 500 cm³/r [30.5 in³/rev]
750 – 750 cm³/r [45.8 in³/rev]

19 **20** **Third Control Type**
00 – No Control (for Fixed Displacement Only)
DF – Pressure Compensator
LR – Power Control
ES – Electric Motor Control
HG – Handwheel Displacement Control
FE – Screw Adjustment Displacement Control
SM – Servo Adjustment Displacement Control - Mech Feedback
DP – Pressure Signal Displacement Control
SP – Proportional Valve Displacement Control

21 **22** **23** **Fourth Displacement cm³/r**
000 – Not Required
066 – 66 cm³/r [4.0 in³/rev]
090 – 90 cm³/r [5.5 in³/rev]
130 – 130 cm³/r [7.9 in³/rev]
180 – 180 cm³/r [11.0 in³/rev]
250 – 250 cm³/r [15.3 in³/rev]
360 – 360 cm³/r [22.0 in³/rev]
500 – 500 cm³/r [30.5 in³/rev]
750 – 750 cm³/r [45.8 in³/rev]

24 **25** **Fourth Control Type**
00 – No Control (for Fixed Displacement Only)
DF – Pressure Compensator
LR – Power Control
ES – Electric Motor Control
HG – Handwheel Displacement Control
FE – Screw Adjustment Displacement Control
SM – Servo Adjustment Displacement Control - Mech Feedback
DP – Pressure Signal Displacement Control
SP – Proportional Valve Displacement Control

26 **27** **28** **29** **Assembly Numbers**
HC81 – Defined By Eaton

30 **31** **32** **33** **34** **35** **36** **37** **38** **39** **Assembly Numbers**
 Defined By Eaton

- For a combination of two or more units fill out this Combination Model Code.
- Start with the biggest size unit for the first displacement.
- For each unit included in this combination, a separate model code must be chosen. Use the form on page 4.
- Character 26 to 39 will be P/N of the combination. This number will be defined by Eaton and provided in the order acknowledgement.
- Charge and Pilot Pump through drive option must be specified on the rear unit of the combination (as a special feature).
- Front and middle units shall have the through drive option of the following unit in the combination.

Model Code

Examples for
Combination Units

Example 1: Combination of two open loop pumps

Model Code Front Unit	PVWF-500M08R0001R02SVMASPC03A000000000000000010
Model Code Rear Unit	PVXR-250M07R0001R02SVMASPC03A000000000000000010
Model Code Combination Unit	PVWC-500SP250SP0000000000HC81*****

Example 2: Combination of one closed loop - and two open loop pumps (For other product model codes refer to the according catalog)

Mode Code Front Unit	TVWF-500M08R0000H1R02SVMA20SPC03C00000000E000H000000010
Model Code Middle Unit	PVWM-250M07R0001R02SV0ADF000A000000000000000010
Model Code Rear Unit	PFXR-130M02R00P1A02SV0A00000A000000000000000010
Model Code Combination Unit	TVWC-500SP250DF1300000000HC81*****

Pump Specifications - US

MODEL			66	90	130	180	250
Design			Swashplate - Axial piston pump				
Type of mounting			Flange or foot-mounted. tandem is foot mounted only				
Pipe connection SAE Flange	B A	psi	1 1/2" = 3000 1" = 6000	2" = 3000 1" = 6000	2 1/2" = 3000 1" = 6000	2 1/2" = 3000 1 1/4" = 6000	3 1/2" = 500 1 1/4" = 6000
Direction of rotation			Clockwise when viewing shaft end of pump Counterclockwise available on request				
Speed range	n _{min} n _{max}	rpm	150 1800				
Installation position			Optional, see mounting information				
Ambient temperature range	min max	°F	-4 122				
Weight	m	lb	121	165	234	251	467
Mass of inertia	J	lb ft ²	0.38	0.38	1.068	1.068	3.465

HYDRAULIC CHARACTERISTICS

Nominal pressure (100% duty cycle)	p _N	psi	5000				
Input pressure	p _{1min}	psi	12.5 abs				
	p _{1max}	psi	725				
Maximum pressure to DIN 24312	p _{2max}	psi	6090				
Hydraulic fluid			Hydraulic oil to DIN 51524 part 2. Refer to section Application Data-Fluid Recommendations				
Hydraulic fluid temperature range	min	°F	-13 (on startup)				
	max		194				
Viscosity range for continuous operation	min	cSt	10				
	max	cSt	75				
Maximum permissible start viscosity	max	cSt	1000				
Filtering	ISO 4406		18/15/13				
Maximum geometric displacement	n= 1500 rpm	V _g	4.1	5.5	7.9	11.0	15.2
	n= 1800 rpm						
Maximum geometric pump flow	n= 1500 rpm	Q _g	26	36	52	71	99
	n= 1800 rpm		32	43	62	86	119
Case pressure	p _{v max}	psi	max. 7.2psi over p ₁ . p _{max} = 58 abs.				

DRIVE

Maximum driving torque - single unit (p _{2 max} , η= 100%)	M _{1 Single}	lb.ft.	325	444	640	887	1233
Maximum power consumption - single unit (p _{2 max} , η= 100%; n= 1800 rpm)	P _{1 Single}	hp	93	126	182	254	355
Maximum driving torque limited to splined shaft only - comb. unit	M _{1 Comb.}	lb.ft.	2x325	2x444	2x640	2x887	2x1233

Pump Specifications - Metric

MODEL			66	90	130	180	250
Design			Swashplate - Axial piston pump				
Type of mounting			Flange or foot-mounted. tandem is foot mounted only				
Pipe connection SAE/Flange	B A	psi	1 1/2" = 3000 1" = 6000	2" = 3000 1" = 6000	2 1/2" = 3000 1" = 6000	2 1/2" = 3000 1 1/4" = 6000	3 1/2" = 500 1 1/4" = 6000
Direction of rotation			Clockwise when viewing shaft end of pump Counterclockwise available on request				
Speed range	n _{min} n _{max}	min ⁻¹	150 1800				
Installation position			Optional, see mounting information				
Ambient temperature range	min max	°C	-20 50				
Weight	m	kg	55	75	106	114	212
Mass of inertia	J	kg m ²	0.016	0.016	0.045	0.045	0.146

HYDRAULIC CHARACTERISTICS

Nominal pressure (100% duty cycle)	p _N	bar	350					
Input pressure	p _{1min}	bar	0.85 abs					
	p _{1max}	bar	50					
Maximum pressure to DIN 24312	p _{2max}	bar	420					
Hydraulic fluid			Hydraulic oil to DIN 51524 part 2. Refer to section Application Data-Fluid Recommendations					
Hydraulic fluid temperature range	min	°C	-25 (on start up)					
	max		90					
Viscosity range for continuous operation	min	cSt	10					
	max	cSt	75					
Maximum permissible start viscosity	max	cSt	1000					
Filtering	ISO 4406		18/15/13					
Maximum geometric displacement	n= 1500 min ⁻¹ n= 1800 min ⁻¹	V _g	cm ³	66	90	130	180	250
	Maximum geom. pump flow	n= 1500 min ⁻¹ n= 1800 min ⁻¹	Q _g	L/min	99	135	195	270
118					162	234	324	450
Case pressure	p _{v max}	bar	max. 0,5 bar over p ₁ . p _{max} = 4 bar abs.					

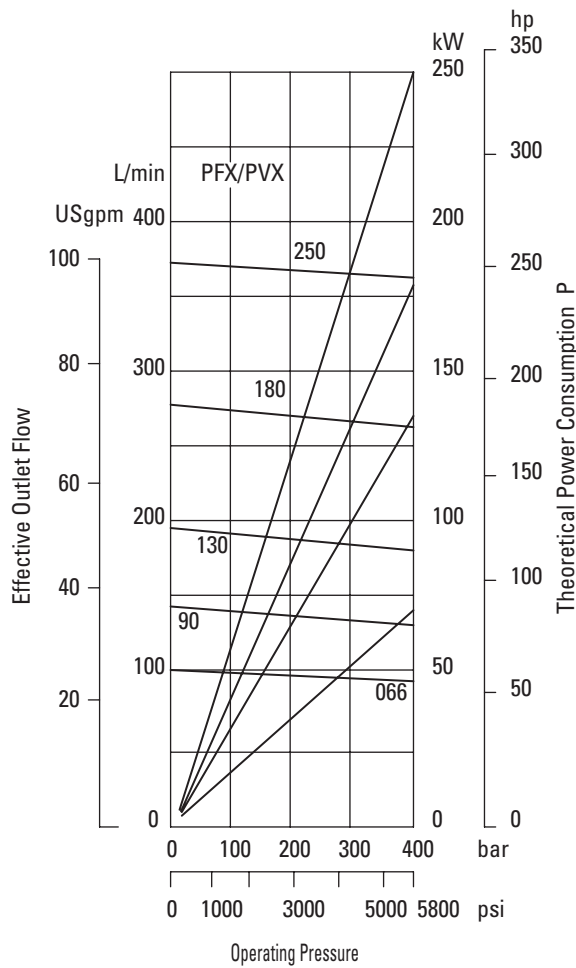
DRIVE

Maximum driving torque - single unit (p _{2 max} , η= 100%)	M _{1 Single}	Nm	440	600	868	1202	1671
Maximum power consumption - single unit (p _{2 max} , η= 100%; n= 1800 min ⁻¹)	P _{1 Single}	kW	69	94	136	189	265
Maximum driving torque limited to splined shaft only - comb. unit	M _{1 Comb.}	Nm	2x440	2x600	2x868	2x1202	2x1671

Performance Curves -

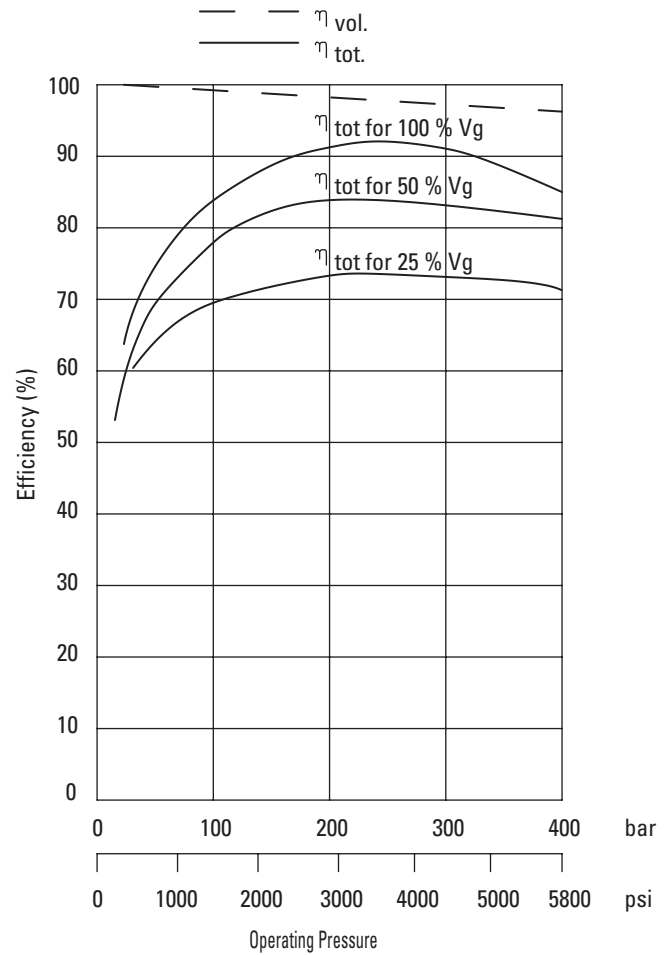
066, 090, 130,
180, 250 Series

Outlet Flow and Theoretical Power Consumption



Typical at 1500 min⁻¹ with anti-wear oil at 40 cSt
Single displacement pumps: PFX,PVX

Volumetric and Overall Efficiencies

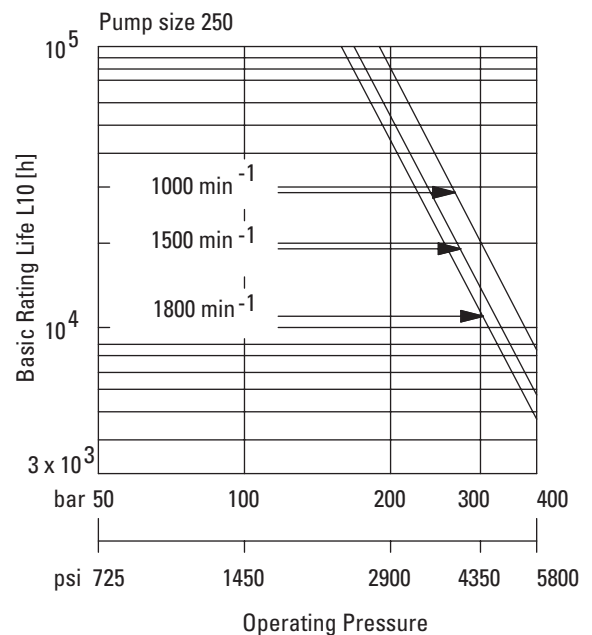
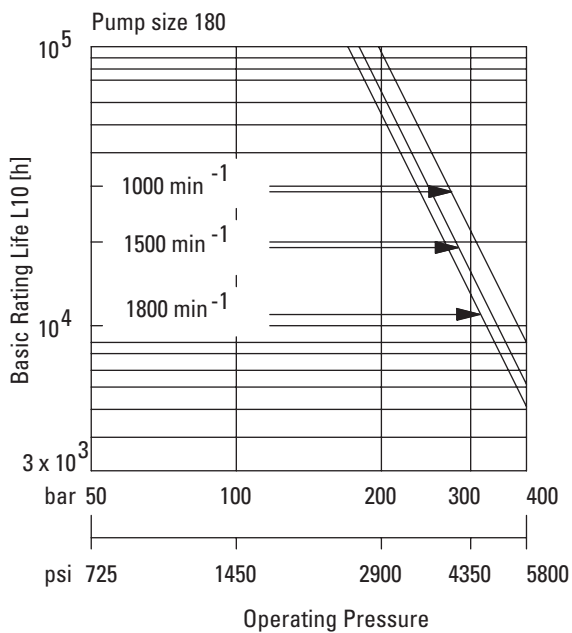
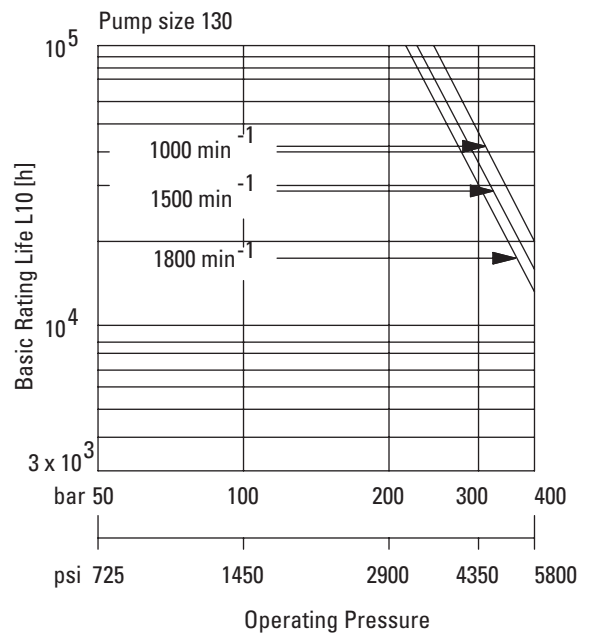
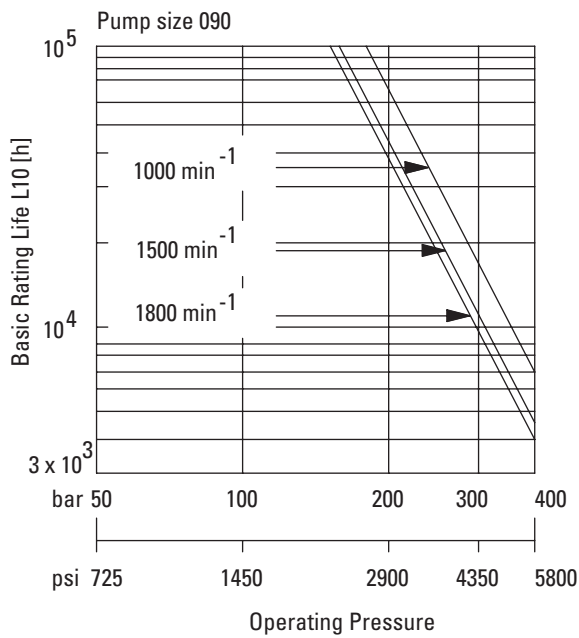
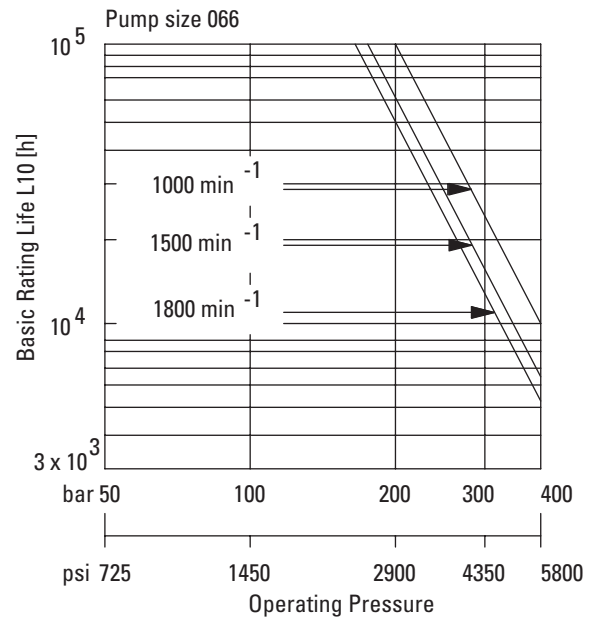


For Calculation: $P_{eff} = P_{th}/\eta_{tot}$

Performance Curves - Operating Data:

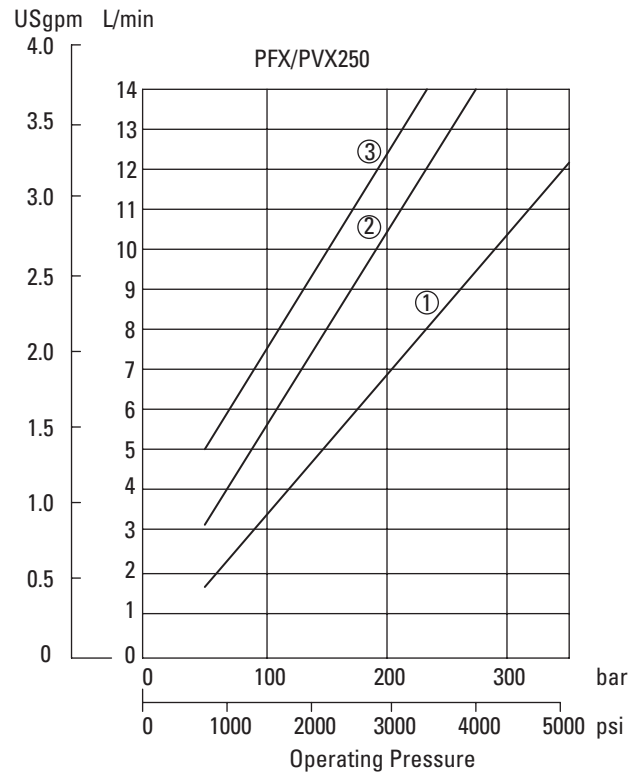
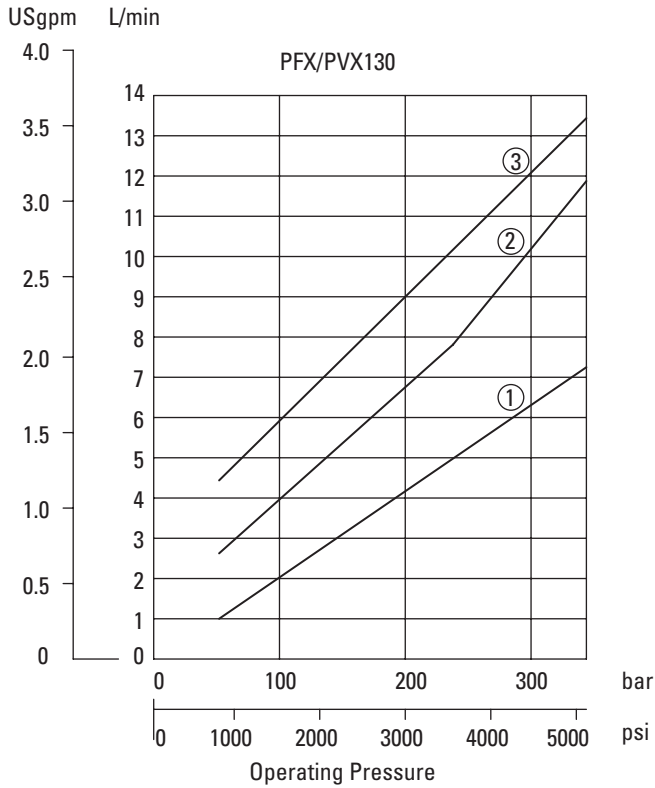
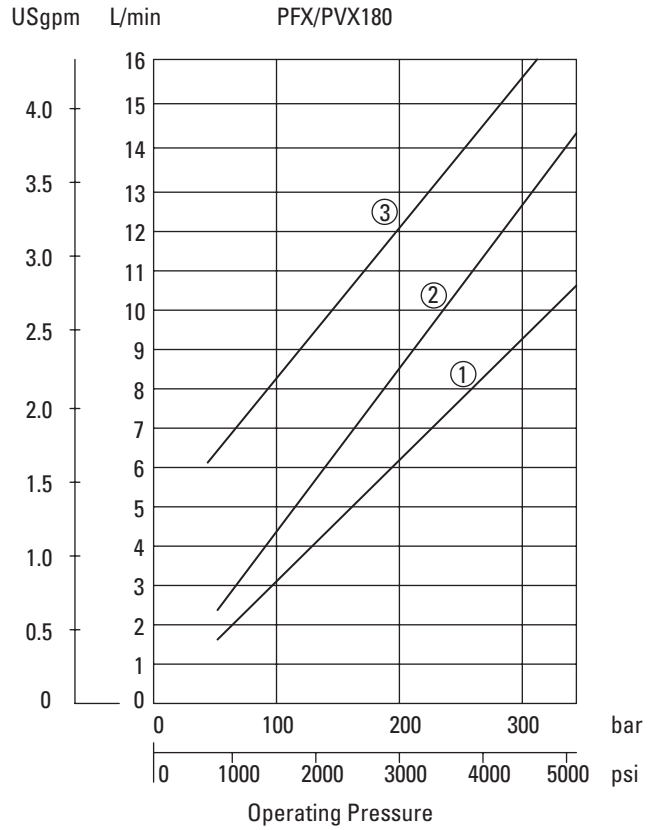
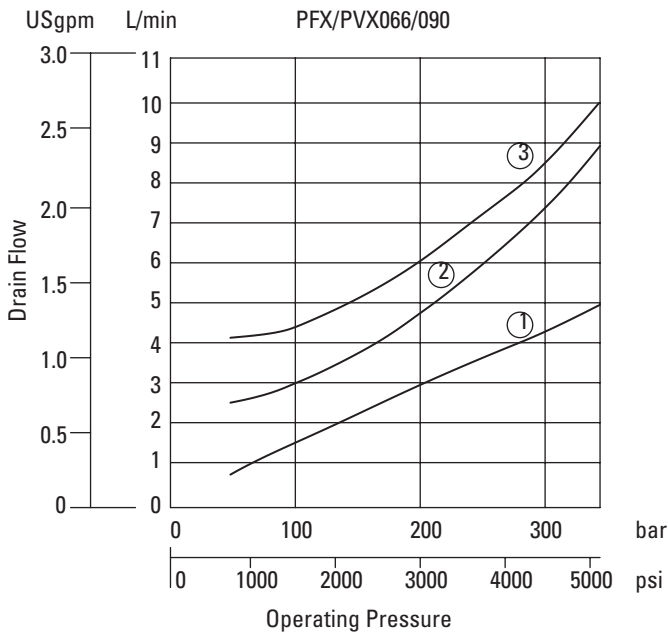
Theoretical Bearing Life Time
066, 090, 130,
180, 250 Series

At maximum displacement and various speeds.



Performance Curves - Operating Data:

Typical Drain Flow from an Open-Loop Pump Based on 1500 r/min and 35cSt



① PFX and PVX models at maximum displacement (PVX models with type FE, HG or ES controls i.e. no control oil flow)

② PVX in pressure cutoff mode (flow of pilot stage is discharged separately)

③ PVX in pressure cutoff mode (flow of pilot stage is discharged in case)

Controls - DF, LR Pressure Compensator/ Power Control

"X" Series - Open loop pump

Energy saving hydraulic drives are possible with pressure compensated and/or power controlled pumps, especially in combination with the load-sensing option.

DF The system pressure remains constant for the entire volume flow rate. System pressure can be set either manually, hydraulically or electronically. The standard Hydrokraft pressure compensator is pilot operated and very stable.

LR The p/Q characteristic curve is a hyperbola. For constant speed the drive torque, i.e. the power used, is held constant. The power hyperbola can be continuously adjusted between P_{min} and P_{max} . P_{min} is given by the minimum set value of control's main stage (app. 20 bar) and power loss of the pump.

Both controllers can be combined with another or with additional options, for possible

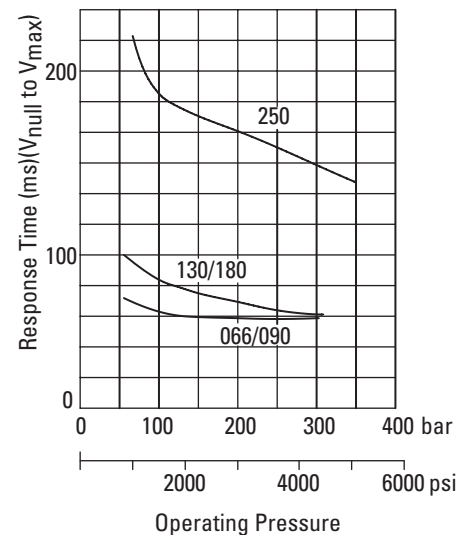
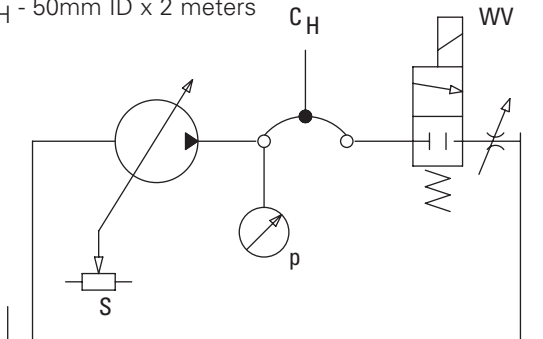
variations see the model coding and circuit diagrams. The maximum flow of the pump can be limited mechanically to between 50% and 100% by screw.

As an additional option the maximum (or minimum) flow can also be limited by a spacer inside the control cylinder (position number 13 in model coding, options 4, 5

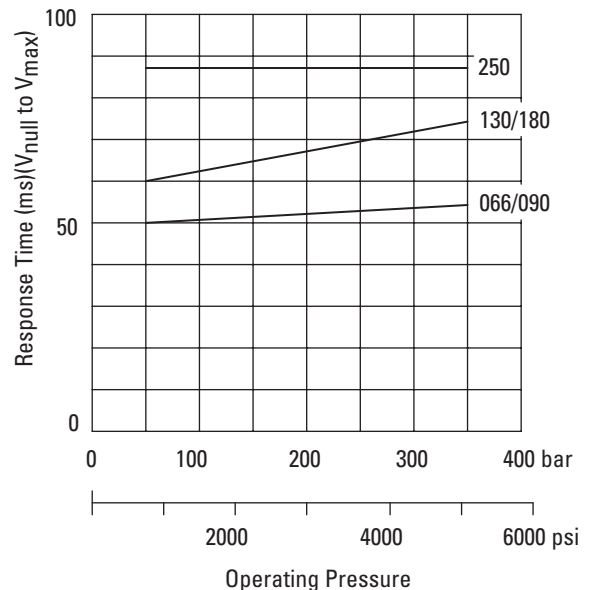
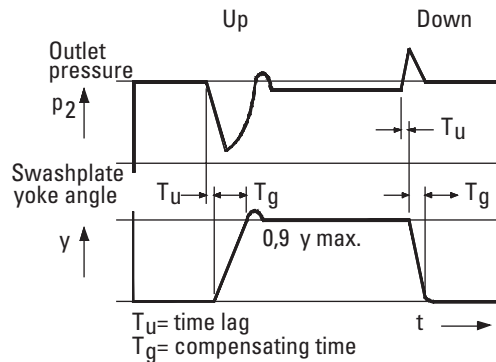
or 6 in combination with customer adjustment specifications position 40-43 for the set values). This solution is also recommended for very rough operating conditions and the need of a very exact repeatability over a long time period. The setting must be defined before ordering and cannot be modified during operation.

Typical controller action

(Closing/opening the directional control valve WV)
 $Q \rightarrow Q_{max}$ or $Q_{min} \rightarrow Q_{max}$
 C_H - 50mm ID x 2 meters



Pressure compensator response times

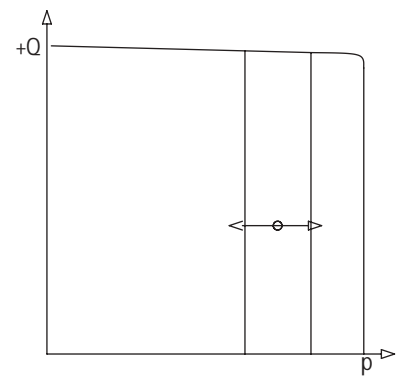
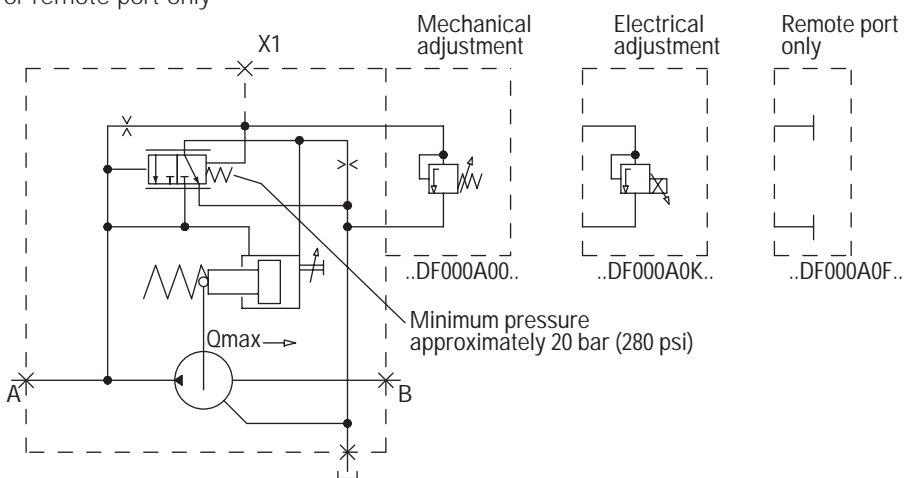


Controls - DF, LR Pressure Compensator/ Power Control

"X" Series - Open loop pump

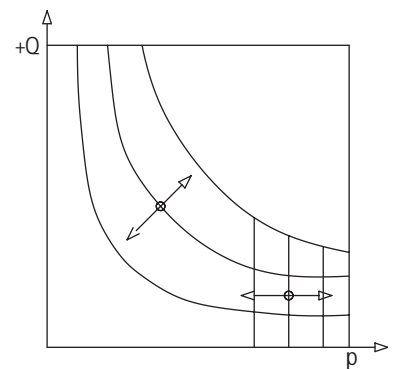
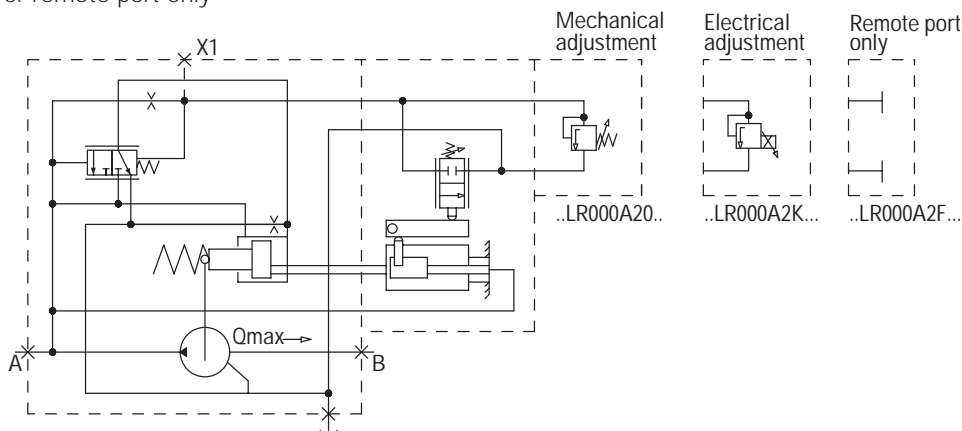
DF Pressure compensator DF000A ...

Control valve adjustable
mechanically, electrically
or remote port only



LR Power control with overriding pressure limiter LR000A2 ...

Pressure control pilot
valve adjustable
mechanically, electrically
or remote port only

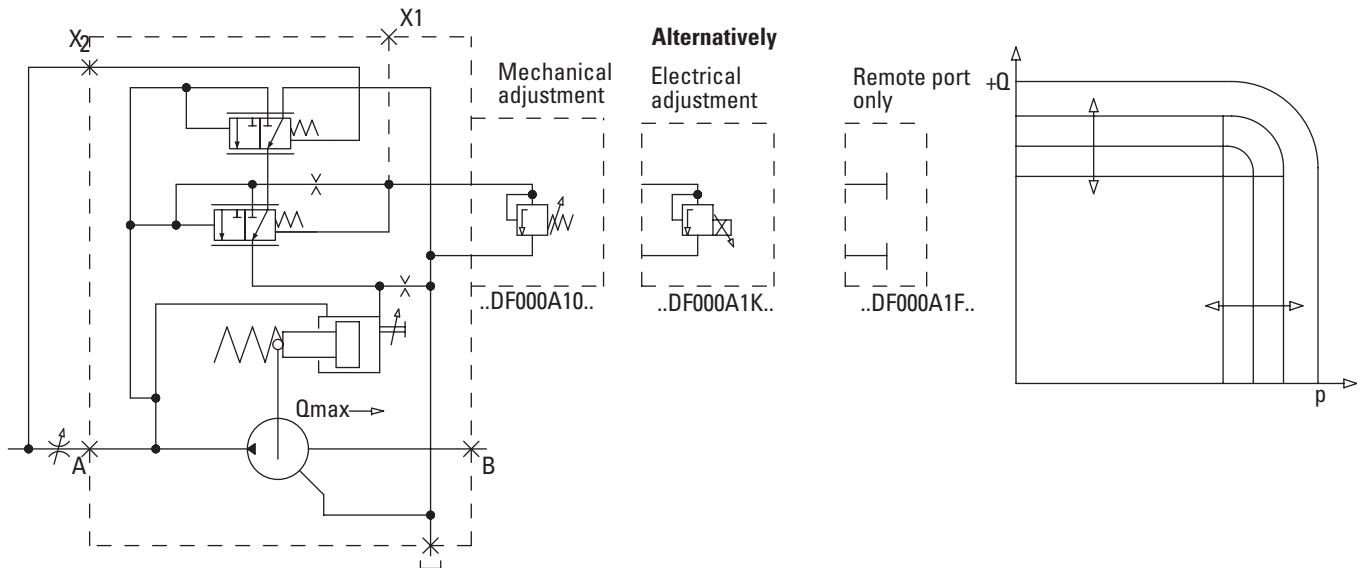


Controls - DF, LR Pressure Compensator/ Power Control

"X" Series - Open loop pump

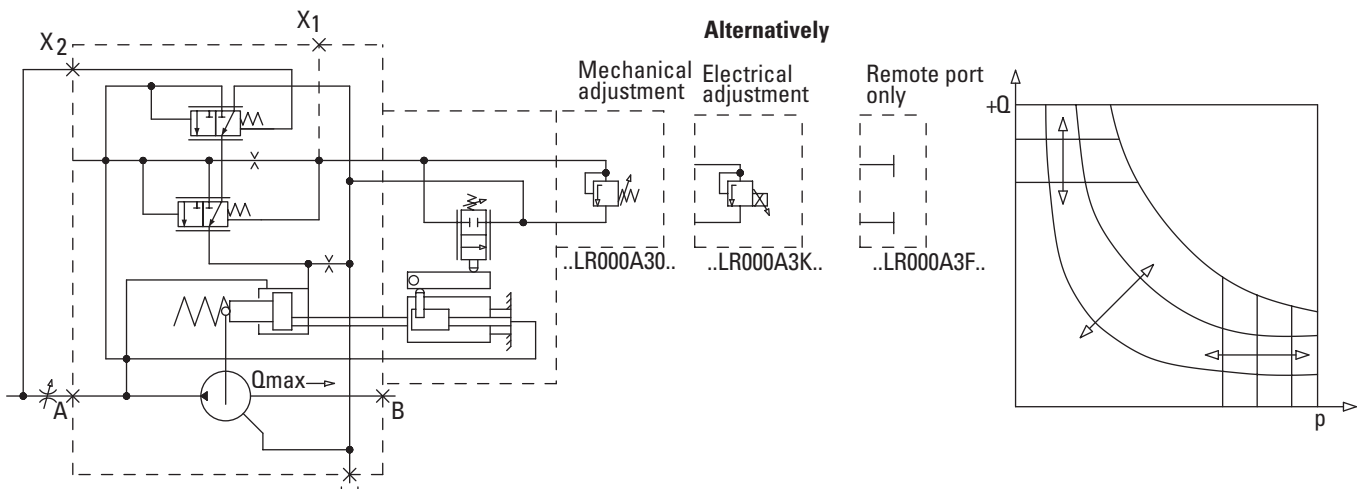
DF Pressure compensator with load sensing DF000A1 ...

Control valve adjustable mechanically, electrically or remote port only



LR Power control with load sensing and pressure limiter LR000A3 ...

Pressure control pilot valve adjustable mechanically, electrically or remote port only



Controls - DQ Mooring Control

"X" Series - Open loop pump

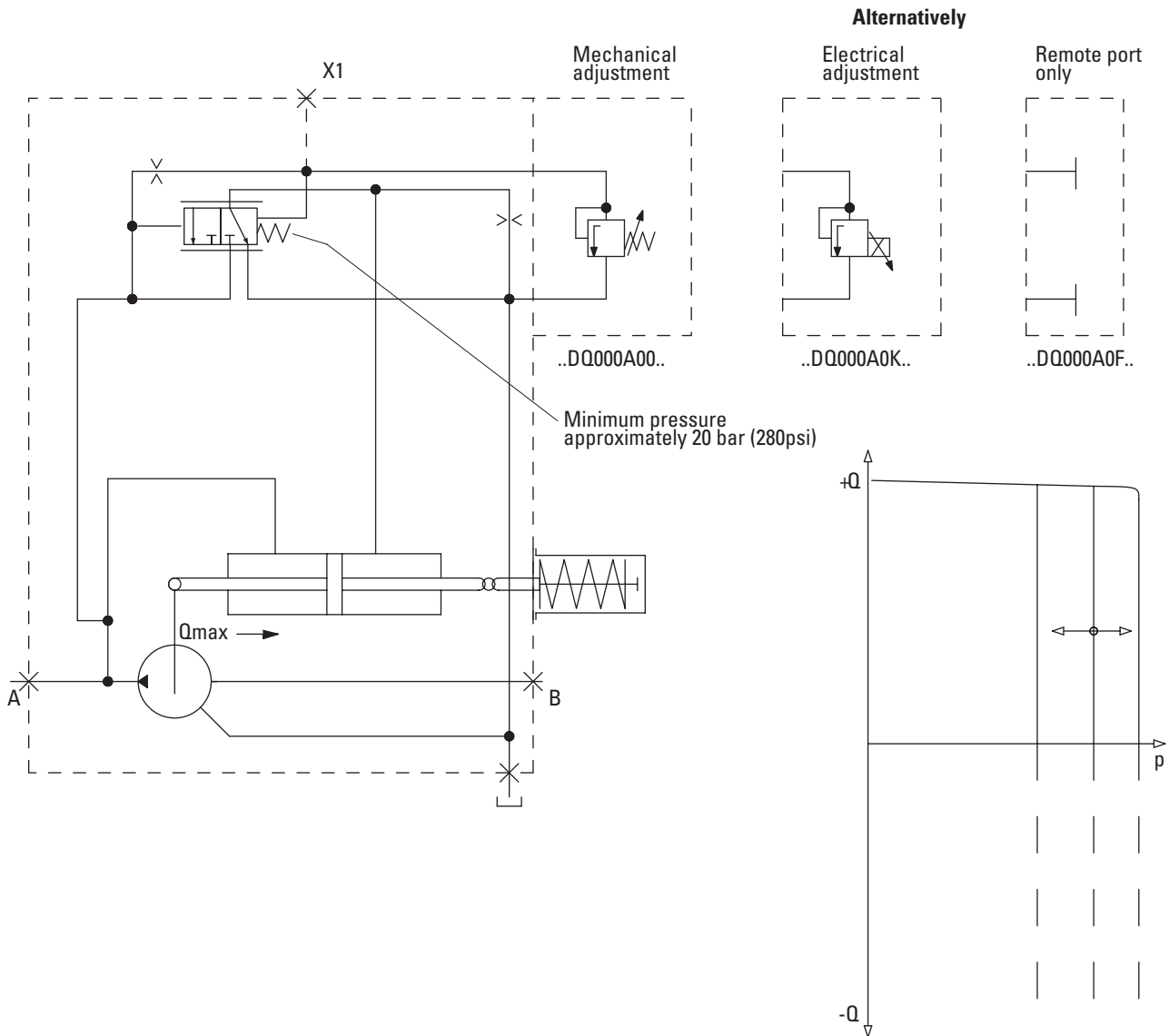
The DQ-control is a pressure control with overcenter operation (2 quadrants). It can be used eg. for counterbalanced systems or applications where reverse flow from the system can drive the pump in reverse (negative pump angle) such as a hydraulic motor.

The DQ-control is only available for sizes 66, (90 on request), 130 and 180 ccm/rev.

Like the standard Hydrokraft pressure compensator this control pilot operated and very stable. For performance data/response time please refer to the DF-control.

As an additional option the maximum (or minimum) flow can be limited by a spacer inside the control cylinder (position number. 13 in model coding, options 4, 5 or 6 in combination with customer adjustment specifications position 40-43 for the set values).

This solution is also recommended for very rough operating conditions and the need of a very exact repeatability over a long time period. The setting must be defined before ordering and cannot be modified during operation.



Controls - HG Manual Adjustment Displacement Control FE

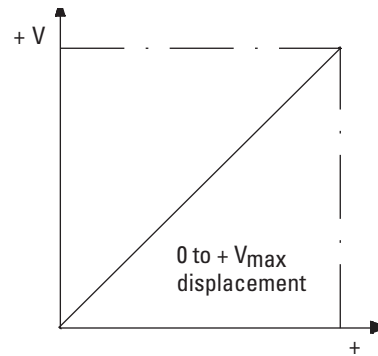
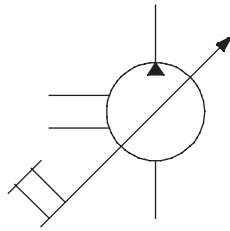
"X" Series - Open loop pump

FE The FE - control is a displacement control where the pump flow is adjusted by a screw.

HG The HG-control is a displacement control where the pump flow can be adjusted by a handwheel.

The maximum (and/or minimum) flow can be limited by a spacer inside the control cylinder (position number 13 in model coding, options 4, 5 or 6 in combination with

customer adjustment specifications position 40-43 for the set values). The setting must be defined before ordering and cannot be modified during operation.



Controls - Electric Motor Displacement Control ES

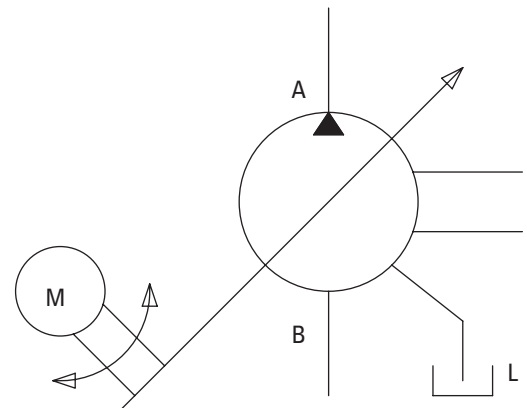
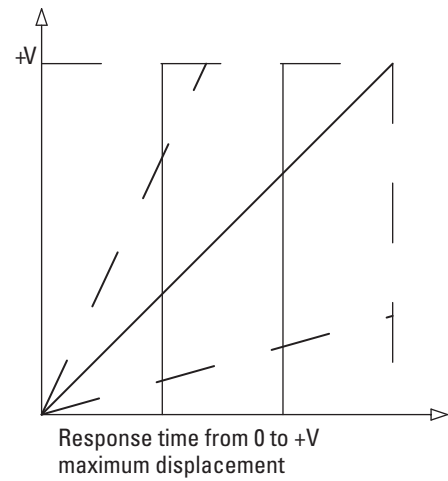
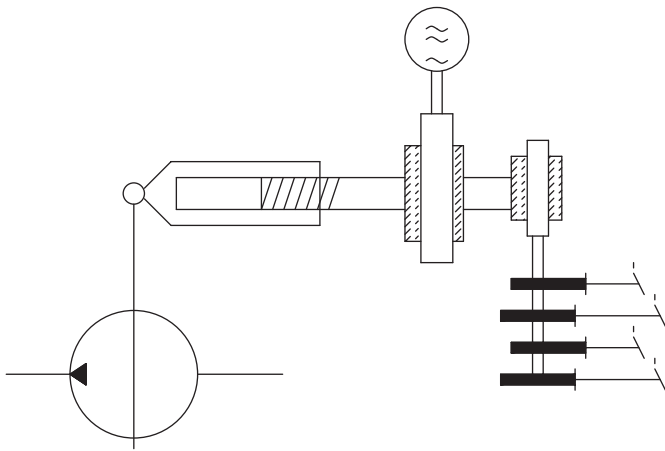
"X" Series - Open loop pump

The unit is used for stepless adjustment. It has a three phase electric servo motor, worm gearing and a switch box with 4 and 8 limit switches for different positions. A potentiometer is also available.

The response times from zero to maximum depends on the chosen ration and the speed of the servo motor (this means that during operation the response times are not variable.

No pressure/power limiter possible.

Explosion protection versions are also available.



PVX Response Times ES - Control

	THEORETICAL RESPONSE TIME (SEC) FOR MAX. DISPLACEMENT						CHARACTER IN MODEL CODE POS. 26
Size	066	090	130	180	250	250	
Freq. Hz	50	60	50	60	50	60	
Fast	7	6	18	15	15	13	M
Medium	24	20	35	29	30	25	N
Slow	38	32	54	45	48	40	P

Response time from 0 to +Q_{max}

Controls - Pressure Signal Displacement Control DP

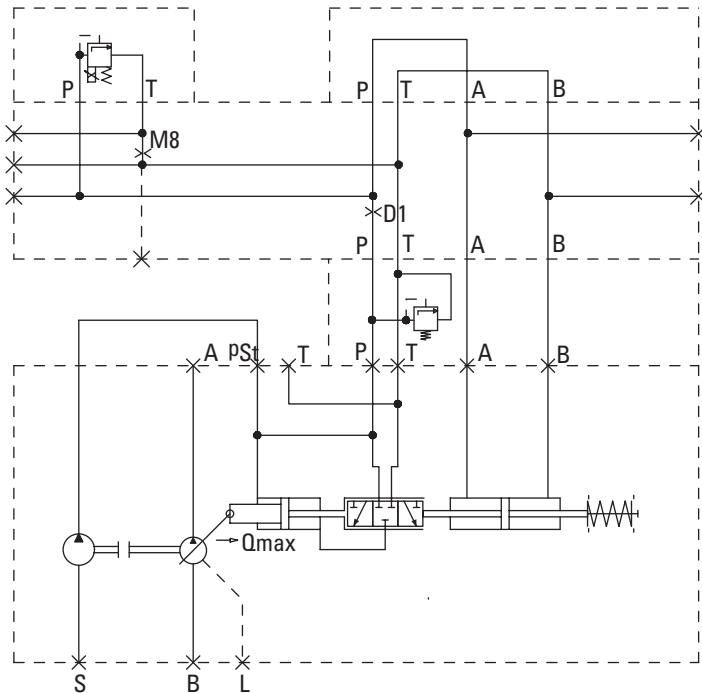
"X" Series - Open loop pump

The output flow of the pump is proportional to the pilot pressure
A separate pilot oil circuit is necessary. From this the control pressure is reduced to the desired set value by means of a suitable pressure control valve (with P-T line) and throttle in P-line 0.8 Ø (0.03 in).

The DP-control can be used for steepless flow control with standard requirements for dynamic and precision. No feedback signal is needed, an optical indicator recommended (position 22 in model coding, option "V"). A pilot oil filter can be mounted in line between pump and control (position 35 in model coding, option "V" or "E").

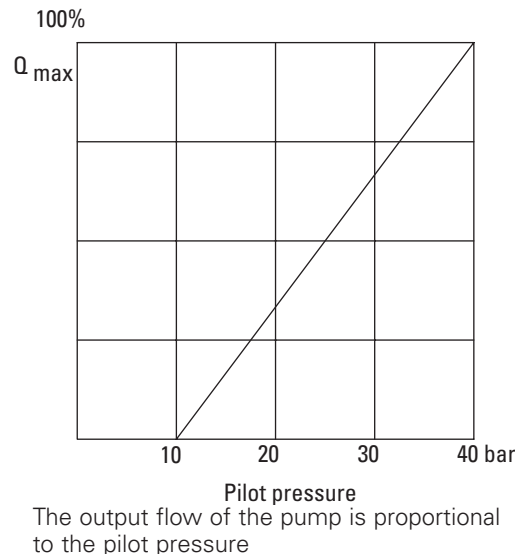
Pressure limiter or power limiter override not available (or such and other options please refer to PVW-Series). As an additional option the maximum (and/or minimum) flow can be limited by a spacer inside the control cylinder (position number 13 in model coding, options 4, 5 or 6 in combination with

customer adjustment specifications position 40-43 for the set values). This solution is also recommended for very rough operating conditions and the need of a very exact repeatability over a long time period. The setting must be defined before ordering and cannot be modified during operation.



PVX Response Times DP - Control

SIZE	RESPONSE TIME (SEC)	
	W/ 12 L/MIN PILOT OIL FLOW (STANDARD)	PILOT PRESSURE P _{ST} BAR
066/090	0.7	60
130/180	0.9	60
250	1.1	60



Controls - Proportional Valve Displacement Control SP

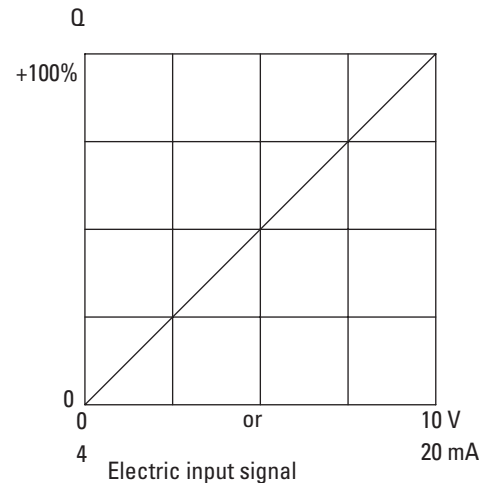
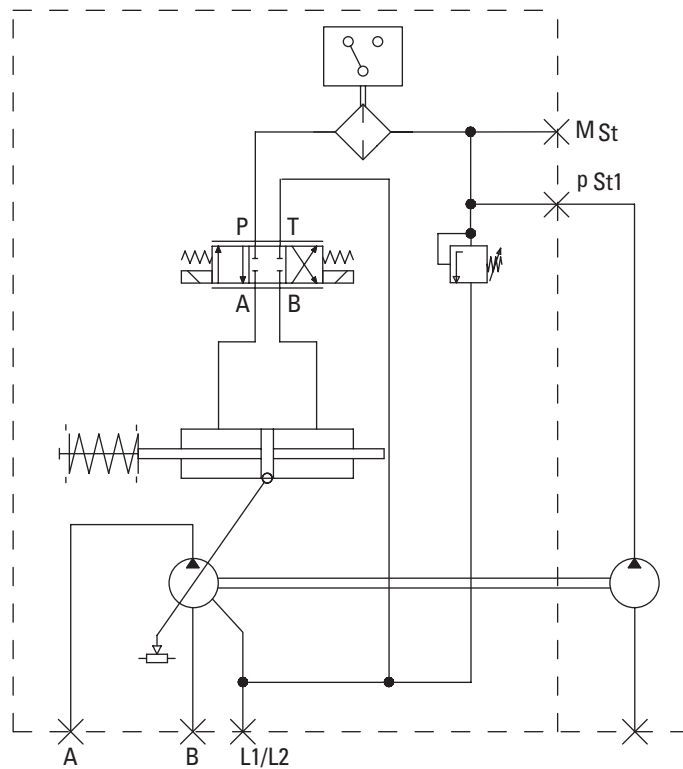
"X" Series - Open loop pump

The SP control operates a hydrostatic drive and works without throttle losses within electrically adjustable limits. This is done by controlling delivery flow with electrical swashplate angle feedback (electrally closed-loop control). All control values are recorded as an electrical signal and lead back to the control card.

The proportional valve and servo piston transform the output signal of the control card to the desired setting. This results in a very precise and dynamic control. Pressure limiter override available on request. Power limiter override not available (for such and other options please refer to PVW series).

As an additional option the maximum (and/or minimum) flow can be limited by a spacer inside the control cylinder (position coding, options 4, 5 or 6 in combination with customer adjustment specifications position 40-43 for the set values).

This solution is also recommended for very rough operating conditions and the need of a very exact repeatability over a long time period. The setting must be defined before ordering and cannot be modified during operation.



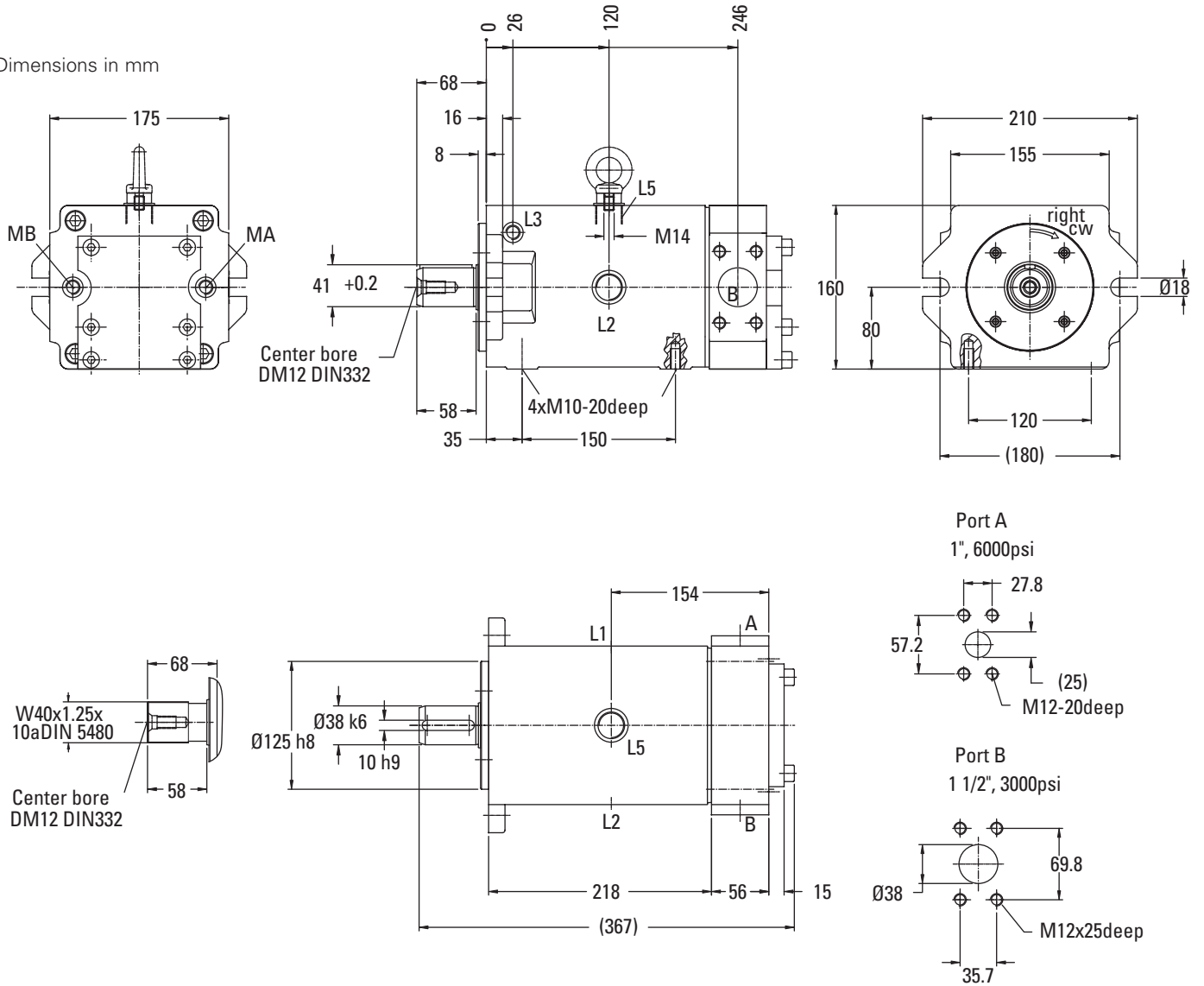
PVX RESPONSE TIMES SP - CONTROL

PROPORTIONAL VALVE	PILOT OIL FLOW	PILOT OIL PRESSURE P_{St}	CONTROL ELECTRONICS (Amp. Card)	RESPONSE TIME	UNIT SIZE	SERVO PISTON		
	L/min (Usgpm)			$0 < > V_{max}$ [ms]		Diameter mm (in)	Stroke mm (in)	Volume cm^3 (in^3)
Medium Response		60 (857)		250	066 / 090	40/30 (1.57/1.18)	28 (1.10)	15,4 (0.939)
KDG4V3-2C20NMUH760 (CETOP 3)	12 (3.17)	60 (857)	ER 9.3-10	350	130 / 180	55/38 (2.16/1.49)	35 (1.37)	43,5 (2.654)
High Response (CETOP 5)		60 (857)		550	250	70/50 (2.76/1.97)	43,5 (1.71)	81 (4.942)
					ON REQUEST			

The ER9.3-10 and ER 9.4-10 (for High Response) digital Amplifier cards are optimized for use with the SP-Control. Please ask for separate Documentation. Software is available for parameter setting and storing (database function). Contact Eaton to request free of charge manual - and software CD.

Pump Dimensions - PFXS 066

Dimensions in mm



- A System pressure port SAE 1", 415 bar (6000 psi)
- B System pressure port SAE 1 1/2", 207 bar (3000 psi)
- (L1) Drain port 7/8" – 14 UNF
- (L2) Ventilation port for vertical mounting M26x1.5
- (L3) Ventilation port for vertical mounting G1/4" (shaft upwards)
- (L5) Oil filling plug M26x1.5
- (MA) Gauge port system pressure G1/4"
- (MB) Gauge port system pressure G1/4"
- (...) Normally plugged

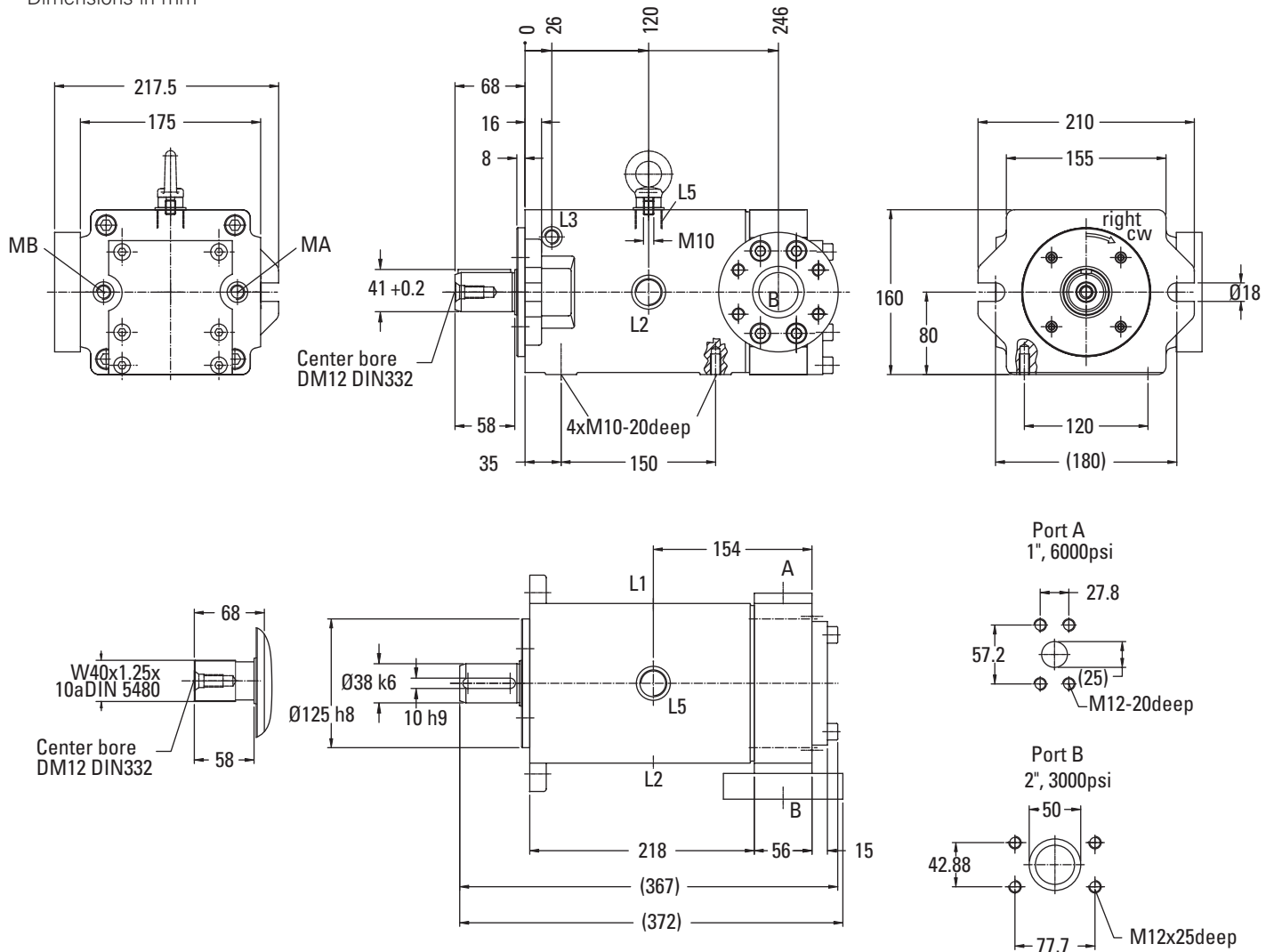
Non-Standard Displacements:

Standard Displacement66 ccm/rev
 Reduced Displacement Available55 or 44 ccm/rev

DIRECTION OF ROTATION	INPUT	OUTPUT
Right Hand Rotation	B	A
Left Hand Rotation	A	B

Pump Dimensions - PFXS 090

Dimensions in mm



- A System pressure port SAE 1", 415 bar (6000 psi)
- B System pressure port SAE 2", 207 bar (3000 psi)
- (L1) Drain port 7/8" – 14 UNF
- (L2) Ventilation port for vertical mounting M26x1.5
- (L3) Ventilation port for vertical mounting G1/4" (shaft upwards)
- (L5) Oil filling plug M26x1.5
- (MA) Gauge port system pressure G1/4"
- (MB) Gauge port system pressure G1/4"
- (...) Normally plugged

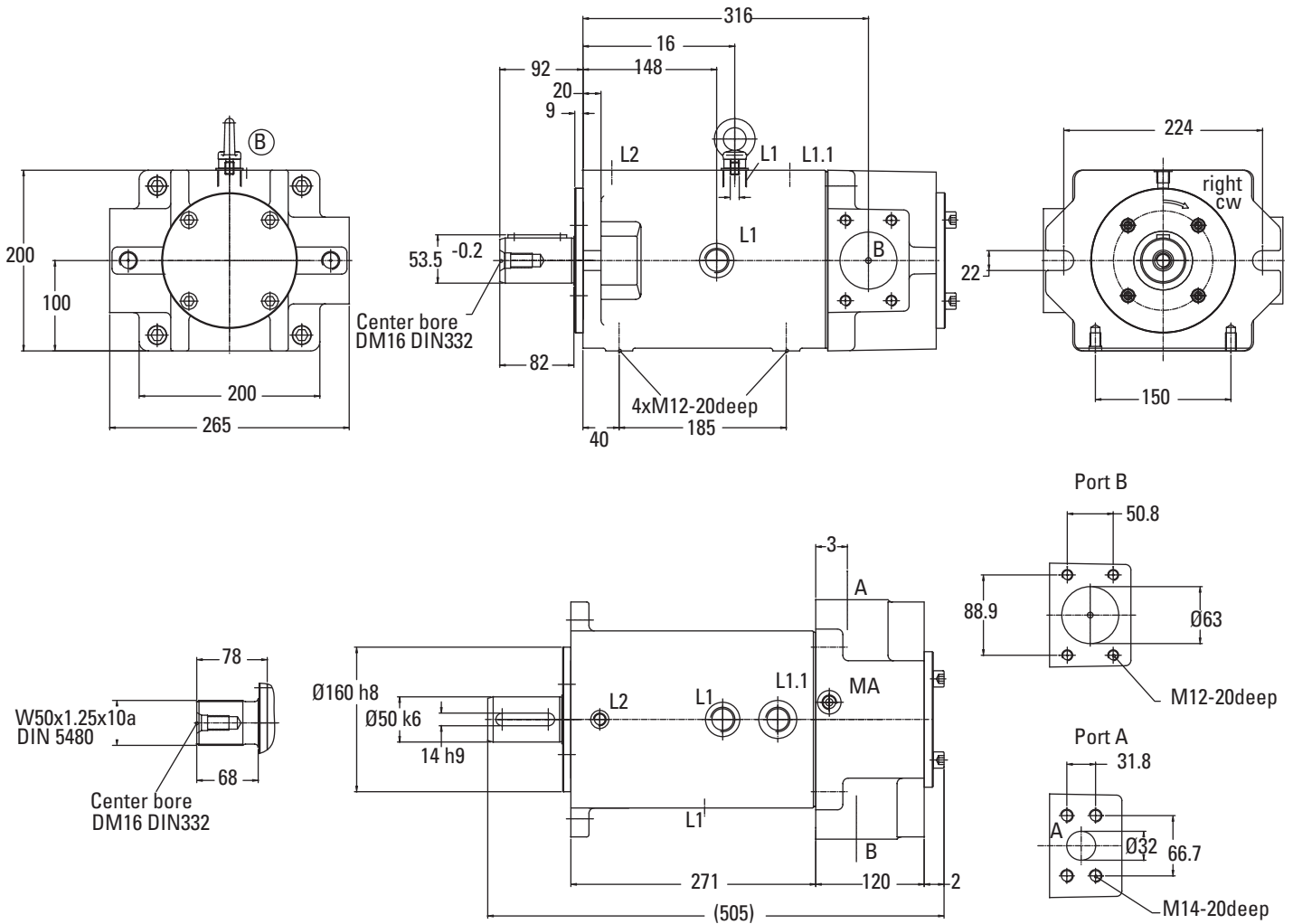
Non-Standard Displacements:

Standard Displacement90 ccm/rev
Reduced Displacement Available75 ccm/rev

DIRECTION OF ROTATION	INPUT	OUTPUT
Right Hand Rotation	B	A
Left Hand Rotation	A	B

Pump Dimensions - PFXS 180

Dimensions in mm



- A System pressure port SAE 1 1/4", 415 bar (6000 psi)
- B System pressure port SAE 2 1/2", 207 bar (3000 psi)
- (L1) Drain port M26x1.5
- (L1.1) Oil filling plug 1 1/16"-12UNF
- (L2) Ventilation port for vertical mounting G1/4"
- (MA) Gauge port system pressure G1/4"
- (...) Normally plugged

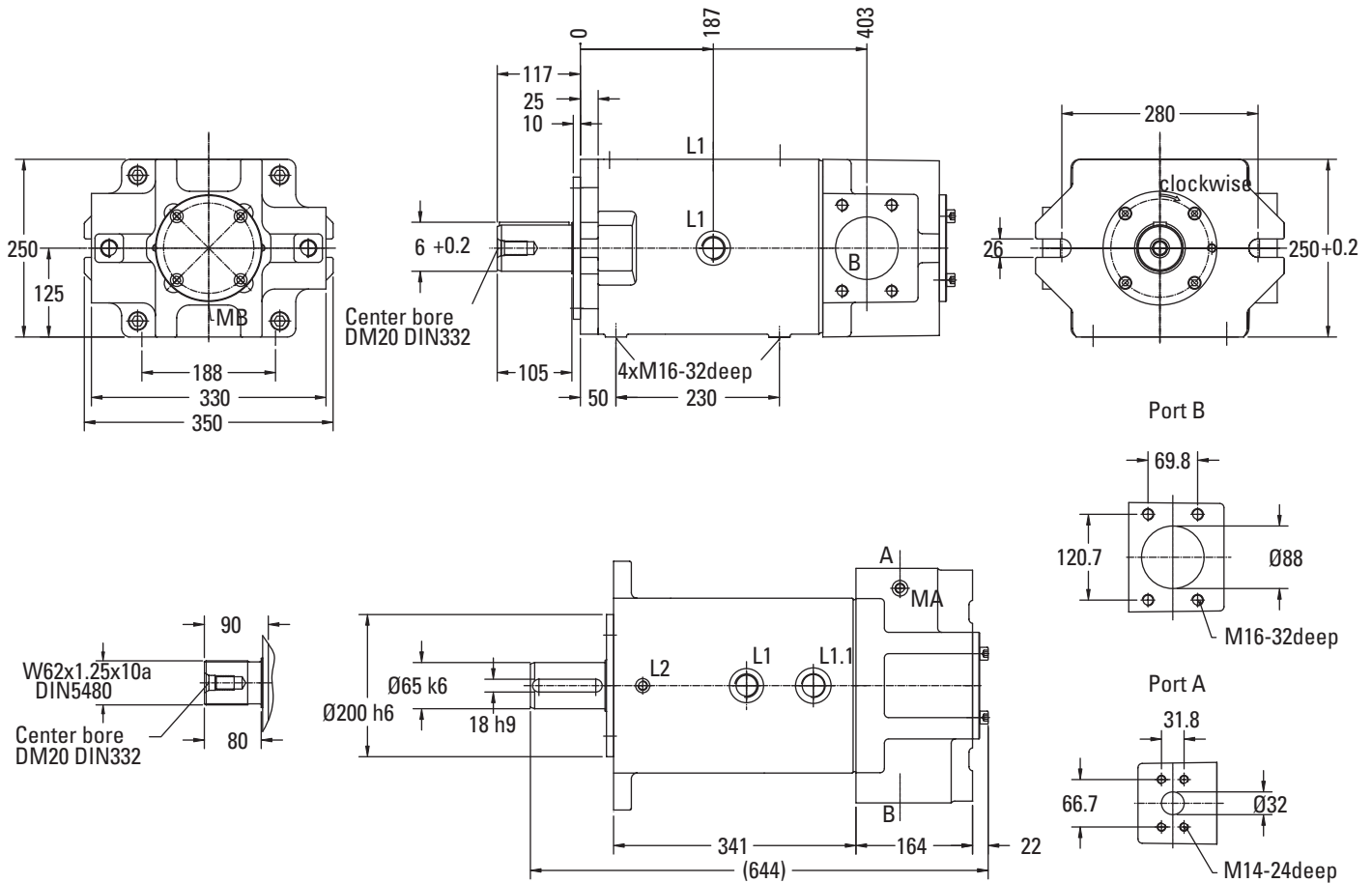
Non-Standard Displacements:

Standard Displacement Size 180 180 ccm/rev
 Reduced Displacement Available Size 180..... 160 ccm/rev

DIRECTION OF ROTATION	INPUT	OUTPUT
Right Hand Rotation	B	A
Left Hand Rotation	A	B

Pump Dimensions - PFXS 250

Dimensions in mm



- A System pressure port SAE 1 1/4", 415 bar (6000 psi)
- B System pressure port SAE 3 1/2", 35 bar (500 psi)
- (L1) Drain port M26x1.5
- (L1.1) Oil filling plug 1 5/16"-12UN
- (L2) Ventilation port for vertical mounting G1/4"
- (MA) Gauge port system pressure G1/4"
- (...) normally plugged

Non-Standard Displacements:

Standard Displacement250 ccm/rev

Reduced Displacement Available.....222, 208 or 194 ccm/rev

DIRECTION OF ROTATION	INPUT	OUTPUT
Right Hand Rotation	B	A
Left Hand Rotation	A	B

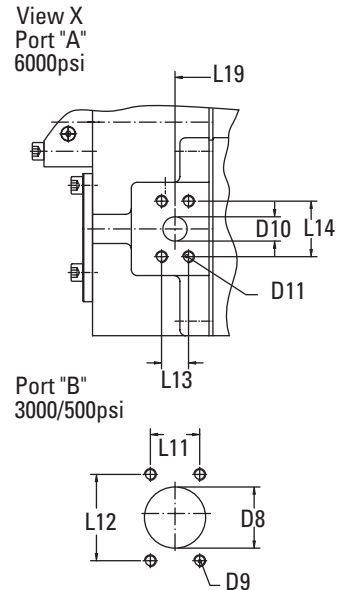
Pump Dimensions - PVXS 066 - 250 DF, Two Stage Pilot Valve

Side ports - Pressure compensator DF000A ...

1. Pilot valve (2nd Stage)
2. Pressure compensator (1st stage)

Dimensions in mm

- X1 G1/4"x12,5-deep; option for an additional pilot valve and/or discharge valve of the pressure compensator
- L1 Two drain ports, one supplied plugged
- L2 M18x1, 5x12-deep supplementary drain, or bleed plug. Must be drained in addition to if the pump is installed with the shaft input end pointing upwards.
- MA G1/4"x12.5-deep gauge port supplied plugged



DIRECTION OF ROTATION	CONTROL	INPUT	OUTPUT
Right Hand Rotation	To + Vmax	B	A
	To - Vmax	A	B
Left Hand Rotation	To + Vmax	A	B
	To - Vmax	B	A

SIZE	SAE-FLANGE "B" 3000(500)PSI, INLET	SAE-FLANGE "A" 6000PSI, OUTLET	WEIGHT KG
066	1 1/2"	1"	55
090	2"	1"	57
130	2 1/2"	1"	111
180	2 1/2"	1 1/4"	113
250	3 1/2"	1 1/4"	226

SIZE	B1	B2	B3	B4	B5	B6	B7 h9	B8	B9	B10	B11	B12
066	210	116	160	235	130	180	10	116	58	185	218	—
090	210	116	160	235	130	180	10	116	58	185	218	157.5
130	260	140	200	265	224	224	14	140	70	185	218	—
180	260	140	200	265	224	224	14	140	70	185	218	—
250	325	175	250	330	280	280	18	175	87.5	185	218	—

SIZE	D1 h8	D2 k6	D3	D4	D5	D6 Light Execution	D7 DEEP	D8	D9 DEEP	D10	D11 DEEP	D12	D13 SAE 475
066	125	38	M12	18	M8	M22x1.5	M10 24	38	M12 24	25	M12 21	—	7/8-14UNF
090	125	38	M12	18	M8	M22x1.5	M10 20	50	M12 24	25	M12 21	—	7/8-14UNF
130	160	50	M16	22	M10	M26x1.5	M12 20	62	M12 20	25	M12 20	M20	1 1/16-12UNF
180	160	50	M16	22	M10	M26x1.5	M12 20	62	M12 20	32	M14 20	M20	1 1/16-12UNF
250	200	65	M20	26	M12	M33x2	M16 32	90	M16 32	32	M14 24	M24	1 5/16-12UNF

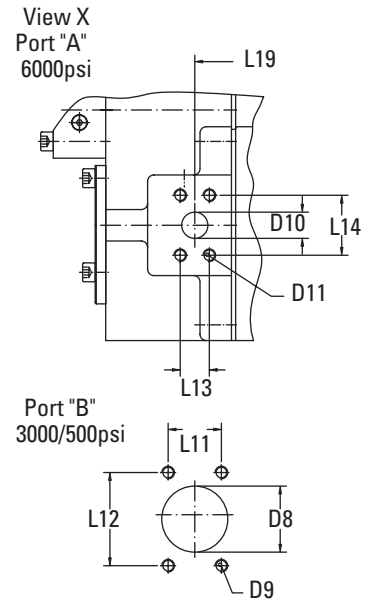
Pump Dimensions - PVXS 066 - 250 DF, with Load Sensing Valve

Side ports - Pressure compensator with Load Sensing DF000A1 ...

1. Pilot valve (2nd Stage)
2. Pressure compensator (1st stage)
3. Flow valve

Dimensions in mm

- X1 G1/4"x12,5-deep; option for an additional pilot valve and/or discharge valve of the pressure compensator
- X2 G1/4"x12,5-deep; load sensing pilot port
- L1 Two drain ports, one supplied plugged
- L2 M18x1, 5x12-deep supplementary drain, or bleed plug. Must be drained in addition to if the pump is installed with the shaft input end pointing upwards.
- MA G1/4"x12.5-deep gauge port supplied plugged

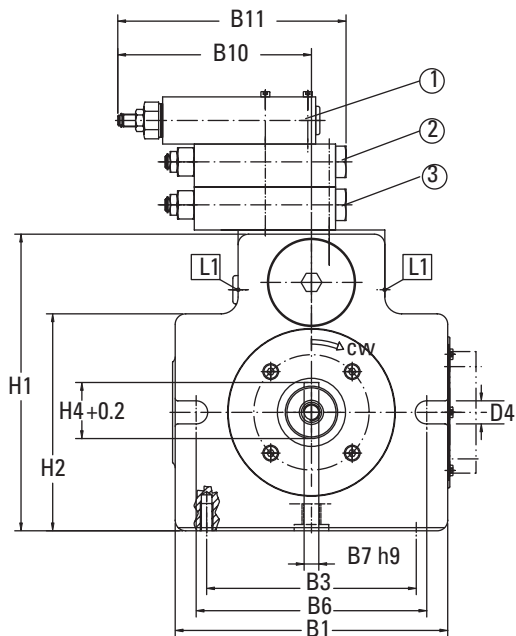
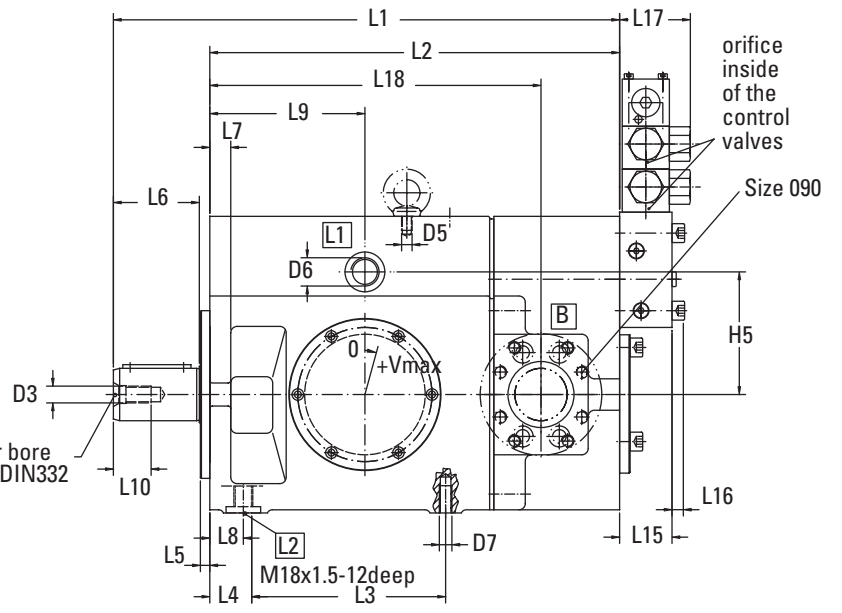
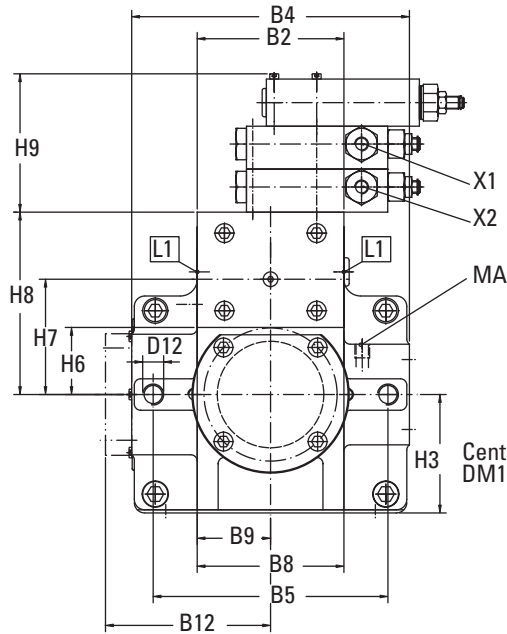


DIRECTION OF ROTATION	CONTROL	INPUT	OUTPUT
Right Hand Rotation	To + Vmax	B	A
	To - Vmax	A	B
Left Hand Rotation	To + Vmax	A	B
	To - Vmax	B	A

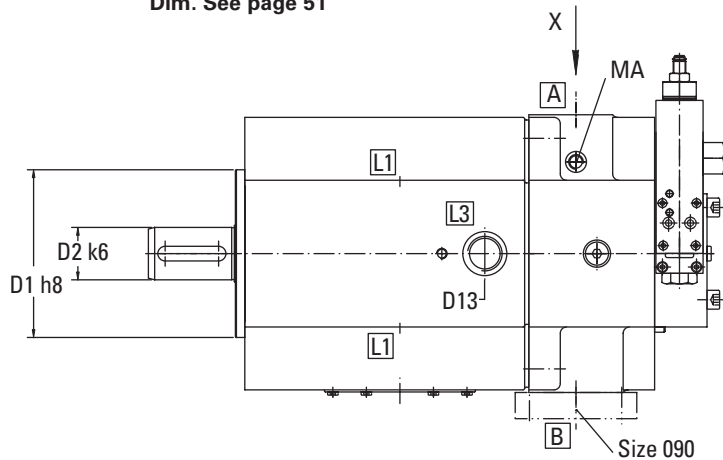
SIZE	SAE-FLANGE "B" 3000(500)PSI, INLET	SAE-FLANGE "A" 6000PSI, OUTLET	WEIGHT KG
066	1 1/2"	1"	55
090	2"	1"	57
130	2 1/2"	1"	111
180	2 1/2"	1 1/4"	113
250	3 1/2"	1 1/4"	226

SIZE	B1	B2	B3	B4	B5	B6	B7 h9	B8	B9	B10	B11	B12
066	210	116	160	235	130	180	10	116	58	185	218	—
090	210	116	160	235	130	180	10	116	58	185	218	157.5
130	260	140	200	265	224	224	14	140	70	185	218	—
180	260	140	200	265	224	224	14	140	70	185	218	—
250	325	175	250	330	280	280	18	175	87.5	185	218	—

SIZE	D1 h8	D2 h6	D3	D4	D5	D6 Light Execution	D7 DEEP	D8	D9 DEEP	D10	D11 DEEP	D12	D13 SAE 475
066	125	38	M12	18	M8	M22x1.5	M10 24	38	M12 24	25	M12 21	—	7/8-14UNF
090	125	38	M12	18	M8	M22x1.5	M10 20	50	M12 24	25	M12 21	—	7/8-14UNF
130	160	50	M16	22	M10	M26x1.5	M12 20	62	M12 20	25	M12 20	M20	1 1/16-12UNF
180	160	50	M16	22	M10	M26x1.5	M12 20	62	M12 20	32	M14 20	M20	1 1/16-12UNF
250	200	65	M20	26	M12	M33x2	M16 32	90	M16 32	32	M14 24	M24	1 5/16-12UNF



Splined shaft
Dim. See page 51



SIZE	H1	H2	H3	H4 +0.2	H5	H6	H7	H8	H9
066	227	162	90	41	93	53	88	139	132
090	227	162	90	41	93	53	88	139	132
130	283	207	113	53.5	117	64	110	174	132
180	283	207	113	53.5	117	64	110	174	132
250	354	260	140	69	146	77	138	217	132

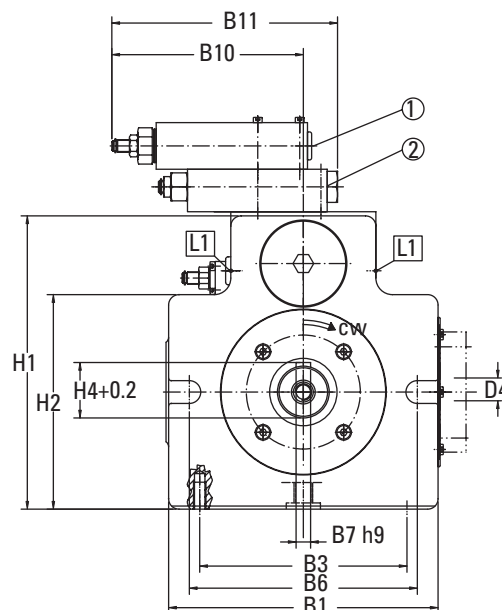
SIZE	L1	L2	L3	L4	L5	L6	L7	L8	L9	L10	L11	L12	L13	L14	L15	L16	L17	L18	L19
066	342	274	150	35	8	58	16	26	120	28	35.7	69.8	27.8	57.2	50	10	67.5	245.6	245.6
090	342	274	150	35	8	58	16	26	120	28	42.88	77.77	27.8	57.2	50	10	67.5	245.6	245.6
130	483	391	185	40	9	82	20	32	148	36	50.8	89	27.8	57.2	50	12	67.5	316	306
180	483	391	185	40	9	82	20	32	148	36	50.8	89	31.8	66.7	50	12	67.5	316	306
250	622	505	230	50	10	105	25	41	187	42	69.8	120.7	31.8	66.7	56	—	70.5	403	403

Pump Dimensions - PVXS 066 - 250 LR, with Pressure Limiter

Side ports - Power Control LR (with pressure limiter) LR000A2 ...

1. Pilot valve (2nd Stage)
2. Pressure compensator (1st stage)
3. Constant power control

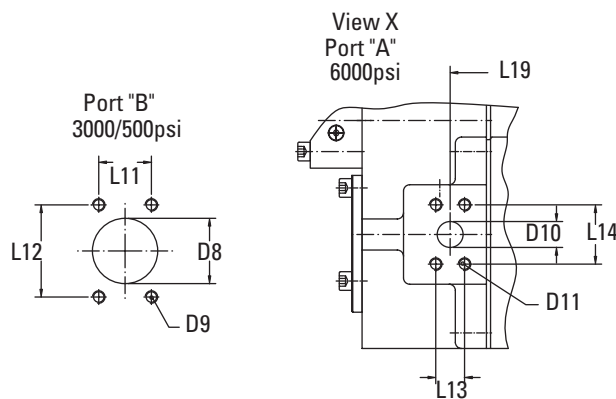
Dimensions in mm



- [X1] G1/4"x12,5-deep; option for an additional pilot valve and/or discharge valve of the pressure compensator
- [L1] Two drain ports, one supplied plugged
- [L2] M18x1, 5x12-deep supplementary drain, or bleed plug. Must be drained in addition to if the pump is installed with the shaft input end pointing upwards.
- [MA] G1/4"x12.5-deep gauge port supplied plugged

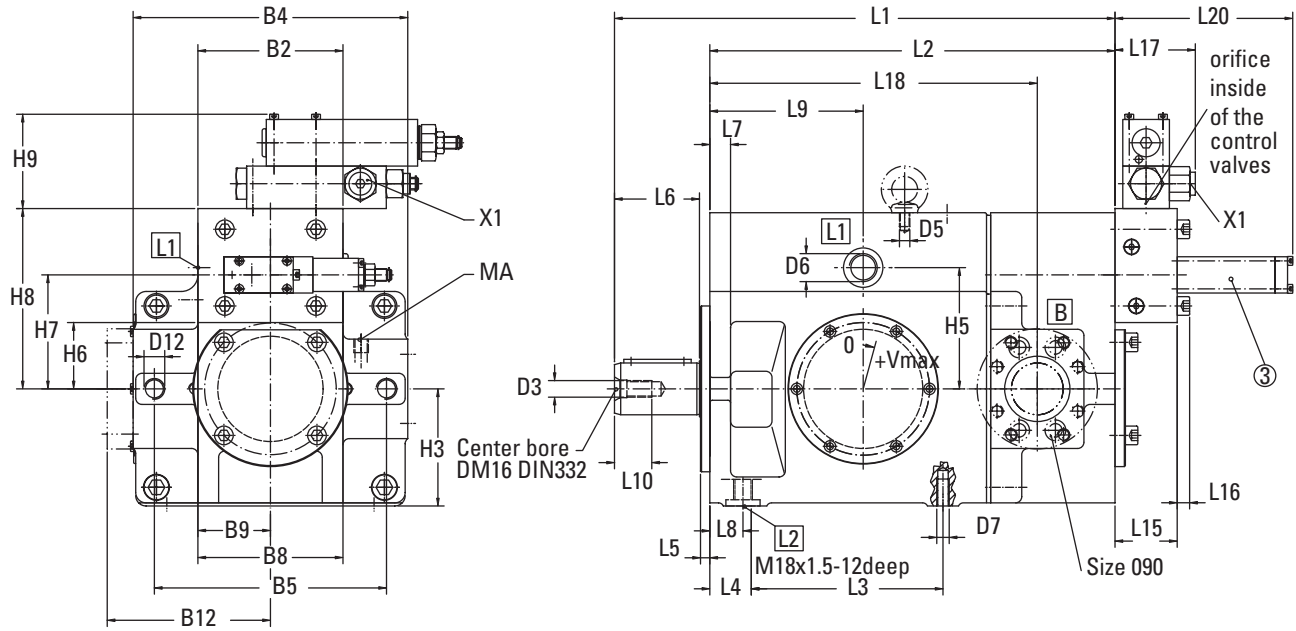
DIRECTION OF ROTATION	CONTROL	INPUT	OUTPUT
Right Hand Rotation	To + Vmax	B	A
	To - Vmax	A	B
Left Hand Rotation	To + Vmax	A	B
	To - Vmax	B	A

SIZE	SAE-FLANGE "B" 3000(500)PSI, INLET	SAE-FLANGE "A" 6000PSI, OUTLET	WEIGHT KG
066	1 1/2"	1"	55
090	2"	1"	57
130	2 1/2"	1"	111
180	2 1/2"	1 1/4"	113
250	3 1/2"	1 1/4"	226

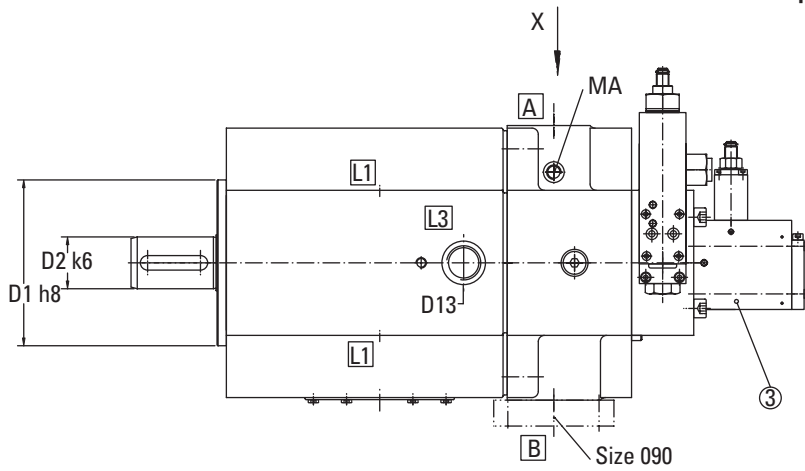


SIZE	B1	B2	B3	B4	B5	B6	B7 h9	B8	B9	B10	B11	B12
066	210	116	160	235	130	180	10	116	58	185	218	—
090	210	116	160	235	130	180	10	116	58	185	218	157.5
130	260	140	200	265	224	224	14	140	70	185	218	—
180	260	140	200	265	224	224	14	140	70	185	218	—
250	325	175	250	330	280	280	18	175	87.5	185	218	—

SIZE	D1 h8	D2 k6	D3	D4	D5	D6 Light Execution	D7 DEEP	D8	D9 DEEP	D10	D11 DEEP	D12	D13 SAE 475
066	125	38	M12	18	M8	M22x1.5	M10 24	38	M12 24	25	M12 21	—	7/8-14UNF
090	125	38	M12	18	M8	M22x1.5	M10 20	50	M12 24	25	M12 21	—	7/8-14UNF
130	160	50	M16	22	M10	M26x1.5	M12 20	62	M12 20	25	M12 20	M20	1 1/16-12UNF
180	160	50	M16	22	M10	M26x1.5	M12 20	62	M12 20	32	M14 20	M20	1 1/16-12UNF
250	200	65	M20	26	M12	M33x2	M16 32	90	M16 32	32	M14 24	M24	1 5/16-12UNF



Splined shaft
 Dim. See page 51



SIZE	H1	H2	H3	H4 +0.2	H5	H6	H7	H8	H9
066	227	162	90	41	93	53	88	139	91
090	227	162	90	41	93	53	88	139	91
130	283	207	113	53.5	117	64	110	174	91
180	283	207	113	53.5	117	64	110	174	91
250	354	260	140	69	146	77	138	217	91

SIZE	L1	L2	L3	L4	L5	L6	L7	L8	L9	L10	L11	L12	L13	L14	L15	L16	L17	L18	L19	L20
066	342	274	150	35	8	58	16	26	120	28	35.7	69.8	27.8	57.2	50	10	72.5	245.6	245.6	161
090	342	274	150	35	8	58	16	26	120	28	42.88	77.77	27.8	57.2	50	10	72.5	245.6	245.6	161
130	483	391	185	40	9	82	20	32	148	36	50.8	89	27.8	57.2	60	12	72.5	316	306	171
180	483	391	185	40	9	82	20	32	148	36	50.8	89	31.8	66.7	60	12	72.5	316	306	171
250	622	505	230	50	10	105	25	41	187	42	69.8	120.7	31.8	66.7	112	—	75.5	403	403	199.5

Pump Dimensions - PVXS 066 - 250 ES

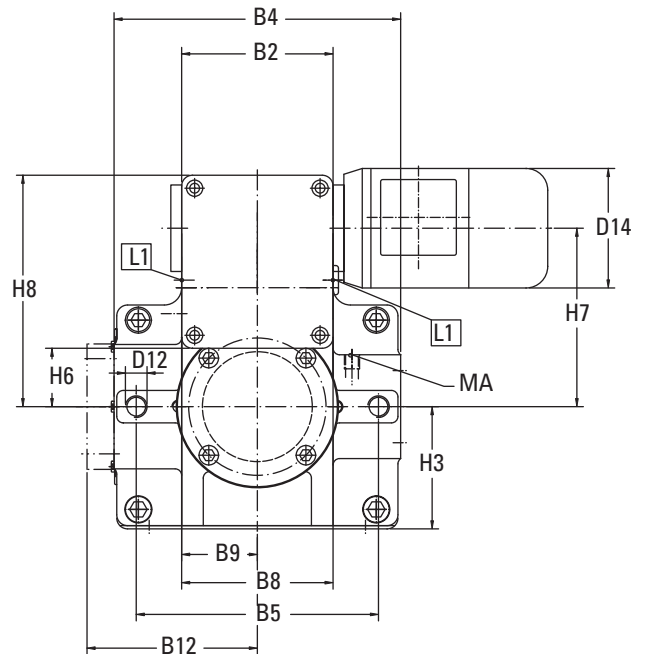
Side ports -
Electric Motor
Displacement Control
ES*00A ...

Dimensions in mm

- L1 Two drain ports, one supplied plugged
- L2 M18x1, 5x12-deep supplementary drain, or bleed plug. Must be drained in addition to if the pump is installed with the shaft input end pointing upwards.
- MA G1/4"x12.5-deep gauge port supplied plugged

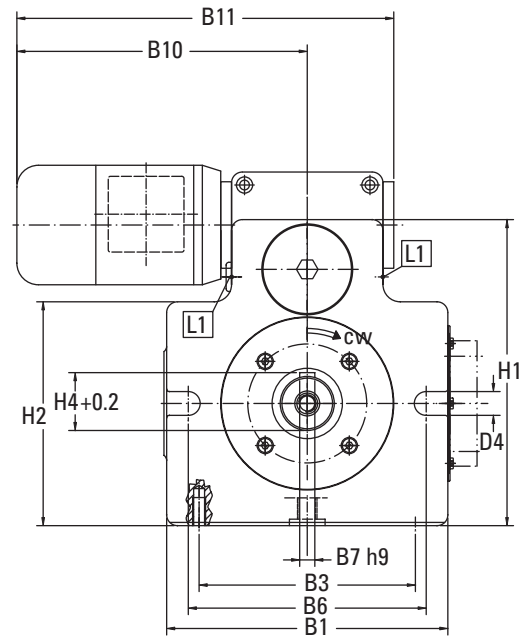
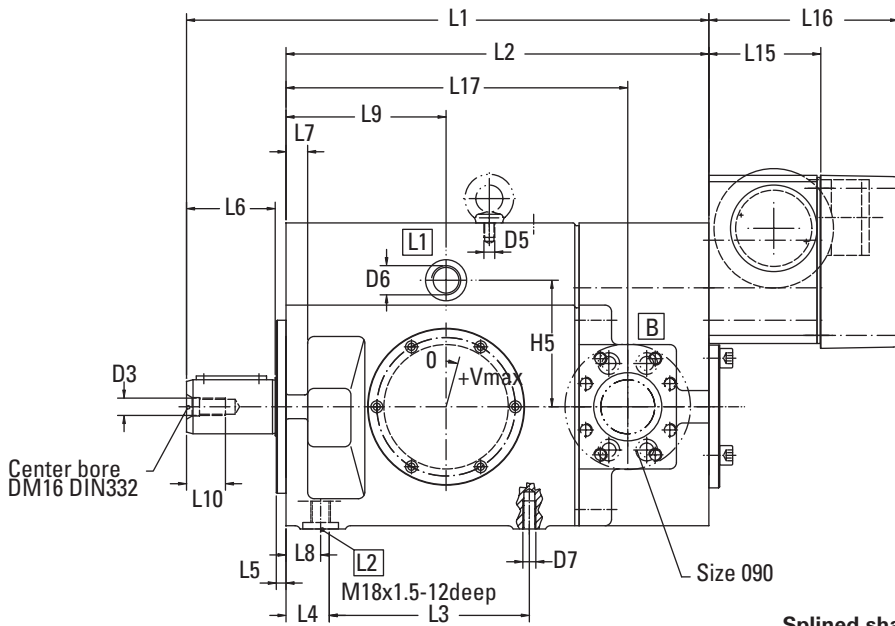
DIRECTION OF ROTATION	CONTROL	INPUT	OUTPUT
Right Hand Rotation	To + Vmax To - Vmax	B A	A B
Left Hand Rotation	To + Vmax To - Vmax	A B	B A

SIZE	SAE-FLANGE "B" 3000(500)PSI, INLET	SAE-FLANGE "A" 6000PSI, OUTLET	WEIGHT KG
066	1 1/2"	1"	55
090	2"	1"	57
130	2 1/2"	1"	111
180	2 1/2"	1 1/4"	113
250	3 1/2"	1 1/4"	226

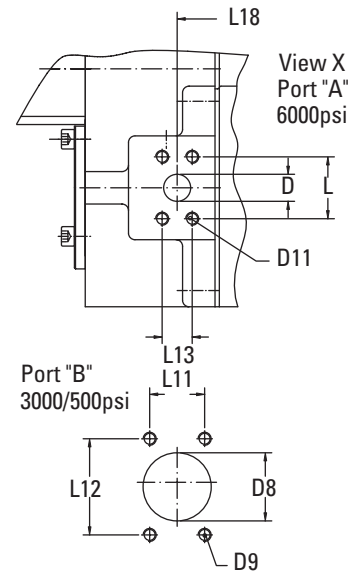
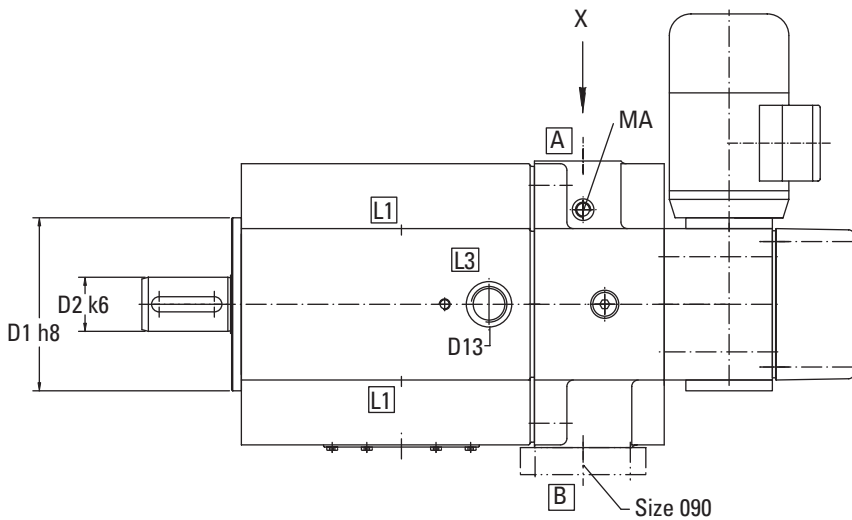


SIZE	B1	B2	B3	B4	B5	B6	B7 h9	B8	B9	B10	B11	B12
066	210	116	160	235	130	180	10	116	58	276.5	334.5	—
090	210	116	160	235	130	180	10	116	58	276.5	334.5	157.5
130	260	140	200	265	224	224	14	140	70	288.5	368.5	—
180	260	140	200	265	224	224	14	140	70	288.5	368.5	—
250	325	180	250	330	280	280	18	175	87.5	332.7	434.7	—

SIZE	D1 h8	D2 k6	D3	D4	D5	D6 Light Execution	D7	DEEP	D8	D9	DEEP	D10	D11	DEEP	D12	D13 SAE 475	D14
066	125	38	M12	18	M8	M22x1.5	M10	24	38	M12	24	25	M12	21	—	7/8-14UNF	110.5
090	125	38	M12	18	M8	M22x1.5	M10	20	50	M12	24	25	M12	21	—	7/8-14UNF	110.5
130	160	50	M16	22	M10	M26x1.5	M12	20	62	M12	20	25	M12	20	M20	1 1/16-12UNF	110.5
180	160	50	M16	22	M10	M26x1.5	M12	20	62	M12	20	32	M14	20	M20	1 1/16-12UNF	110.5
250	200	65	M20	26	M12	M33x2	M16	32	90	M16	32	32	M14	24	M24	1 5/16-12UNF	123



Splined shaft
Dim. See page 51



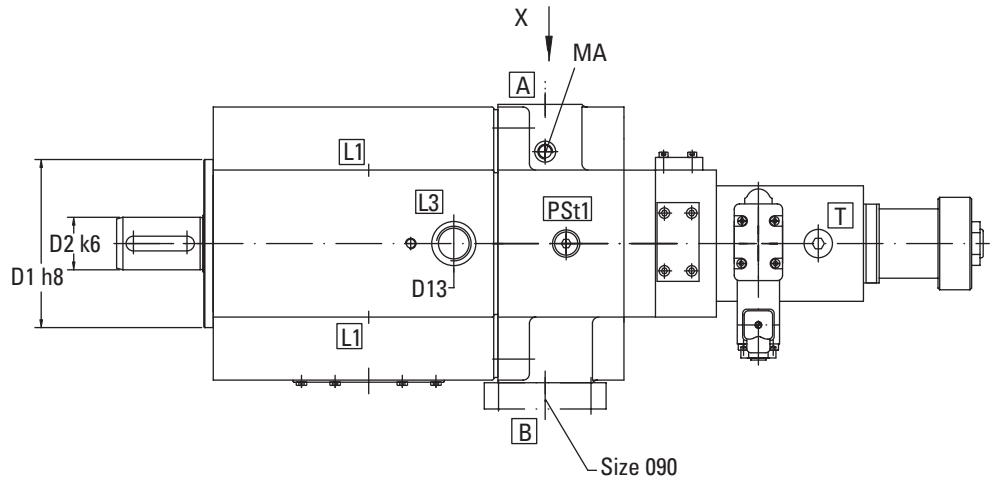
SIZE	H1	H2	H3	H4 +0.2	H5	H6	H7	H8
066	227	162	90	41	93	53	122	168
090	227	162	90	41	93	53	122	168
130	283	207	113	53.5	117	58.5	165	214
180	283	207	113	53.5	117	58.5	165	214
250	354	260	140	69	146	77	198	262

SIZE	L1	L2	L3	L4	L5	L6	L7	L8	L9	L10	L11	L12	L13	L14	L15	L16	L17	L18
066	342	274	150	35	8	58	16	26	120	28	35.7	69.8	27.8	57.2	78	153.5	7245.6	245.6
090	342	274	150	35	8	58	16	26	120	28	42.88	77.77	27.8	57.2	78	153.5	245.6	245.6
130	483	391	185	40	9	82	20	32	148	36	50.8	89	27.8	57.2	100	175.5	316	306
180	483	391	185	40	9	82	20	32	148	36	50.8	89	31.8	66.7	100	175.5	316	306
250	622	505	230	50	10	105	25	41	187	42	69.8	120.7	31.8	66.7	88	163.5	403	403

Pump Dimensions - PVXS 066 - 250

Side ports - Pressure Signal Displacement Control DP*00A ...

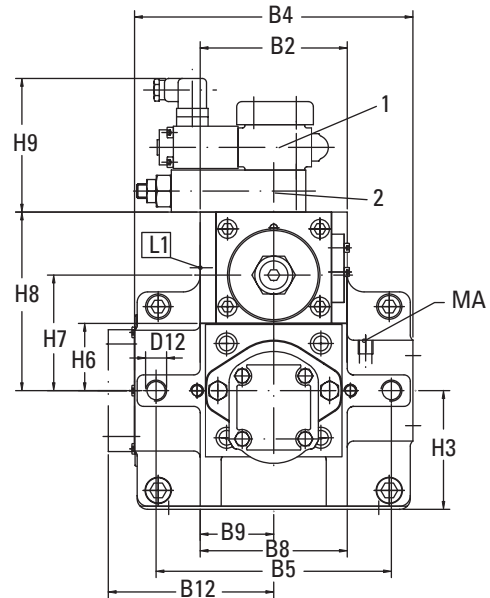
1. Pressure proportional valve
2. Pressure limiter



Dimensions in mm

- T G1/2" Tank port
- SSt G3/4" Suction port of pilot pump
- PSt G3/4" Port of pilot pressure
- PSt1 Port of pilot pressure Size 006/090=M14x1.5
Size 130/180=M16x1.5
Size 250=G1/2"(M22x1.5)
- L1 Two drain ports, one supplied plugged
- L2 M18x1, 5x12-deep supplementary drain, or bleed plug.
Must be drained in addition to if the pump is installed
with the shaft input end pointing upwards.
- MA G1/4"x12.5-deep gauge port supplied plugged

Splined shaft
Dim. See page 51

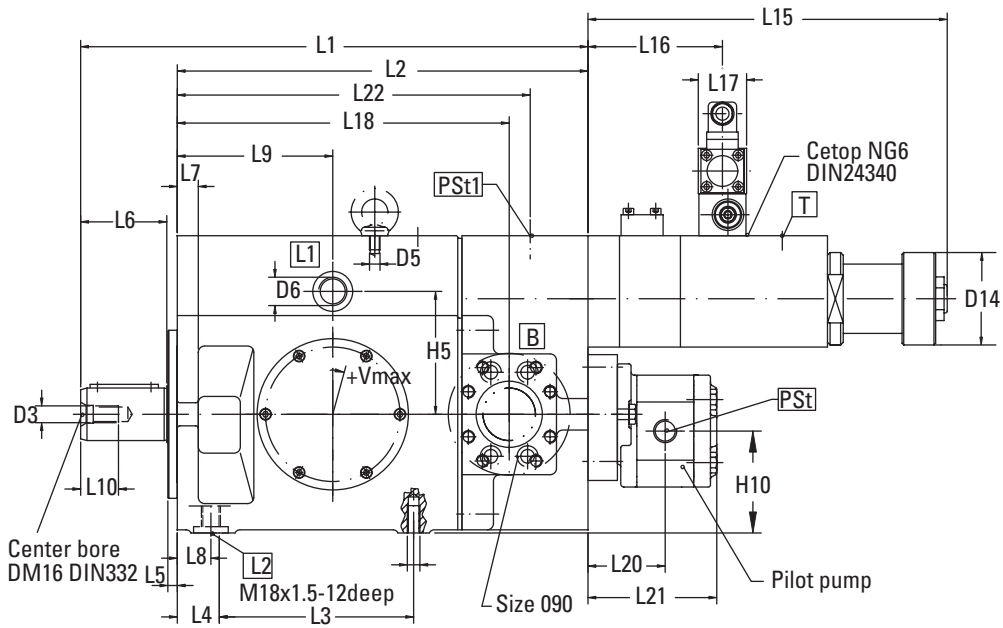
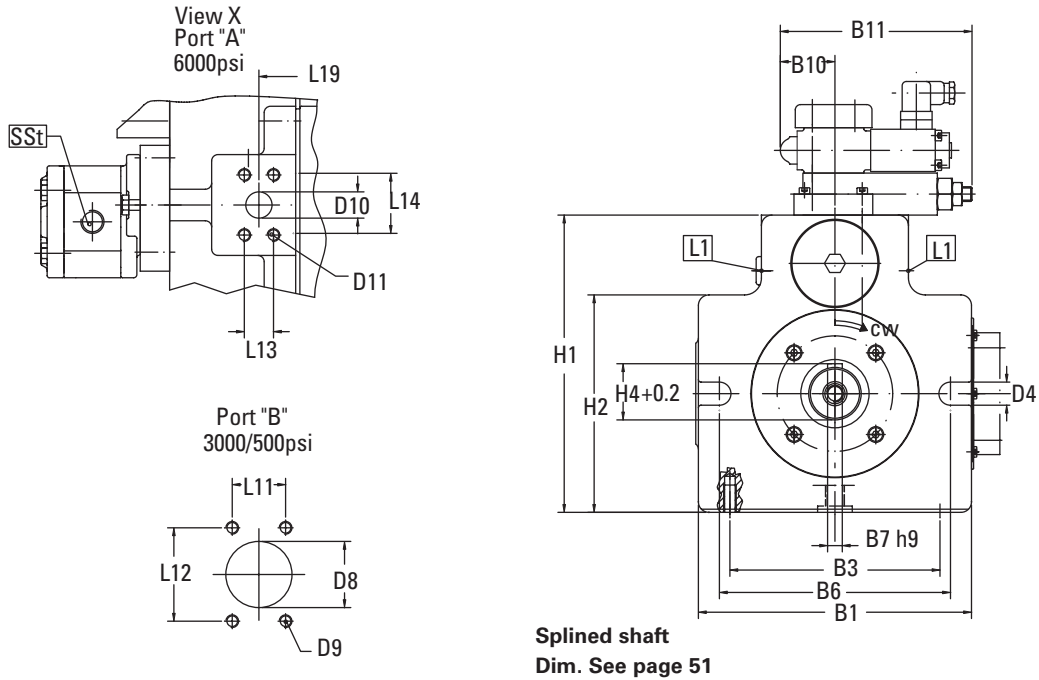


DIRECTION OF ROTATION	CONTROL	INPUT	OUTPUT
Right Hand Rotation	To + Vmax	B	A
	To - Vmax	A	B
Left Hand Rotation	To + Vmax	A	B
	To - Vmax	B	A

SIZE	SAE-FLANGE "B" 3000(500)PSI, INLET	SAE-FLANGE "A" 6000PSI, OUTLET	WEIGHT KG
066	1 1/2"	1"	55
090	2"	1"	57
130	2 1/2"	1"	111
180	2 1/2"	1 1/4"	113
250	3 1/2"	1 1/4"	226

SIZE	B1	B2	B3	B4	B5	B6	B7 h9	B8	B9	B10	B11	B12
066	210	116	160	235	130	180	10	116	58	52	182.5	—
090	210	116	160	235	130	180	10	116	58	52	182.5	157.5
130	260	140	200	265	224	224	14	140	70	52	182.5	—
180	260	140	200	265	224	224	14	140	70	52	182.5	—
250	325	180	250	330	280	280	18	175	87.5	52	182.5	—

SIZE	D1 h8	D2 k6	D3	D4	D5	D6 Light Execution	D7 DEEP	D8	D9 DEEP	D10	D11 DEEP	D12	D13 SAE 475	D14
066	125	38	M12	18	M8	M22x1.5	M10 24	38	M12 24	25	M12 21	—	7/8-14UNF	64
090	125	38	M12	18	M8	M22x1.5	M10 20	50	M12 24	25	M12 21	—	7/8-14UNF	64
130	160	50	M16	22	M10	M26x1.5	M12 20	62	M12 20	25	M12 20	M20	1 1/16-12UNF	88
180	160	50	M16	22	M10	M26x1.5	M12 20	62	M12 20	32	M14 20	M20	1 1/16-12UNF	88
250	200	65	M20	26	M12	M33x2	M16 32	90	M16 32	32	M14 24	M24	1 5/16-12UNF	88



SIZE	H1	H2	H3	H4 +0.2	H5	H6	H7	H8	H9	H10	H11
066	227	162	90	41	93	53	88	137	127	97	113
090	227	162	90	41	93	53	88	137	127	97	113
130	283	207	113	53.5	117	64	110	170	127	97	131
180	283	207	113	53.5	117	64	110	170	127	97	131
250	354	260	140	69	146	77	138	214	127	124	167

SIZE	L1	L2	L3	L4	L5	L6	L7	L8	L9	L10	L11	L12	L13	L14	L15	L16	L17	L18	L19	L20	L21	L22
066	342	274	150	35	8	58	16	26	120	28	35.7	69.8	27.8	57.2	267	104	46	245.6	245.6	73.5	122.6	230.6
090	342	274	150	35	8	58	16	26	120	28	42.88	77.77	27.8	57.2	267	104	46	245.6	245.6	73.5	122.6	230.6
130	483	391	185	40	9	82	20	32	148	36	50.8	89	27.8	57.2	342	128	46	316	306	73.5	122.6	336
180	483	391	185	40	9	82	20	32	148	36	50.8	89	31.8	66.7	342	128	46	316	306	73.5	122.6	336
250	622	505	230	50	10	105	25	41	187	42	69.8	120.7	31.8	66.7	387	150	46	403	403	73.5	122.6	437

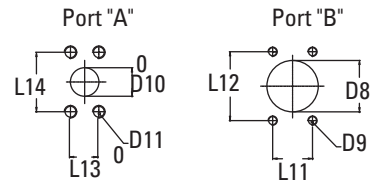
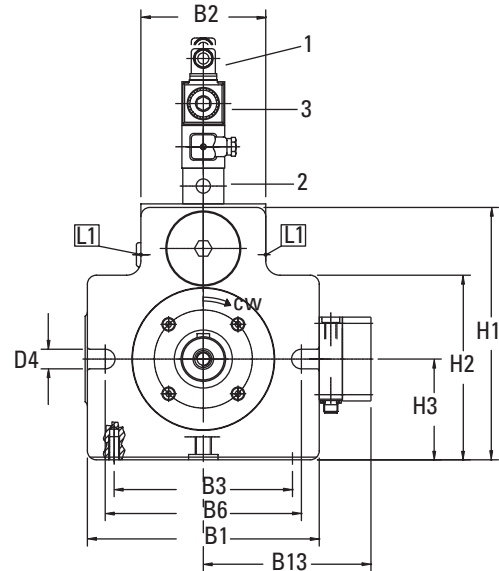
Pump Dimensions - PVXS 066 - 250

Side ports - Proportional Valve Displacement Control SPC03A.....E...

1. Proportional valve
2. Pressure limiter
3. Filter

Dimensions in mm

- T G1/2"
- Pst G1/2"
- Mst G1/4"
- L1 Two drain ports, one supplied plugged
- L2 M18x1, 5x12-deep supplementary drain, or bleed plug. Must be drained in addition to if the pump is installed with the shaft input end pointing upwards.
- MA G1/4"x12.5-deep gauge port supplied plugged

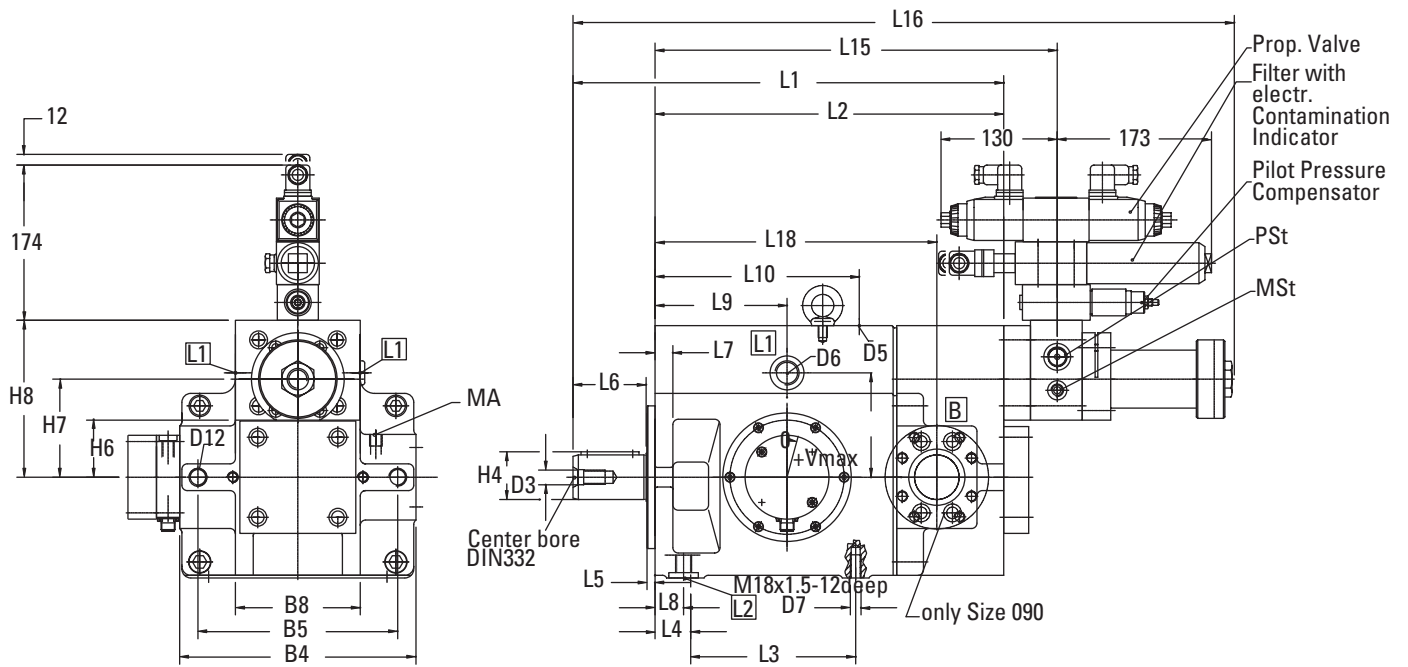


DIRECTION OF ROTATION	CONTROL	INPUT	OUTPUT
Right Hand Rotation	To + Vmax	B	A
	To - Vmax	A	B
Left Hand Rotation	To + Vmax	A	B
	To - Vmax	B	A

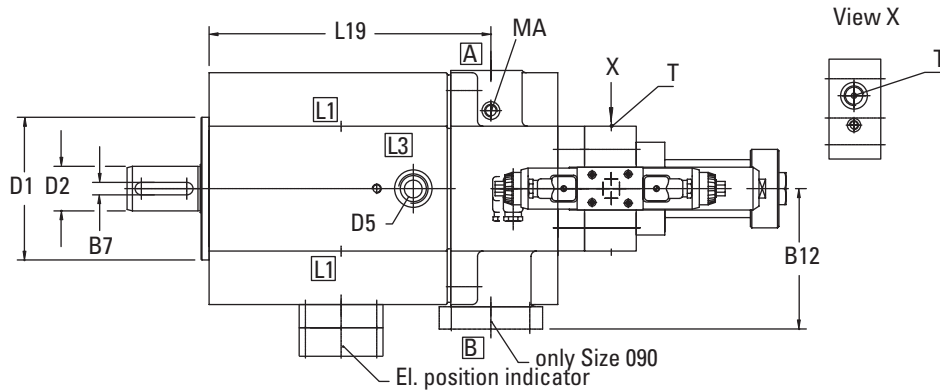
SIZE	SAE-FLANGE "B" 3000(500)PSI, INLET	SAE-FLANGE "A" 6000PSI, OUTLET	WEIGHT KG
066	1 1/2"	1"	55
090	2"	1"	57
130	2 1/2"	1"	111
180	2 1/2"	1 1/4"	113
250	3 1/2"	1 1/4"	226

SIZE	B1	B2	B3	B4	B5	B6	B7 h9	B8	B12	B13
066	210	116	160	235	130	180	10	116	—	165
090	210	116	160	235	130	180	10	116	157.5	165
130	260	140	200	265	224	224	14	140	—	190
180	260	140	200	265	224	224	14	140	—	190
250	325	175	250	330	280	280	18	175	—	221

SIZE	D1 h8	D2 k6	D3	D4	D5	D6 Light Execution	D7	DEEP	D8	D9	DEEP	D10	D11	DEEP	D12
066	125	38	M12	—	7/8-UNF	M22x1.5	M10	20	38	M12	24	25	M12	21	—
090	125	38	M12	18	7/8-UNF	M22x1.5	M10	20	50	M12	24	25	M12	21	—
130	160	50	M16	22	1 1/16-UNF	M26x1.5	M12	20	62	M12	20	25	M12	20	M20
180	160	50	M16	22	1 1/16-UNF	M26x1.5	M12	20	62	M12	20	32	M14	20	M20
250	200	65	M20	26	1 1/16-UNF	M33x2	M16	32	90	M16	32	32	M14	24	M24



Splined shaft
Dim. See page 51



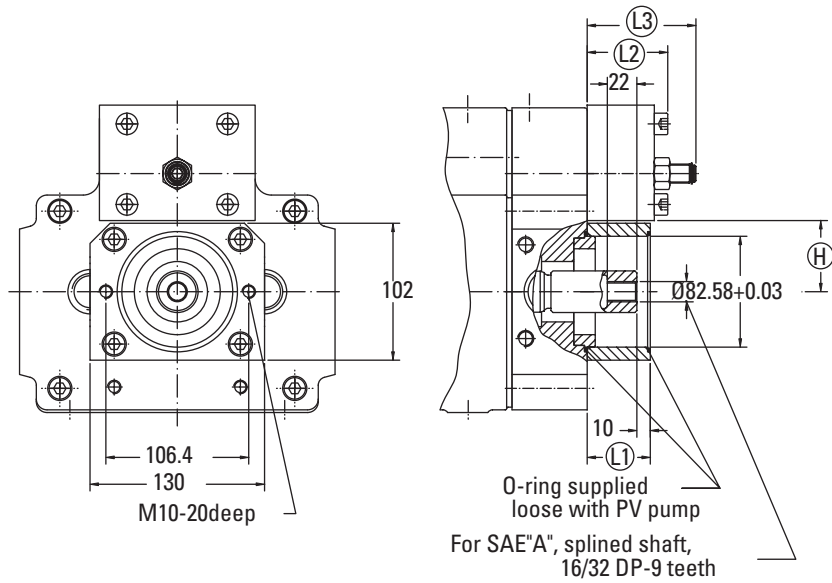
SIZE	H1	H2	H3	H4 +0.2	H5	H6	H7	H8
066	227	162	90	41	93	53	88	139
090	227	162	90	41	93	53	88	139
130	283	207	113	53.5	117	64	110	176
180	283	207	113	53.5	117	64	110	176
250	354	260	140	69	146	77	138	220

SIZE	L1	L2	L3	L4	L5	L6	L7	L8	L9	L10	L11	L12	L13	L14	L15	L16	L18	L19	L20	L21
066	342	274	150	35	8	58	16	26	120	185	35.7	69.8	27.8	57.2	328	576	245.6	245.6	68	58
090	342	274	150	35	8	58	16	26	120	185	42.88	77.77	27.8	57.2	328	576	245.6	245.6	68	58
130	483	391	185	40	9	82	20	32	148	229	50.8	89	27.8	57.2	451	738	316	306	78	68
180	483	391	185	40	9	82	20	32	148	229	50.8	89	31.8	66.7	451	738	316	306	78	68
250	622	505	230	50	10	105	25	41	187	281	69.8	120.7	31.8	66.7	579	931	403	403	90	80

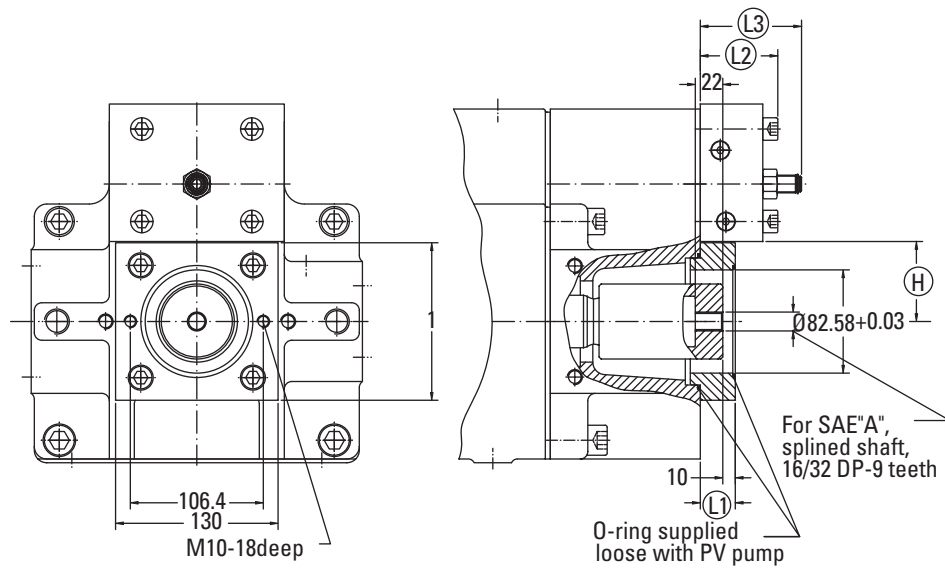
Pump Dimensions - PVXSThru-Drive

Mounting, Thru-Drive Options
SAE "A" and SAE "B"

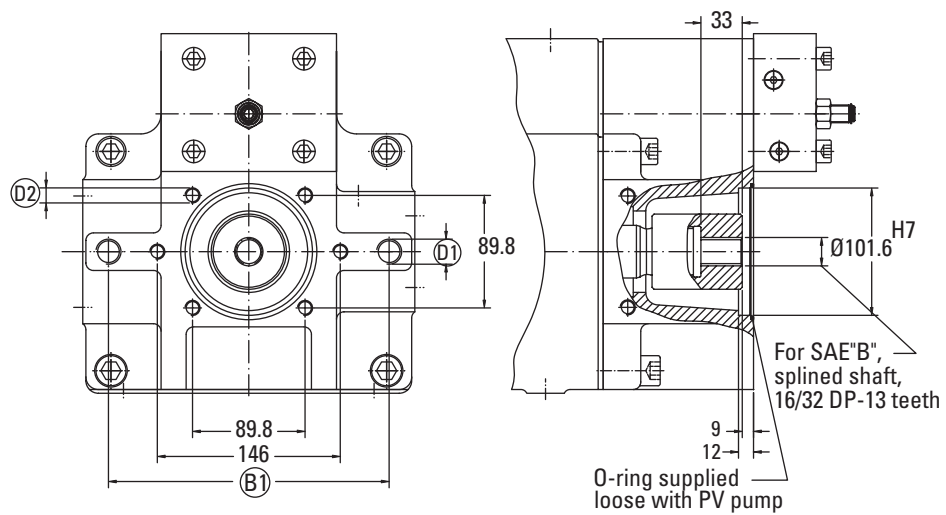
PVX 066 / 090 SAE "A"



PVX 130 / 180 / 250 SAE "A"



PVX 130 / 180 / 250 SAE "B"

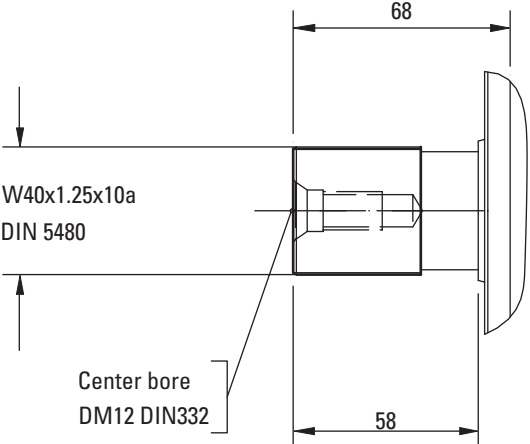


SIZE	THROUGH SHAFT	B1	D1	D2	L1	L2	L3	H
066/090	SAE "A"	—	—	—	47	60	81	53
130/180	SAE "A"	224	M20-30 deep	M12-20 deep	28	62	81	64
	SAE "B"	—	—	—	—	62	81	64
250	SAE "A"	280	M24-38 deep	M12-24 deep	28	56	91	77
	SAE "B"	—	—	—	—	56	91	77

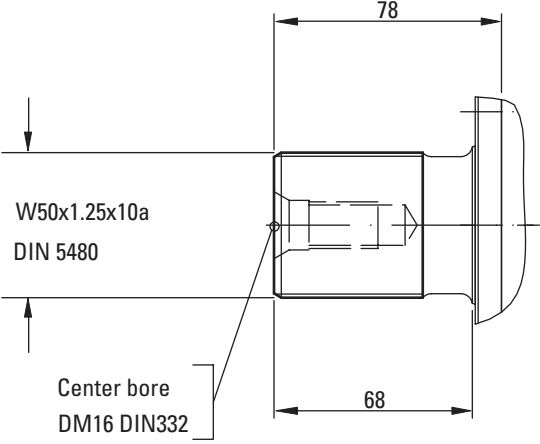
Pump Dimensions - Splined Shafts

For Variable Displacement
Pumps (PVXS) Only

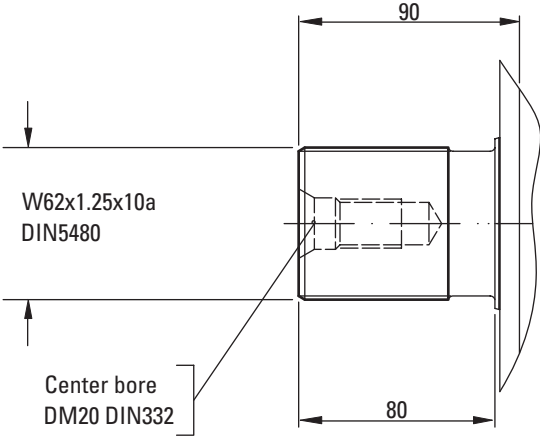
Size 066 / 090



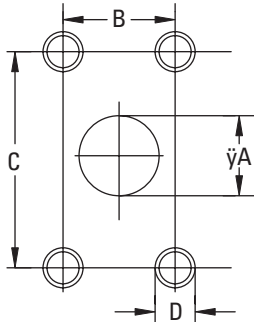
Size 130 / 180



Size 250



Pump Dimensions - PVXS SAE 4-Bolt Mounting Pads



DIM.	CODE 61 SERIES				CODE 62 SERIES	
	1 1/2"	2"	2 1/2"	3 1/2"	1"	1 1/4"
A	38	50	62	90	25	32 max
B	35,7	42,9	50,8	69,8	27,8	31,8
C	69,8	77,8	89	120,7	57,2	66,7
D	M12x20	M12x20	M12x20	M16x26	M12x18	M14x24

PFX / PVX 066	Inlet	•				
	Outlet				•	
PFX / PVX 090	Inlet	•				
	Outlet				•	
PFX / PVX 130	Inlet		•			
	Outlet				•	
PFX / PVX 180	Inlet		•			
	Outlet					•
PFX / PVX 250	Inlet			•		
	Outlet					•

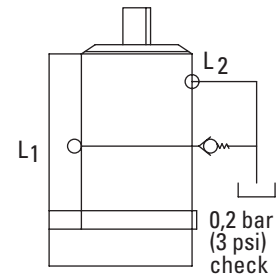
Thru-drive Shaft Output Torque

MAX. OUTPUT TORQUE, NM (LB.FT)

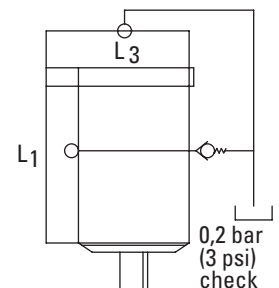
Pump Size	Keyed Shaft Increasing Load	Keyed Shaft Increasing Load	Splined Shaft
066	520 (383)	260 (190)	660 (485)
090	520 (383)	260 (190)	660 (485)
130	720 (530)	360 (265)	900 (665)
180	720 (530)	360 (265)	900 (665)
250	1400 (1032)	1400 (1032)	2500 (1843)

Installation Drain piping

Shaft up



Shaft down



Application Data - Fluid Recommendations

Case Flushing Requirements

A check valve must not be used in the drain pipe. The drain pipe must interminate below the oil level in the reservoir.

For all other conditions with low pressure <20 bar (<300 psi) and low flow (<10% of Q_{max}) case flushing is required.

For operation with special fluids HFB and HFC, case flushing is recommended.

Flushing Flow

Flushing flow via the pump case should be >1% of maximum pump flow. Maximum flushing flow depends on case pressure.

Notes:

- All listed ratings are based on the use of a good quality fluid.
- Alternative fluids have a reduced tolerance for contamination over petroleum base fluids. Good filtration is therefore critical.
- The pumps will provide exceptional life when used with a good quality clean fluid at the pump ratings specified for that fluid.

Fluids

Pumps in the catalog are primarily designed to operate with conventional petroleum based hydraulic oil. Alternative fluids and restrictions:

- Fluid maintenance is critical to the durability of all hydraulic components, and particularly so with hydraulic pumps. This becomes even more of a factor when alternative fluids are used. All types of alternative fluids require extensive maintenance in order to maintain proper levels of water content, acidity, viscosity and contamination.

Fluid Cleanliness

These pumps are rated for anti-wear petroleum fluids with a contamination level of 18/15/13 per ISO 4406. Operation in fluids with levels more contamination than this is not recommended and may reduce the life of the pump components. Fluids other than petroleum, severe service cycles, or temperature extremes are cause for adjustment of these codes. Please contact your Eaton representative for special duty cycle recommendations.

Eaton pumps, as well as any variable displacement piston pumps, will operate with apparent satisfaction in fluids up to the rating specified here. Experience has shown, however, that pump and hydraulic system life is not optimized with high fluid contamination levels (high ISO cleanliness codes).

Proper fluid condition is essential for long and satisfactory life of hydraulic components and systems. Hydraulic fluid must have the

correct balance of cleanliness, materials, and additives for protection against wear of inclusion of air.

Essential information on the correct methods for treating hydraulic fluid is included in Eaton publication 561- "Vickers Guide to Systemic Contamination Control"- available from your local Eaton distributor.

In this publication, filtration and cleanliness levels for extending the life of axial piston pumps and other system components are listed. Included is an excellent discussion of the selection of products needed to control fluid condition.

Ordering Procedure

When ordering please specify full model designation of items required; see "Model Codes" section of this catalog.

Note the following:

- Designation of variable displacement pumps must include the supplementary designation of the required control.

FLUIDS

Type	Classification	Max. Pressure Bar	Max. Speed rpm	Recommended Seal Material	Max Operating Temperature °C	Bearing Life
Oil in Water Emulsion	HFAE	Not Rated				0
Water in Oil Emulsion	HFB	250	1800	Fluorocarbon	49	50%
Water Glycol	HFC	250	1800	Fluorocarbon	49	25%
Phosphate Ester	HFDR	350/420	1800	Fluorocarbon	66	100%
Polyol Ester	HFDU	350/420	1800	Fluorocarbon	66	100%

Notes

Notes

Eaton
14615 Lone Oak Road
Eden Prairie, MN 55344
USA
Tel: 952 937-9800
Fax: 952 974-7722
www.hydraulics.eaton.com

Eaton
20 Rosamond Road
Footscray
Victoria 3011
Australia
Tel: (61) 3 9319 8222
Fax: (61) 3 9318 5714

Eaton
Dr.-Reckeweg-Str. 1
D-76532 Baden-Baden
Germany
Tel: (49) 07221 682-0
Fax: (49) 07221 682-788

VICKERS[®]

EATON

Vickers

© 2003 Eaton Corporation
All rights reserved
Printed in USA
Document No. V-PUPI-TM004-E
March 2003