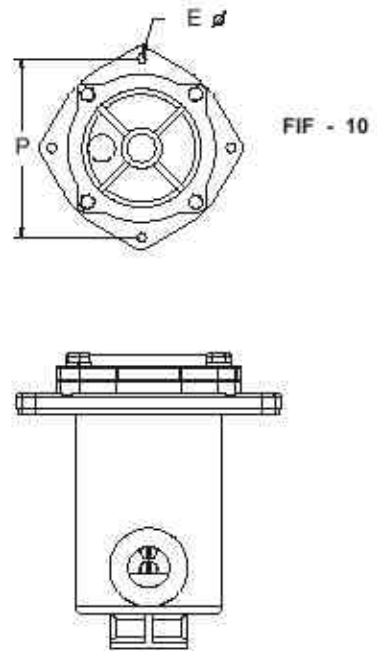
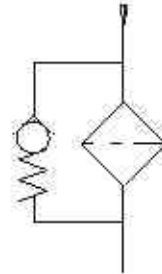
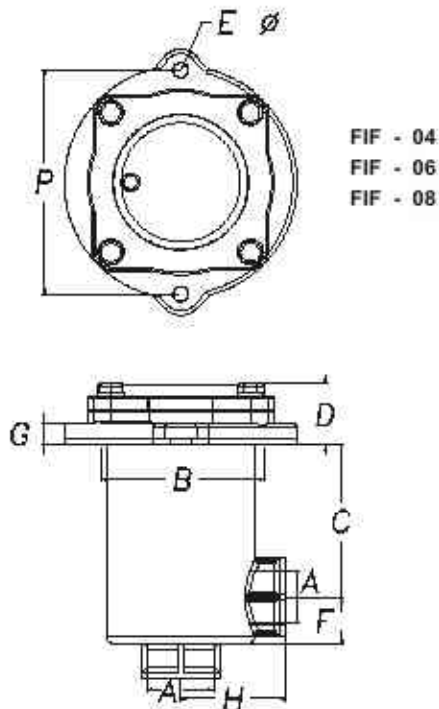


FILTER - TANK IMMERSED-FIF

- DIRECT TANK MOUNTING
- PRESSURE MAX. 10 BAR / TEST 20 BAR / BURST 25 BAR
- ALL ALUMINIUM DIE CAST CONSTRUCTION
- 4 SIZES - FLOWS TO 150 LPM
- BY PASS STANDARD 1 BAR
- ELEMENTS REPLACEBLE THROUGH COVER
- SUITABLE FOR MINERAL / PETROLEUM BASED OILS
- MAX TEMP. 80 deg C



MODEL	PORT 'A' BSPP	B	C	D	E _ø	F	G	H	P	COVER BOLT 4 OFF	WT KGS
FIF - 04	1/2"	80	71	23	7	34	7	48	100	M6	0.9
FIF - 06	3/4"	105	68	24	9	48	10	58	126	M6	1.4
FIF - 08	1"	105	110	24	9	55	10	58	126	M6	1.6
FIF - 10	1 - 1/4"	156	190	35	9	62	14	83	175	M8	3.0

DIMENSIONS IN MM FOR REFERENCE ONLY

FILTER - TANK IMMERSED - F..

MODEL CODE : ASSEMBLY

FIF	- 04 *	- Element	- Feature
Series	PORT THREAD	- Filtration Micron	- # Omit if Standard
FIF	04 B - 1/2" BSPP	P10 - 10µ NOM	R3 - 15 PSI BYPASS STANDARD R4 - 25 PSI BYPASS OPTIONAL
	04 N - 1/2" NPT	P25 - 25µ NOM	
	08 S - 3/4" UNF - 16	A10 - 10µ ABS	
	06 B - 3/4" BSPP	A25 - 25µ ABS	
	06 N - 3/4" NPT	M149 - 149µ MESH	
	12 S - 1-1/16" UNF - 12	M100 - 100µ MESH	
	08 B - 1" BSPP	M074 - 074µ MESH	
	08 N - 1" NPT	M063 - 063µ MESH	
	16 S - 1-5/16" UNF - 12		
	10 B - 1-1/4" BSPP		
	10 N - 1-1/4" NPT		
	20 S - 1- 5/8" UNF - 12		

INDICATOR : OPTIONAL (TO BE ORDERED SEPERATELY)

GR - VISUAL RETURN ER - ELEC. RETURN

Element : P10 / P25 Was 010 / 025

MODEL CODE : ELEMENT

FIE	- 08	- 010	- Feature
SERIES	SIZE	FILTRATION µ MICRON	- # Omit if Standard
FIE	04	P10 - 10 µ NOM	R3 - 15 PSI BYPASS STANDARD R4 - 25 PSI BYPASS OPTIONAL
		P25 - 25 µ NOM	
	06	A10 - 10 µ ABS	
		A25 - 25 µ ABS	
	08	M149 - 149 µ MESH	
		M100 - 100 µ MESH	
	10	M074 - 074 µ MESH	
		M063 - 063 µ MESH	

WITH BYPASS

OPTIONAL / SPECIAL FEATURE - OMIT IF NOT REQUIRED

Consult Factory For Tapped Holes For Cover Bolts

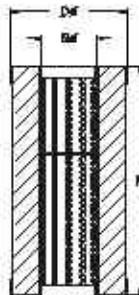
MODEL CODE : SEAL KIT

FIF	- 08	-SK
SERIES	SIZE	SEAL KIT
FIF	04	SK
	06	SK
	08	SK
	10	SK

OPTIONAL / SPECIAL FEATURE - OMIT IF NOT REQUIRED

Element Details

SIZE	D φ	B φ	H	Area SqCm		
				P-10/25	A-10/25	M - ***
FIE - 04	52	25.5	72	710	500	325
FIE - 06	66	30.5	85	1225	875	425
FIE - 08	66	30.5	130	2450	1750	665
FIE - 10	95	40.5	200	6120	4300	2360



M *** All Mesh Elements
 CONSULT FACTORY FOR ANY OTHER REQUIREMENT

