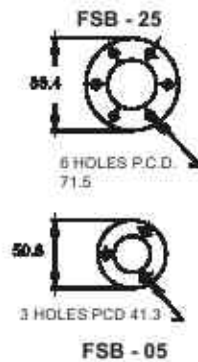
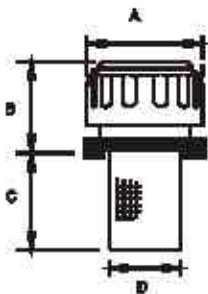


BREATHER - FSB / TB

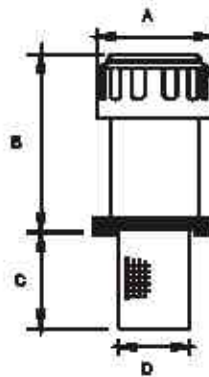
- CHROME PLATED STEEL CAP - VENTS UNDERNEATH
- ALTERNATELY CAP FINISH ZINC BLUE (ROHS) / POWDER COATED
- FILTRATION 40 MICRONS STANDARD / OPTIONAL 10 & 3 MICRONS
- AIR FLOWS TO 25 CFM (750 LPM)
- RUGGED CAST ALUMINIUM HOUSING (FOR BM MODEL)
- METAL STRAINER - STANDARD
- HARDWARE INCLUDES GASKETS & (10-32) SCREWS



FLANGE TYPE

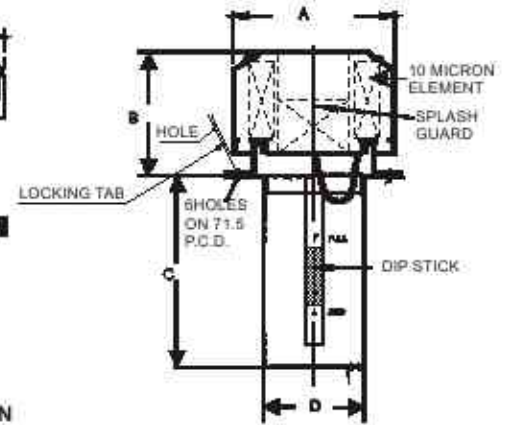


FLANGE TYPE HIGH NECK

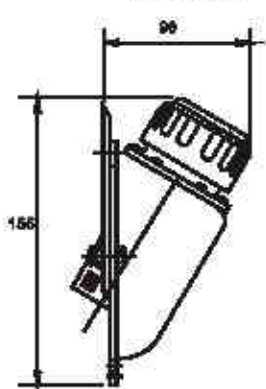


FSB-25 HN

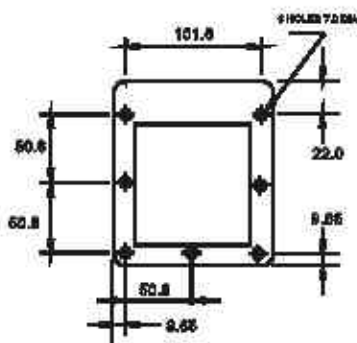
OPTIONAL FEATURES



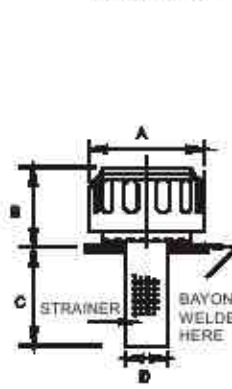
SIDE MOUNT



FSB - 25 BM

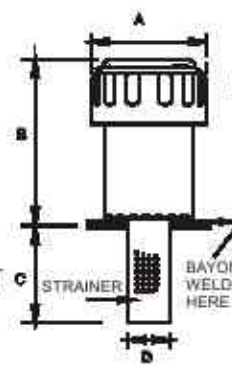


WELD TYPE



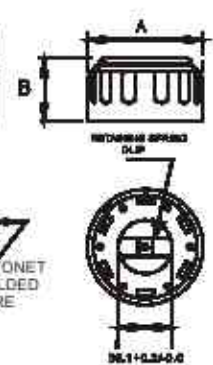
FSBW - 25

WELD TYPE HIGH NECK



FSBW - 25 HN

PUSH ON TYPE



PB-25

* OPTIONAL / SPECIAL FEATURE (CONSULT FACTORY) - OMIT IF NOT REQUIRED

BREATHER - FSB / TB

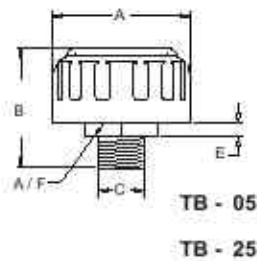
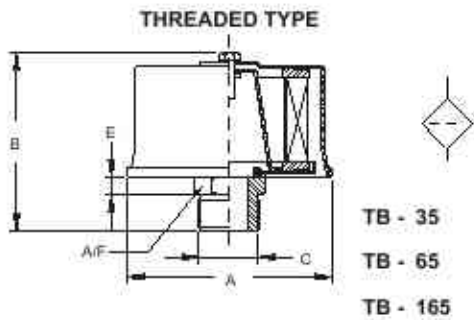
MODEL	DISPLACEMENT		RATING MICRONS	A	B	C*	D	WT
								KGS
FSB - 05	150	LPM	40					
				45	49	65	28	0.10
FSB - 05 - 10	90	LPM	10					
FSB - 25	720	LPM	40	77	62	91	48	0.25
FSB - 25 - 10	400	LPM	10	77	62	91	48	0.25
FSBW - 25	720	LPM	40	77	62	91	30	0.25
FSB - 25-HN	720	LPM	40	77	122	91	48	0.40
FSBW - 25-HN	720	LPM	40	77	122	91	30	0.40
PB - 25	720	LPM	40	77	50	-	-	0.21

MODEL CODE : ASSEMBLY

FSB*	- 25	- 10	- BM	- L4	- L6	- L8	- DS4	- DS6	- DS8
SERIES	CAPACITY CFM	FILTRATION µ MICRONS	FEATURE OPTIONAL (1)	STRAINER C* OPTIONAL(2)	FEATURE 1 OPTIONAL # (OMIT IF NOT REQD)	FEATURE 2 OPTIONAL # (OMIT IF NOT REQD)	FEATURE 3 OPTIONAL # (OMIT IF NOT REQD)		
FSB	05 (150 LPM)	40 - 40 µ Std		STD			CONSULT FACTORY		
FSB	25 (750 LPM)	10 - 10 µ Norm	BM - SIDE MOUNT	L4 - STD	LT - LOCKING TAB	DS4 - DIP STICK 4"	B - BLACK POWDER COATED CAP Z - ZINC BLUE LACQUER COATED CAP		
FSBW		03 - 3 µ Norm	HN - HIGH NECK	L6 - 152 m m L8 - 203 m m	P5 - Pressurised 5psi SG - SPLASH GUARD	DS6 - DIP STICK 6" DS8 - DIP STICK 8"			

OPTIONAL / SPECIAL FEATURE (CONSULT FACTORY) - OMIT IF NOT REQUIRED

BREATHER - FSB / TB

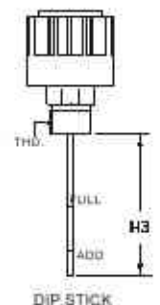
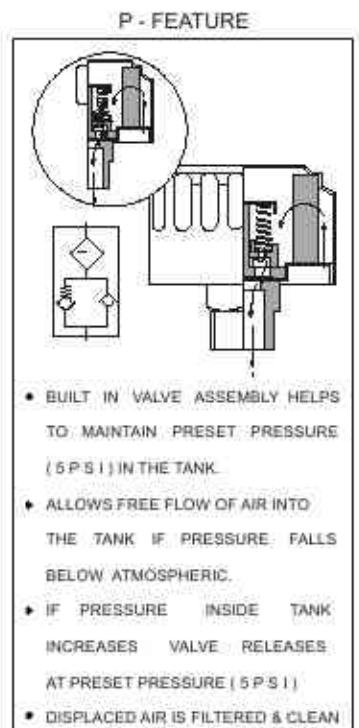


MODEL	DISPLACEMENT	RATING	A	B	C	E	A/F	WT
		MICRON			STD IN BSPP			KGS
TB . 05 .	150 LPM	40						
			45	63	1/4"	8	25	0.13
TB . 05 . 10	90 LPM	10						
TB . 25 .	720 LPM	40						
			77	75	3/4"	10	30	0.25
TB . 25 . 10	400 LPM	10						
TB . 35 .	1000 LPM	10						
			110	138	1 - 1/2"	12	55	0.40
TB . 65 .	2000 LPM	10						
			145	145	2"	15	65	0.55
TB . 165 .	4000 LPM	10						
			185	195	2 - 1/2"	15	80	1.30

Note : TB 35 / 65 / 165 Nylon Housing

MODEL CODE : ASSEMBLY

TB	- 05	- 10	- * * *	- P	- *
SERIES	CAPACITY	FILTRATION	THREADS	FEATURE	FEATURE 3
	CFM	µ MICRONS	OPTIONAL #	SPECIAL #	OPTIONAL # (OMIT IF NOT REQD)
TB	05	40 - 40 µ Std	03 - 3/8"	P - PRESSURISED (5 P S I) SG - SPLASH GUARD DS 4 - DIP STICK 4" DS 6 - DIP STICK 6" (Ref - H3) DS 8 - DIP STICK 8"	B - BLACK POWDER COATED CAP Z - ZINC BLUE LACQUER COATED CAP
		10 - 10 µ Nom	04 - 1/2"		
	25	03 - 3 µ Nom	04 - 1/2"	N - NPT	
		10 - 10 µ Nom	08 - 1"		
	35	10 - 10 µ Nom	10 - 1-1/4"	S - SAE	
		65	10 - 10 µ Nom		
165		10 - 10 µ Nom			



OPTIONAL / SPECIAL FEATURE (CONSULT FACTORY) - OMIT IF NOT REQUIRED