

Power Steering Vane Pump

VTM42 Series



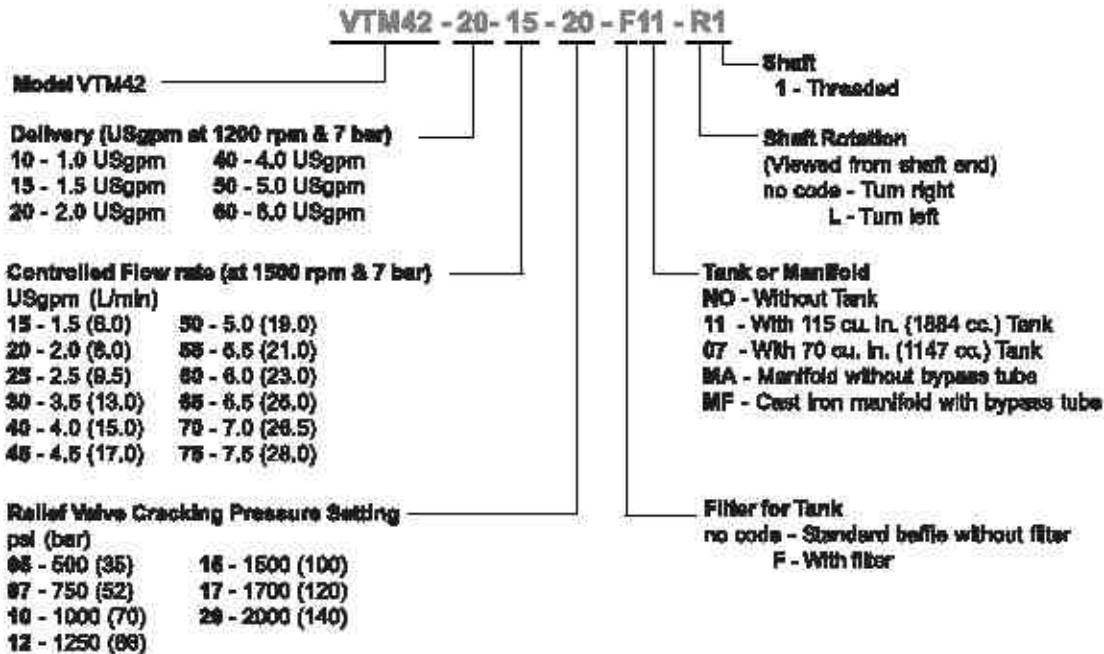
Features

- VTM42 Series are fixed displacement and balanced type vane pumps for mobile and marine power steering application. With flow control and relief valves, the pump does not need separate valves. The pump also can be combined with tank or manifold assembly to be piped to an external tank. With threaded shaft and heavy duty bearing, the pump can be used with gear and pulley drive.



Ordering Code and Specifications

Power Steering Pump

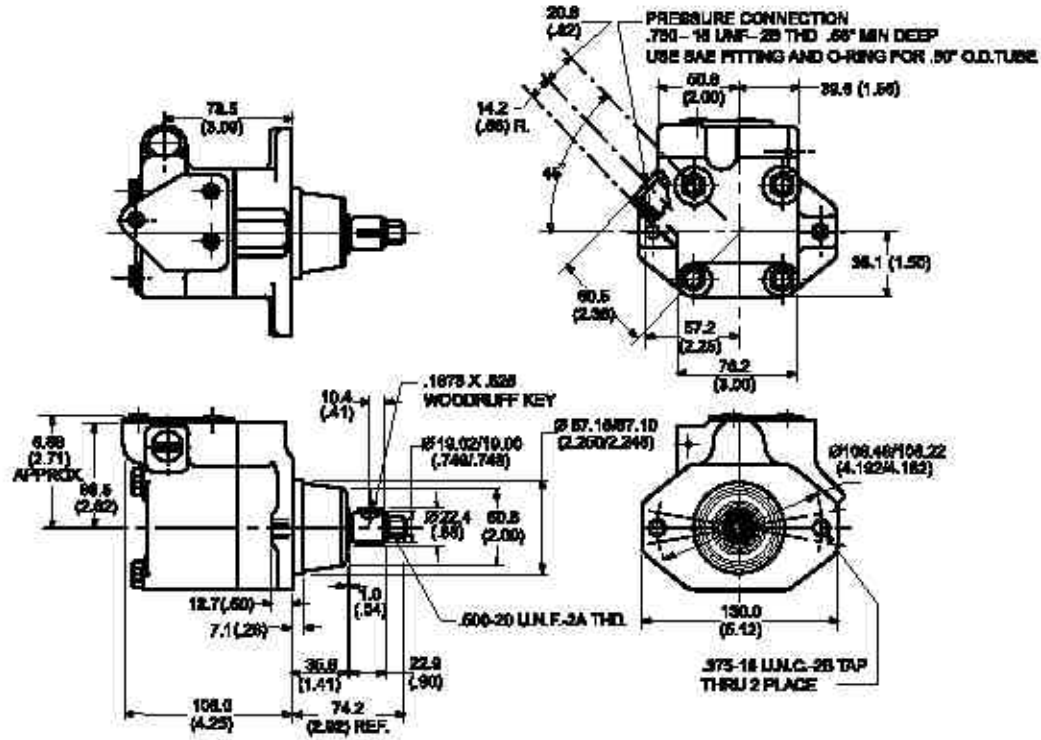


Model Series	Ring Size Delivery at 1200 r/min & 7 bar (100 psi) USgpm	Geometric Displacement cm ³ /r (in ³ /r)	Maximum Speed			Maximum Pressure bar (psi)	Weight kg (lb)
			at 7 bar (100 psi) rpm	at 100 bar (1500 psi) rpm	at 140 bar (2000 psi) rpm		
VTM42	1	3.4 (0.21)	7000	5000	4250	140 (2000)	6.4 (14)
	1.5	5.0 (0.31)	7000	4500	4000		
	2	6.2 (0.38)	7000	4200	3900		
	4	12.9 (0.79)	7000	2800	2900		
	6	15.7 (0.96)	6000	2600	2300		
	8	19.3 (1.18)	5000	2500	2000		

The products described herein, including without limitation, product features, specifications, designs, availability and pricing, are subject to change at any time without notice.

Installation Dimensions mm (inch)

Power Steering Pump



VTM42 Tank Dimensions

