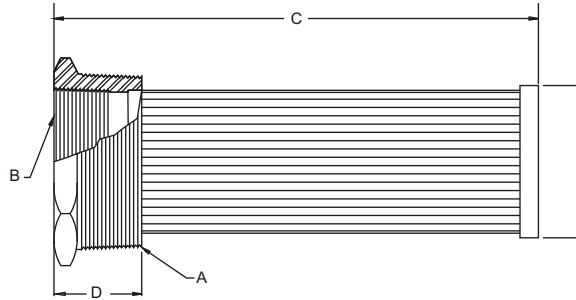
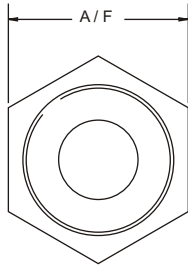


# TANK MOUNTED STRAINER - T...

- TANK MOUNTED REUSABLE STRAINER
- SIDE WALL OR TANK TOP MOUNTING
- FLOWS TO 200 GPM ( 800 LPM )
- STAINLESS STEEL PLEATED MEDIA
- 100 MESH ( 149 MICRON ) STANDARD
- M.S. / C.I. BUSHING



Series	NUT	Bushing Size Dim. A x Dim. B N.P.T	LPM / GPM Rating	Screen Area SQ. IN.	Dimensions			A / F	WT KGS
					C	D	E		
TMS - 003	MS	3/4" x 3/8"	12 / 3	30	101.6	25	20	30	0.13
TMS - 005	MS	1" x 1/2"	20 / 5	55	137.0	28	28	38	0.20
TMS - 010		1 - 1/4" x 3/4"	40 / 10	90	190.0	31	36	46	0.35
TMS - 015	MS	1 - 1/2" x 1"	60 / 15	110	210.0	33	42	50	0.41
TMS - 025	CI	2" x 1 - 1/4"	100 / 25	175	254.0	33	54	66	0.62
TMS - 030	CI	3" x 1 - 1/4"	120 / 30	265	260.0	43	78	66	1.12
TMS - 040	CI	3" x 1 - 1/2"	160 / 40	265	260.0	43	78	66	1.12
TMS - 050	CI	3" x 2"	200 / 50	265	260.0	43	78	82	1.12
TMS - 060	CI	3" x 2 - 1/2"	240 / 60	265	260.0	51	78	90	1.25
TMS - 075	CI	4" x 2 - 1/2"	300 / 75	300	246.0	46	96	118	2.10
TMS - 100	CI	4" x 3"	400 / 100	355	287.0	46	96	118	1.75
TMS - 200	AL	6" x 4"	800 / 200	860	316.0	58	145	144	2.67

## MODEL CODE : ASSEMBLY

TMS	- 005		- 149	- RB3
SERIES	SIZE	NPT THD NORMS STD THD 'A' THD 'B'	µ MICRONS	OPTIONAL
TMS	003	06N 03N		
	005	08N 04N		
	010	10N 06N		
	015	12N 08N	149 - SS 100 MESH STD	RB3 3 P.S.I. BYPASS VALVE
	025	16N 10N	125 - SS 120 MESH	( OMIT IF NOT REQ. )
	030	24N 10N	100 - SS 150 MESH	
	040	24N 12N	074 - SS 200 MESH	
	050	24N 16N	063 - SS 250 MESH	
	060	24N 20N	Also - 30 / 60 MESH	
	075	32N 20N	( OMIT IF STD. )	
	100	32N 24N		
200	48N 32N			

### Recommended Weld Flange

To Be Ordered  
Separately

TWF - 06N

TWF - 08N

TWF - 10N

TWF - 12N

TWF - 16N

TWF - 24N

TWF - 24N

TWF - 24N

TWF - 24N