



Directional spool valve type WEH 22 electro-hydraulically operated

WK
460 110

Size 22

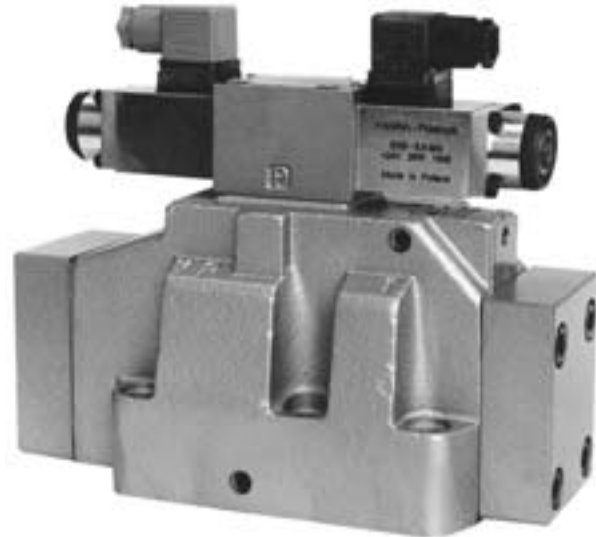
28/35 MPa

450 dm³/min

04.2001r.

Directional control valves afford possibilities for controlling start, stop and direction of flow of a pressure fluid and thus accordingly start, stop and direction of movement of a user (cylinder or hydraulic motor).

The directional valves may be mounted in hydraulic systems in any desired position together with a subplate. Sealing of mating faces is made by using O-rings which are included with the valve.



DESCRIPTION OF OPERATION

The directional valve is switched by changing position of the control spool 2 which moving along its axis separates or connects ports A, B, P or T in the housing 1.

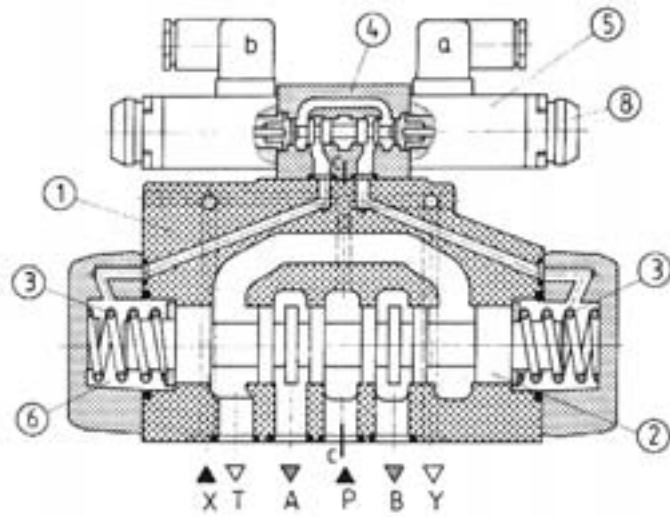
Pressure supplied to one spring chamber 6 via the pilot valve 4 acts on the main spool surface and thus the main spool is shifted from its neutral position.

The main control spool is held in centre position by the spring 4 or hydraulically that is by fluid pressure affecting (via the pilot valve) the both spool surfaces.

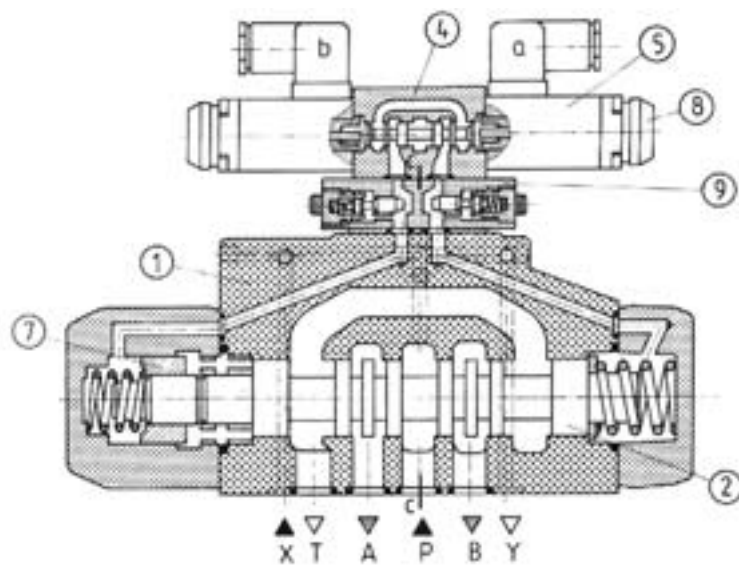
Centering sleeve 7 serves centering function.

The pilot valve is electrically operated by the solenoids 5, which may be equipped with the emergency button 8. The optional emergency button allows the operation of the pilot valve without energisation subject to the pilot fluid pressure being at disposal.

The directional valve may be provided with the pilot choke adjustment 9.



Type 4 WEH 22 ... / ...



Type 4 WEH 22H ... / ...

TECHNICAL DATA

Hydraulic fluid	Mineral oil, phosphate ester
Required filtration	up to 16 μm (recommended 10 μm)
Nominal fluid viscosity	37 mm^2 at temp. of 328 K
Viscosity range	2.8 to 380 mm^2/s
Optimum working temperature (fluid in a tank)	313 - 328 K
Fluid temperature range	243 - 343 K
Weight	max 21 kg
Maximum operating pressure - in ports A, B, P - in port T pilot fluid return Y = external pilot fluid return Y = internal (3-position valve spring centered, 2-position valve) internal pilot fluid return (3-position valve hydraulically centered)	35 MPa for H-4WEH 22, 28 MPa for 4WEH 22 25 MPa 16 MPa no
Minimum pilot pressure pilot fluid supply X = external pilot fluid supply X = internal three-position directional valve two-position directional valve spring centered two-position directional valve hydraulically centered pilot fluid supply X = internal for spool types G, H, F, S, T (via pre-load valve by suitable high flow rate)	pst = 0.8 MPa pst = 1.0 MPa pst = 0.5 MPa pst = 0.45 MPa
Maximum pilot pressure	25 MPa
Pilot fluid volume for valve operation - three-position directional valve spring centered - two-position directional valve Three-position directional valve hydraulically centered - from neutral to operated position " a " " - from operated position " a " to neutral - from neutral to operated position " b " " - from operated position " b " to neutral	9.65 cm^3 19.30 cm^3 5.00 cm^3 4.65 cm^3 9.65 cm^3 4.65 cm^3
Total operating time of valve from neutral position to operated position at pilot pressure 5 MPa, 15 MPa, 25 MPa three-position valve spring centered two-position valve three-position valve hydraulically centered : solenoid „a” operation solenoid „b” operation	40 ms for pst = 5 MPa 30 ms for pst = 15 MPa 25 ms for pst = 25 MPa 80 ms for pst = 5 MPa 60 ms for pst = 15 MPa 45 ms for pst = 25 MPa 35 ms for pst = 5 MPa 30 ms for pst = 15 MPa 25 ms for pst = 25 MPa 40 ms for pst = 5 MPa 35 ms for pst = 15 MPa 25 ms for pst = 25 MPa
Total operating time from neutral to operated position increases for DC supply by	30 ms
Total operating time from operated to neutral position at pilot pressure 5MPa, 15 MPa, 25 MPa three-position valve spring centered two-position valve three-position valve hydraulically centered solenoid „a” operation solenoid „b” operation	60 ms 80 ms for pst = 5 MPa 50 ms for pst = 15 MPa 45 ms for pst = 25 MPa 35 ms for pst = 5 MPa 30 ms for pst = 15 MPa 25 ms for pst = 25 MPa 30 ms for pst = 5 MPa 30 ms for pst = 15 MPa 25 ms for pst = 25 MPa

Direct solenoid operated valve WE 6 (size 6) is used as a pilot valve. The control spool is held in neutral position by springs and in operated position by solenoid or detent. The spool is shifted by means of DC or AC solenoids.

Version A

- power input 26 W for AC
- holding current 46 VA for DC
- in-rush current 130 VA for DC
- duty rating 100 % ED

Version C

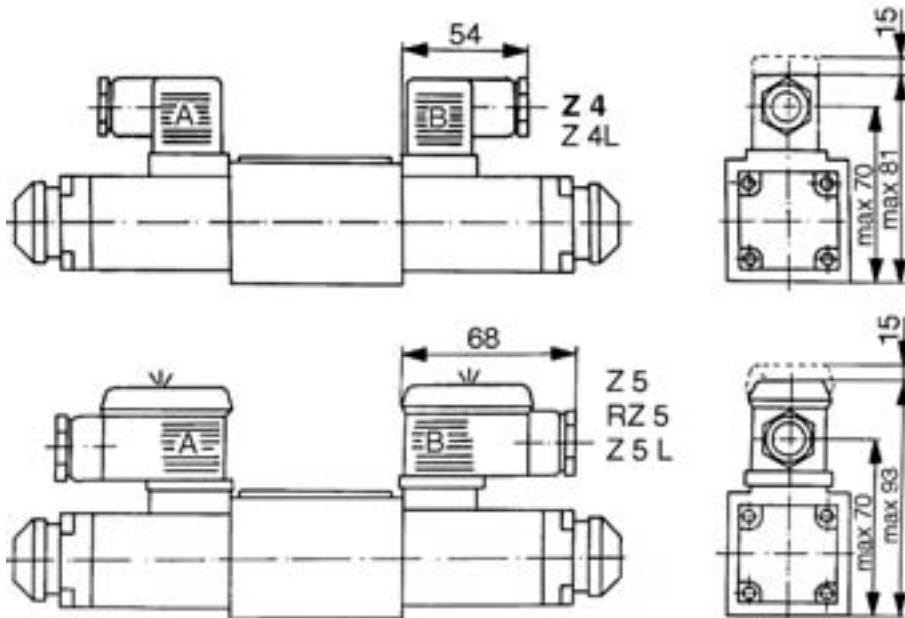
- power input 30 W for AC
- holding current 59 VA for DC
- in-rush current 200 VA for DC
- duty rating 100 % ED

- nominal voltage 24 V, 110 V for DC
220 V - 50 HZ, 110 V - 50 HZ for AC
- insulation to 40050 DIN : IP 65
- central connections :
with 1 solenoid - solenoid to terminal 1 and 2, earth conductor to terminal 5
with 2 solenoids - solenoid „a” to terminals 1 and 2, solenoid „b” to terminals 3 and 4, earth conductor to terminal 5

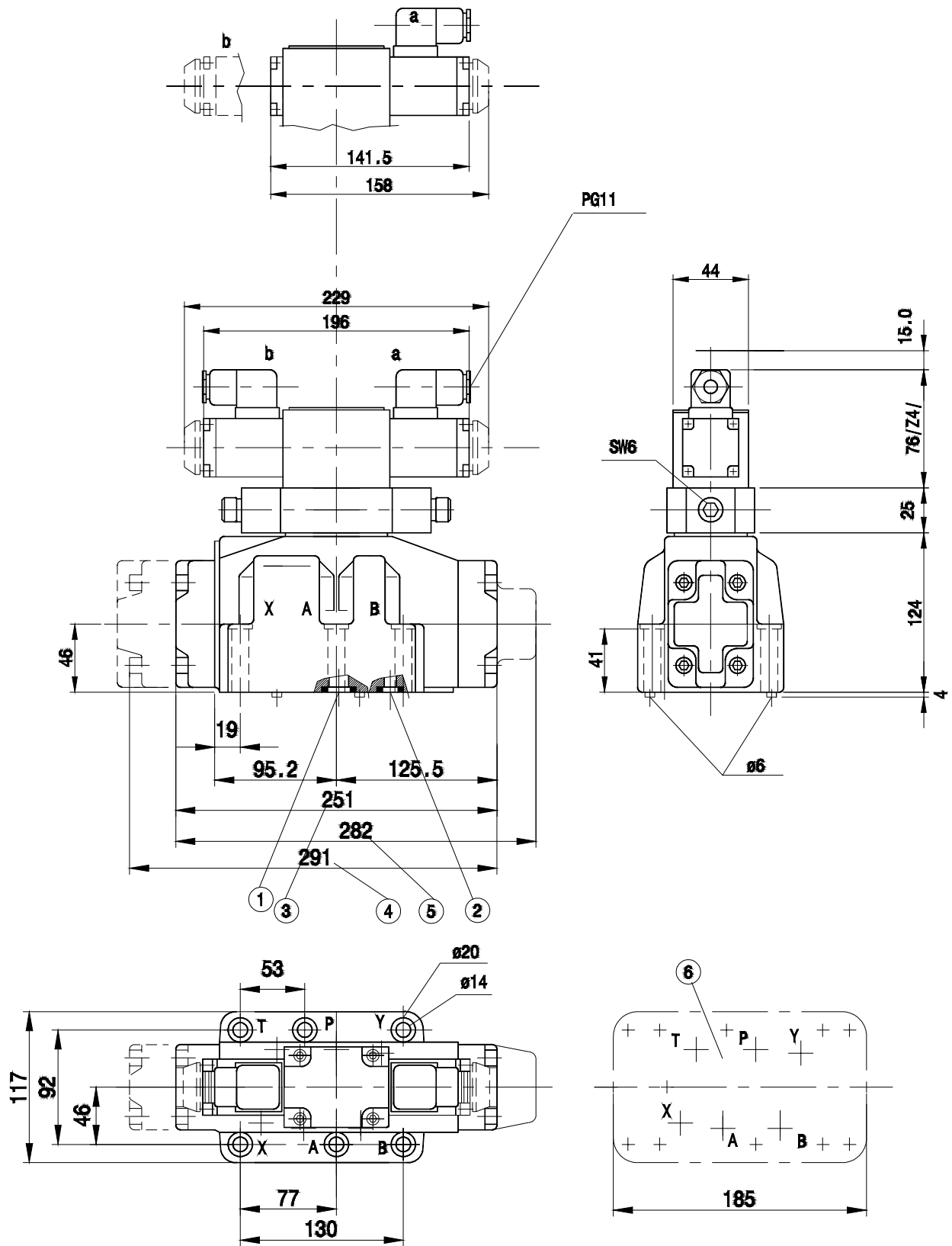
For the particular types of a main directional valve the following spool types of a pilot valve are designed :

- scheme J for three-position directional valve spring centered
- scheme D/O or D/OF for two-position directional valve
- scheme M for three-position directional valve hydraulically centered

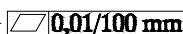
Electrical connection

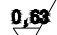


OVERALL DIMENSIONS



- item 1 - o-ring 27 × 3 - 4 pieces (A, B, P, T)
- item 2 - o-ring 19.2 × 3 - 3 pieces (L, X, Y)
- item 3 - 3-position valve spring centered or 2-position valve hydraulically centered
- item 4 - 3-position valve hydraulically centered
- item 5 - 2-position valve spring centered
- item 6 - mounting face of valve



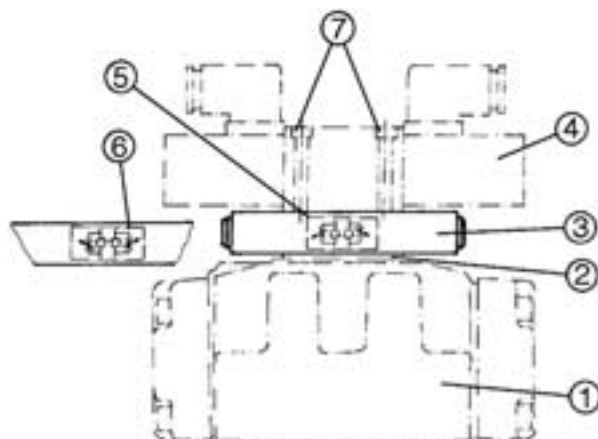


 Admissible surface roughness and flatness deviation for a subplate face

Installation method for pilot choke adjustment

Rotation of the adjusting screw SW 6 to the right increases and to the left decreases switching time of the main valve. The pilot choke adjustment is fixed by means of 4 bolts M5 × 80 - 10.9 (DIN 912) with tightening torque 5 Nm. The change of adjustment on inlet for adjustment on outlet is by rotating the pilot choke adjustment round its longitudinal axis.

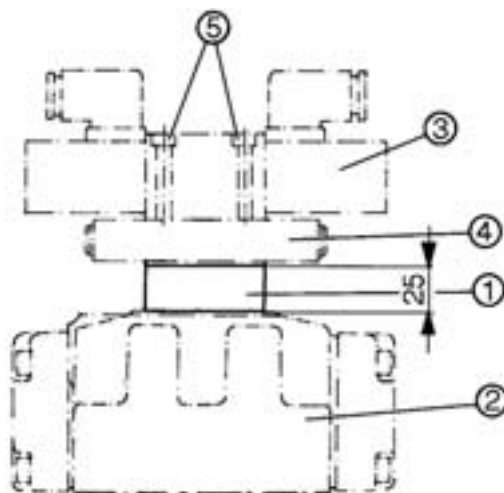
- item 1 - main valve
- item 2 - intermediate plate with sockets for o-rings.
- item 3 - pilot choke adjustment
 - adjustment on inlet - scheme 5
 - adjustment on outlet - scheme 6
- item 4 - pilot valve
- item 7 - fixing screws



Installation method for pressure ratio valve

When pilot pressure exceeds 25 MPa, the pressure ratio valve must be used. It causes reducing the pilot pressure in the ratio 1 : 0.66 to the main pressure. In this case the main pilot pressure must be increased by the factor $1 : 0.66 = 1.515$. The pressure ratio valve is mounted by means of 4 bolts M5 × 100 - 10.9 (DIN 912) with tightening torque 5 Nm

- item 1 - pressure ratio valve
- item 2 - main directional valve
- item 3 - pilot valve
- item 4 - pilot choke adjustment
- item 5 - fixing screws



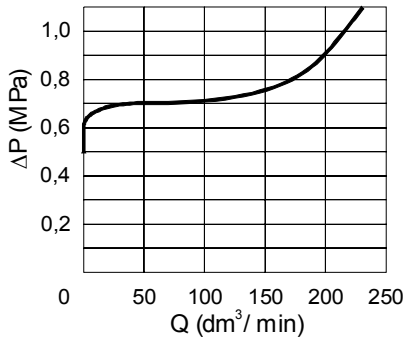
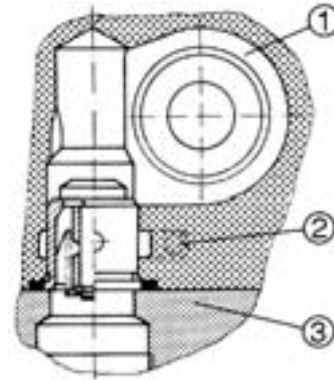
Installation method for pre-load valve

In valves with a low pressure bypass and internal pilot fluid feed the pre-load valve must be fixed in port P to obtain minimum pilot pressure.

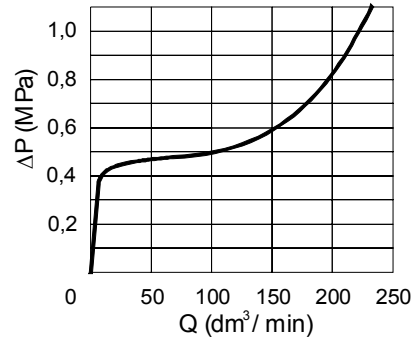
When using the pressure ratio valve D1 the valve P7 should be installed.

Cracking pressure - from 0.45 MPa or 0.7 MPa

- item 1 - port P
- item 2 - pilot fluid supply (port X)
- item 3 - connection plate



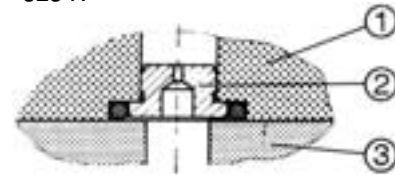
Operating curve for valve P7 measured at $v = 41$ mm²/s and $T = 323$ K



Operating curve for valve P 4.5 measured at $v = 41$ mm²/s and $T = 323$ K

Mounting method for throttle insert

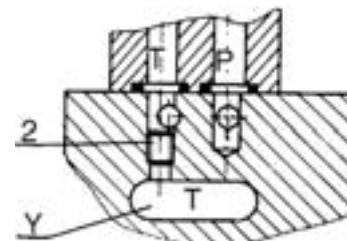
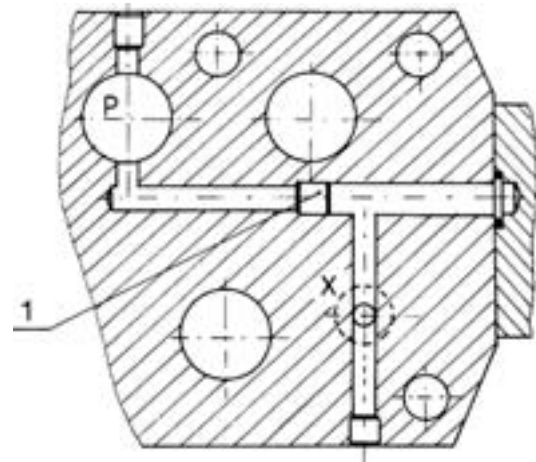
- item 1 - pilot valve
- item 2 - throttle insert
- item 3 - main valve



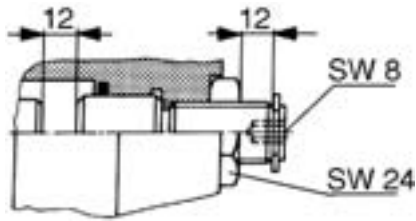
Pilot fluid feed and return

- pilot fluid feed external, return external (with no designation) - both screws M6 per ZN-09.010 (DIN 906-8.8) SW3 driven in ports X, Y,
- pilot fluid feed internal, return external (version E), screws in port X removed, screw in port Y driven in,
- pilot fluid feed internal, return internal (version ET), both screws removed from ports X, Y,
- pilot fluid feed external, return internal (version T), screw in port Y removed, screw in port X driven in.

To have access to the screw 1 the side cover of the main valve should be screwed off.

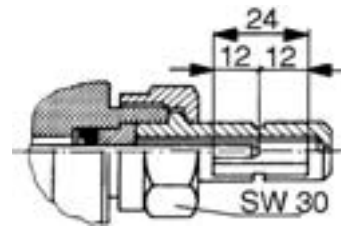


Main spool stroke adjustment



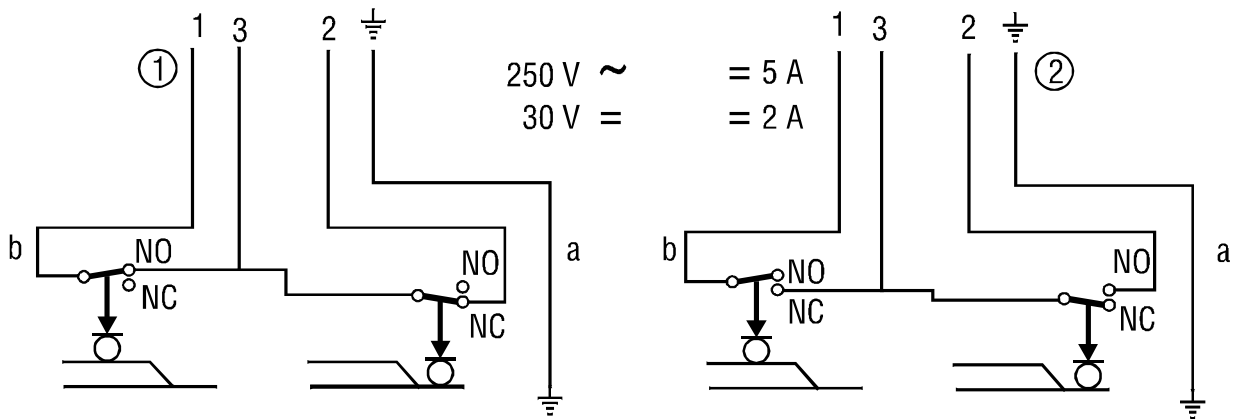
Adjustment of a stroke of the main spool is by loosening the locknut SW 24 and rotating the pin SW 6. Rotating to the right reduces the stroke of the spool (1 turn = 1.5 mm). While adjusting the stroke the control chamber must be at 0 pressure.

End position monitor



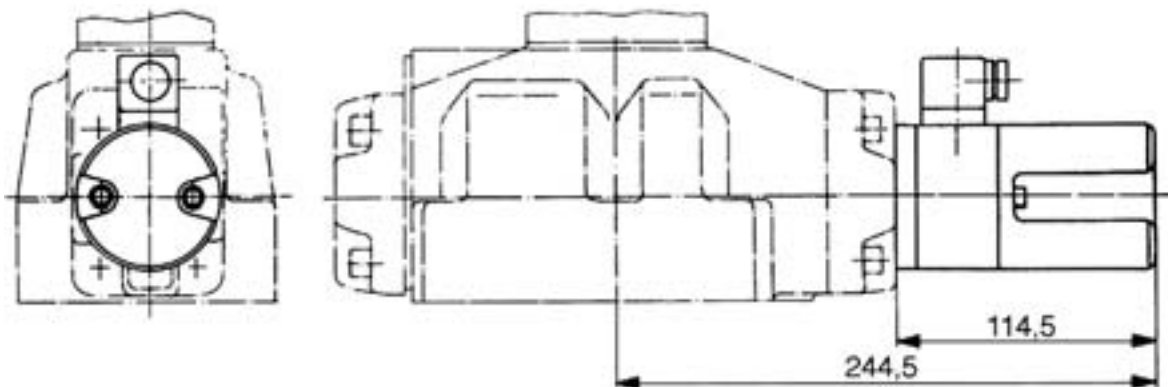
By loosening the clamp nut SW 30, the sleeve with viewing window may be rotated through 360° and set up in any position. While loosening the nut, the control chamber must be at 0 pressure.

Limit switch



Electrical scheme for limit switch

item 1 - scheme for limit switch, normally closed
 item 2 - scheme for limit switch, normally open

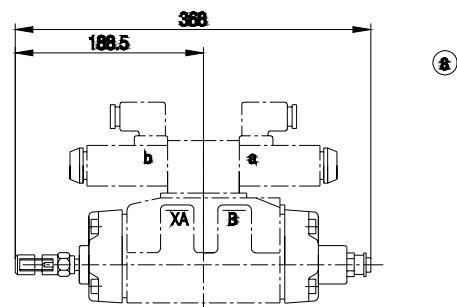
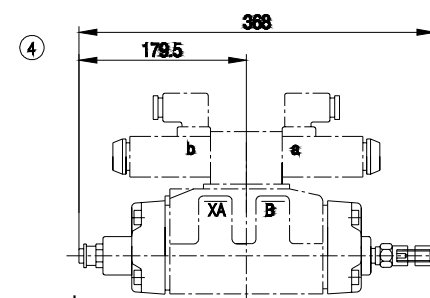
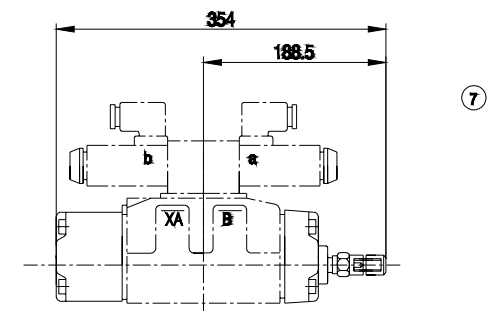
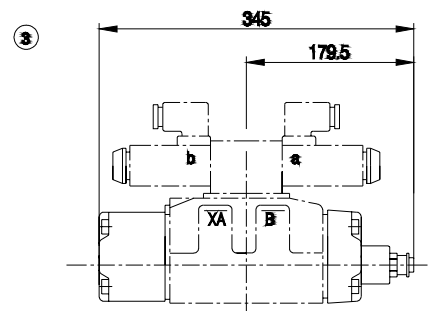
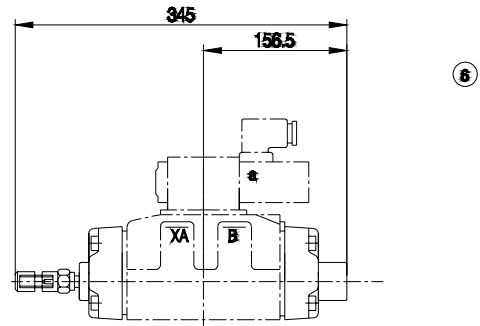
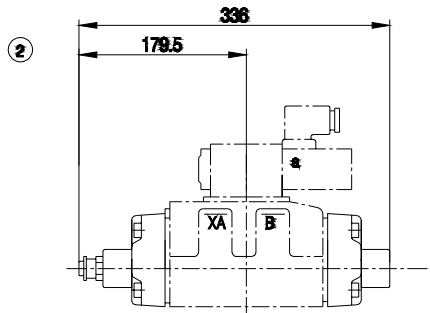
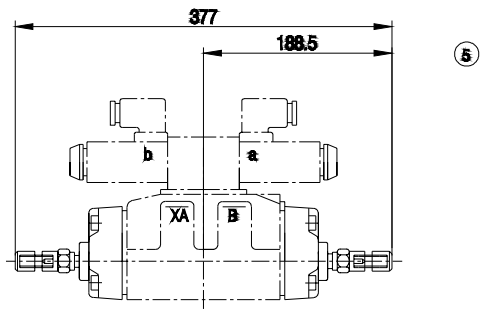
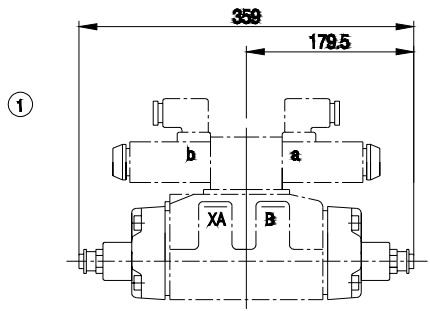


Installation of limit switch, optional (accessory)

- 2-position valve and 3-position valve, spring centered, optional limit switch 18, 22
- 2-position valve, hydraulically centered and 3-position valve,

- optional limit switch 19, 23
- 2-position valve, hydraulically centered and 3-position valve, spring centered, optional limit switch 20, 21, 24, 25

OVERALL DIMENSIONS FOR DIRECTIONAL VALVE WITH ACCESSORIES



Optional accessories

item 1 - 2-position valve hydraulically centered and 3-position valve spring centered, optional accessories 10, 11, 12,

item 2 - 2-position valve (spool schemes C - D - K - Z), optional accessory 11,

item 3 - 3-position valve, hydraulically centered, optional accessory 12,

item 4 - 2-position valve, hydraulically centered and 3-position valve spring centered, optional accessory 16

item 5 - 2-position valve, hydraulically centered and 3-position valve spring centered, optional accessories 13, 14, 15,

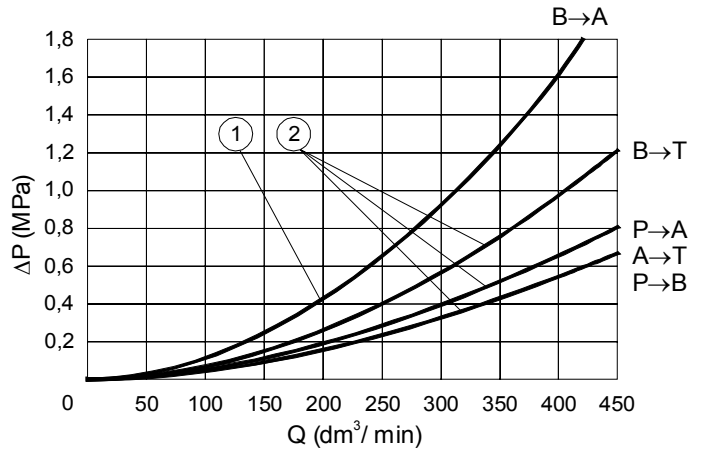
item 6 - 2-position valve (spool schemes C - D - K - Z), optional accessory 14,

item 7 - 3-position valve, hydraulically centered, optional accessory 15,

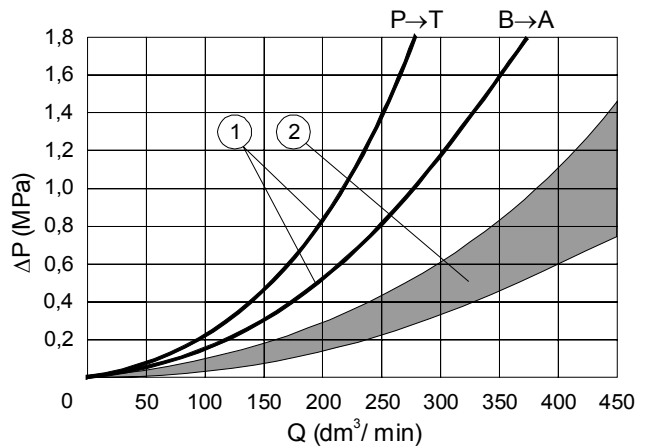
item 8 - 2-position valve, hydraulically centered and 3-position valve spring centered, optional accessory 17.

PERFORMANCE CURVES measured at $v = 41 \text{ mm}^2/\text{s}$ and $T = 323 \text{ K}$

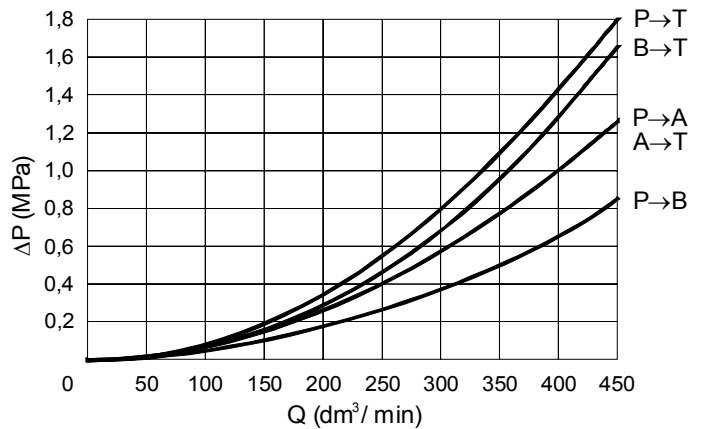
Flow curves



Spool types E, W, R
 1 - Spool types R
 2 - Spool type R, E, W



Spool type S and others
 1 - Spool type S
 2 - Other spool types



Spool types G, T

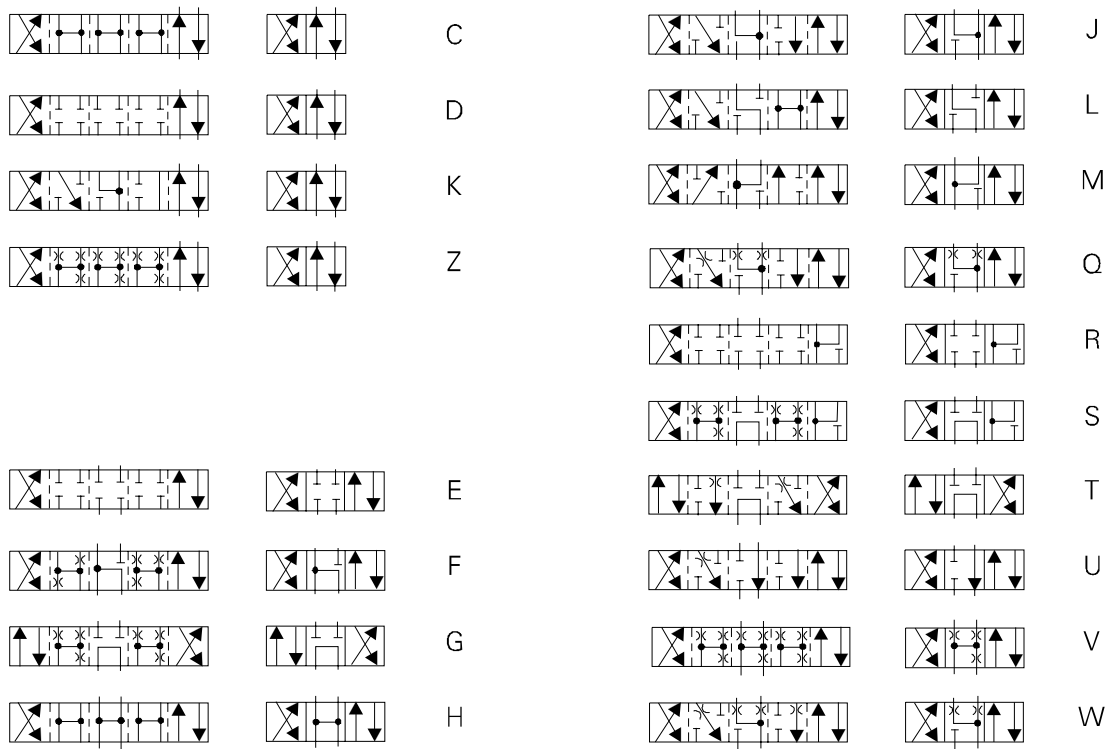
Flow limits

2 and 3-position valves, spring centered					
Spool types	Pressure (MPa)				
	7	14	21	28	35
E, J, L, M, Q, R, U, F, V, W, C, D, K, Z	450	450	370	320	300
G, H, S, T	360	250	210	180	160

Note:

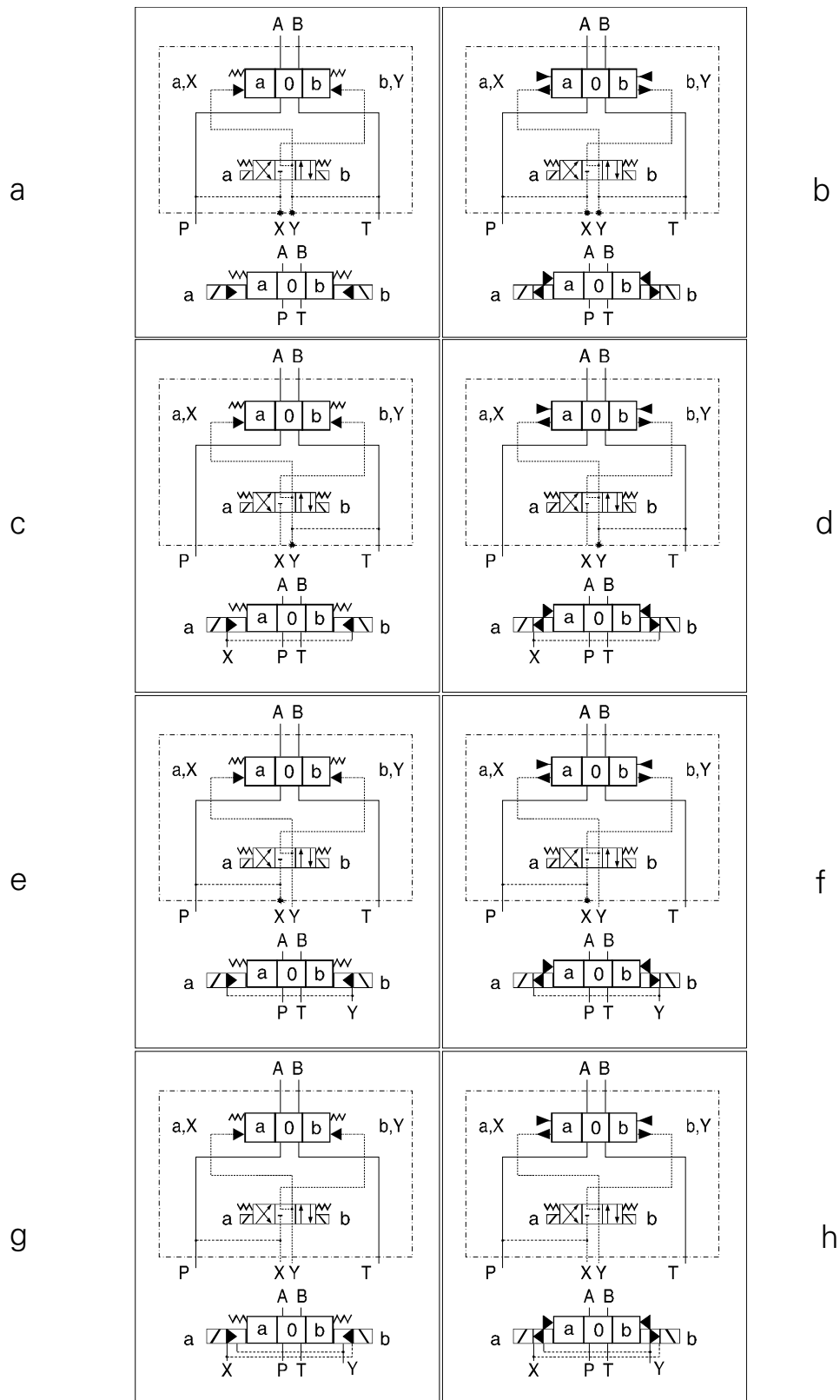
The flow limits refer to typical application of 4-way directional control valve i.e. with using two lines e.g. P to A and B to T at the same time. In case of using 4-way directional control valve with one flow line e.g. P to A (B plugged) or A to T (B plugged) actual flow limits are considerably lower.

SCHEMES
Spool schemes



Flow section in position „0” for spool type W - 3%, Q, V - 16%

Detailed and simplified schemes for directional valves

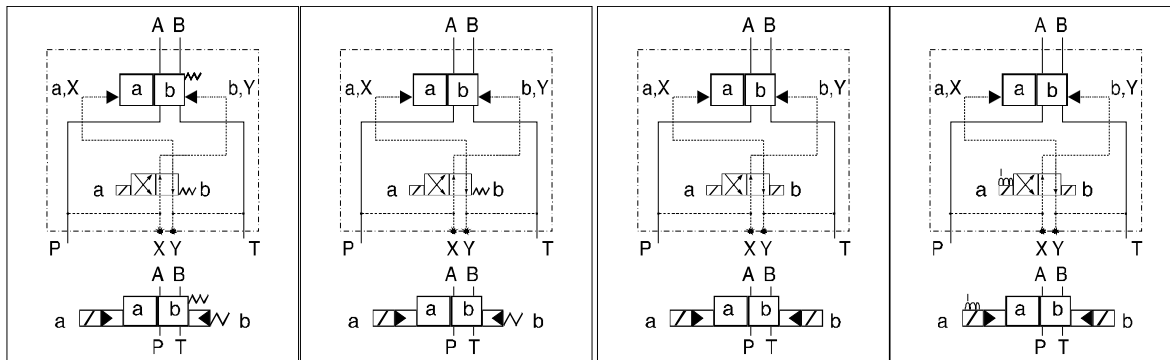


Schemes for 3-position valves

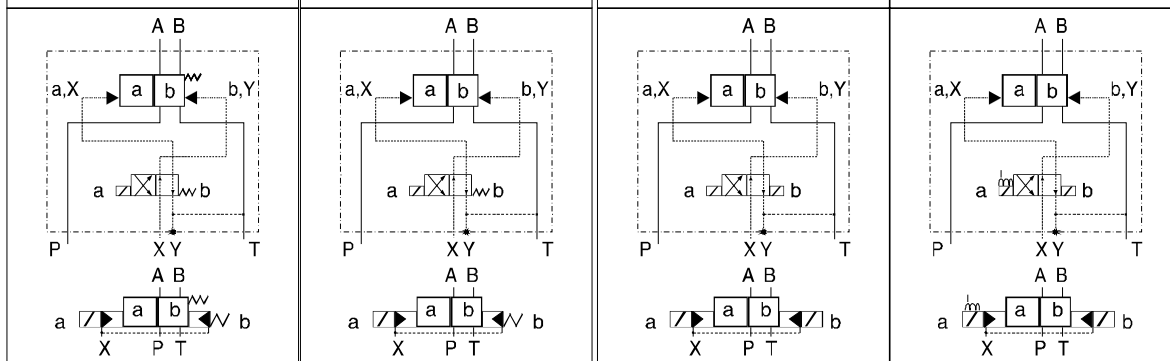
1. Valves spring centered
2. Valves hydraulically centered

a, b - X = internal feed Y = internal return
 c, d - X = external feed Y = internal return
 e, f - X = internal feed Y = external return
 g, h - X = external feed Y = external return
 b, d - impossible

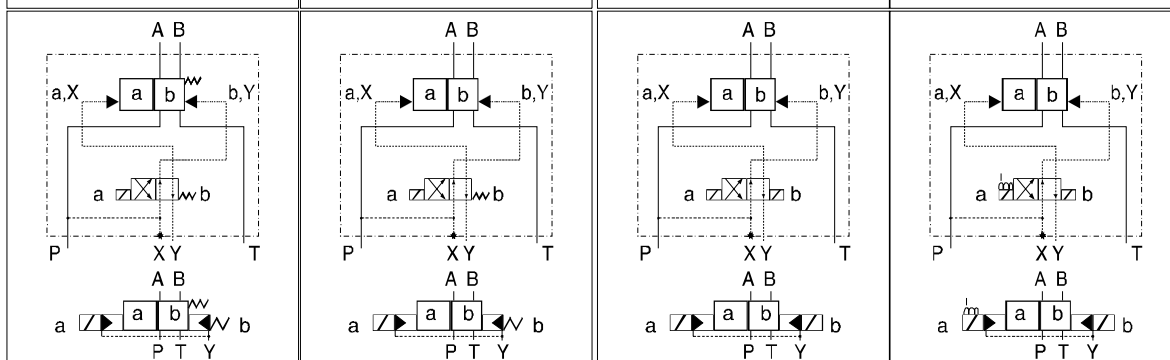
1



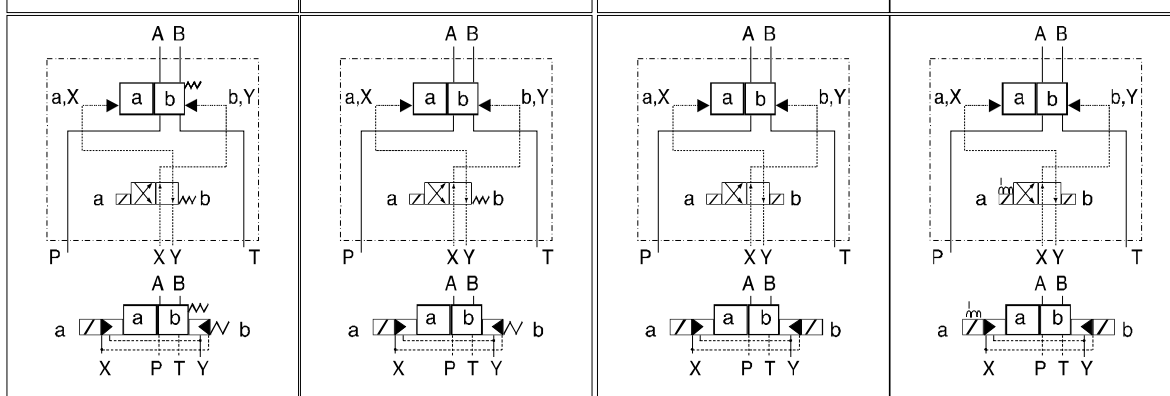
2



3



4



1. X = internal feed Y = internal return

Type : ... 4WEH .../... ET
 Type : ... 4WEH ...H./... ET
 Type : ... 4WEH ...H./O... ET
 Type : ... 4WEH ...H./OF.. ET

2. X = external feed Y = internal return

Type : ... 4WEH .../... T
 Type : ... 4WEH ...H./... T
 Type : ... 4WEH ...H./O... T
 Type : ... 4WEH ...H./OF... T

3. X = internal feed Y = external return

Type : ... 4WEH .../... E
 Type : ... 4WEH ...H./... E
 Type : ... 4WEH ...H./O... E
 Type : ... 4WEH ...H./ OF... E

4. X = external feed Y = external return

Type : ... 4WEH .../...
 Type : ... 4WEH ...H./...
 Type : ... 4WEH ...H./O...
 Type : ... 4WEH .../... OF ...

HOW TO ORDER

Orders coded in the way showed below should be forwarded to the manufacturer.

-4 WEH 22

Version

High pressure up to 35 MPa = H
 Normal pressure up to 28 MPa = no code

Spool positioning

Spring centering = with no designation
 Hydraulic off-set = H

Control spool type

See spool schemes on page 11

Series number

10 = 10
 (10 - 19) - installation and connection dimensions unchanged

Spool positioning (applicable to 2-position spools hydraulically centered HC, HD, HK, HZ only)

Without return spring = O
 Without return spring with detent (detent in pilot valve only) = OF
 Spring return = with no code

Pilot valve type

Directional spool valve size 6 with wet solenoids \varnothing 35 or \sphericalangle 35 = 6A
 * Directional spool valve size 6 with wet solenoids \varnothing 44 or \sphericalangle 44 = 6C

Power supply (for pilot valve)

DC 24 V = G 24
 DC 110 V = G 110
 AC 110 V, 50 Hz = W 110-50
 AC 220 V, 50 Hz = W 220-50

Emergency operation for solenoids

Without emergency button = with no code
 With emergency button = N

Pilot fluid feed

External pilot fluid feed, external pilot fluid return = with no code
 Internal pilot fluid feed, external pilot fluid return = E
 Internal pilot fluid feed, internal pilot fluid return = ET
 External pilot fluid feed, internal pilot fluid return = T

Pilot choke adjustment

Without pilot choke adjustment = no designation
 Adjustment, meter-in = S
 Adjustment, meter-out = S2

* Recommended for use when pilot pressure exceeds 20 MPa

						*
--	--	--	--	--	--	---

Additional requirements in clear text (to be agreed with the manufacturer)

Sealing

For fluids on mineral oil base = with no designation
 For fluids on phosphate ester base = V

Pressure ratio valve

Without pressure ratio valve = with no designation
 With pressure ratio valve = D1

Pre - load valve

Without pre - load valve = with no designation
 Pre - load valve with cracking pressure 0.45 MPa = P 4.5
 Pre - load valve with cracking pressure = P 7

Throttle insert

Without throttle insert = with no designation
 Throttle insert \varnothing 0.8 mm = B 08
 Throttle insert \varnothing 1.0 mm = B10
 Throttle insert \varnothing 1.2 mm = B12

Accessories

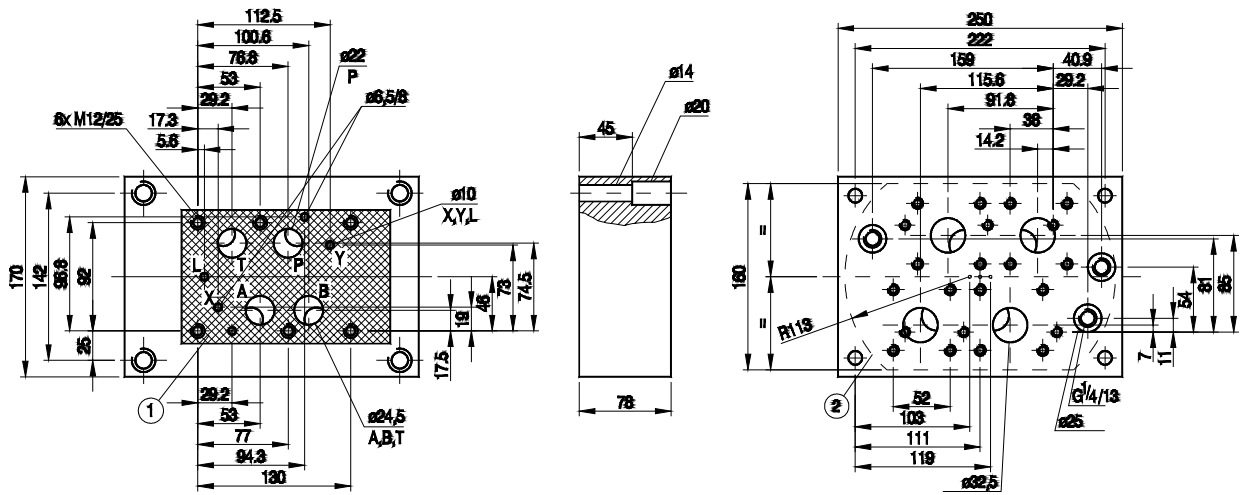
Without accessories = with no designation
 Stroke limiter on valve ends A and B = 10
 Stroke limiter on valve end A = 11
 Stroke limiter on valve end B = 12
 End position monitor on valve ends A and B = 13
 End position monitor on valve end A = 14
 End position monitor on valve end B = 15
 Stroke limiter on valve end A and end position monitor = 16
 Stroke limiter on valve end B and end position monitor on valve end A = 17
 Limit switch on end A normally closed = 18
 Limit switch on end B normally closed = 19
 Stroke limiter on valve end A, limit switch on valve end B normally closed = 20
 Stroke limiter on valve end B, limit switch on valve end A normally closed = 21
 Limit switch on valve end A normally open = 22
 Limit switch on valve end B normally open = 23
 Stroke limiter on valve end A, limit switch on valve end B normally open = 24
 Stroke limiter on valve end B, limit switch on valve end A normally open = 25

Electrical connections

see schemes on page 4

Coding example : 4WEH 22 E 10/ 6 AG 24 NET Z4

Subplate G 154/08



- 1 - Mounting face of directional valve
- 2 - Recess in subplate face

Bolts fixing directional valve
 6 pcs M12 x 60 - 10.9 per PN/M - 82302 (DIN 912 - 10.9)
 Md = 105 Nm

Port L for directional valve with hydraulic off-set only.
 Mounting bolts and subplate must be ordered separately.

NOTES :

PONAR WADOWICE S.A.
ul. Wojska Polskiego 29
34-100 Wadowice
tel. 033/ 823 39 43, 823 30 41
fax 033/ 873 48 80
e-mail: ponar@ponar-wadowice.pl

